

# NorLock

by **trusscore**

Quick and easy to install  
tongue and groove  
divider planks



NorLock™ by Trusscore® divider planks are a versatile and cost-effective building solution, uniquely designed for superior strength and durability, requiring no secondary reinforcement.

Primarily used in agricultural, industrial, and commercial facilities for both interior walls and partitions. NorLock divider planks' structurally advanced construction features more density per square foot, making it ready for all types of use without reinforcement, saving time and cost.

The durable planking is able to withstand the extra weight of equipment, shelving, and other items fastened directly to it.

The non-porous smooth panels are easy to clean and maintain, heavy-duty, and impact resistant, designed to withstand the most demanding environments.

## Applications

- ▮ Livestock facilities and animal containment
- ▮ Car washes
- ▮ Dog kennels
- ▮ Food processing plants
- ▮ And many more

## Features and Benefits

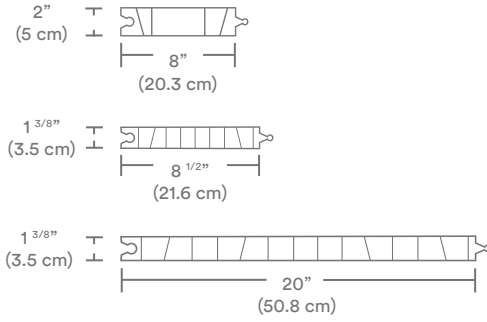
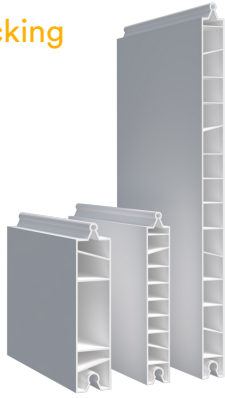
- No external support necessary
- Tight fitting tongue and groove
- Non-porous surface is easy to clean
- Structurally supports heavy items directly afixed
- Cut openings directly into NorLock planks and walls
- High impact tested
- Lightweight and strong panels for easier transport and installation
- Available in multiple widths and lengths, including one-piece creep for hog applications
- Environmentally sustainable – 100% recyclable
- Bright white appearance with UV stabilizers to prevent discoloring and cracking
- Full range of trims and accessories
- Meets CFIA(Canada) and FDA & USDA (US) approval requirements for walls and ceilings
- Flame Spread Classification of 10 in Canada, per CAN/ULC S102 and 5 in USA, per ASTM E84



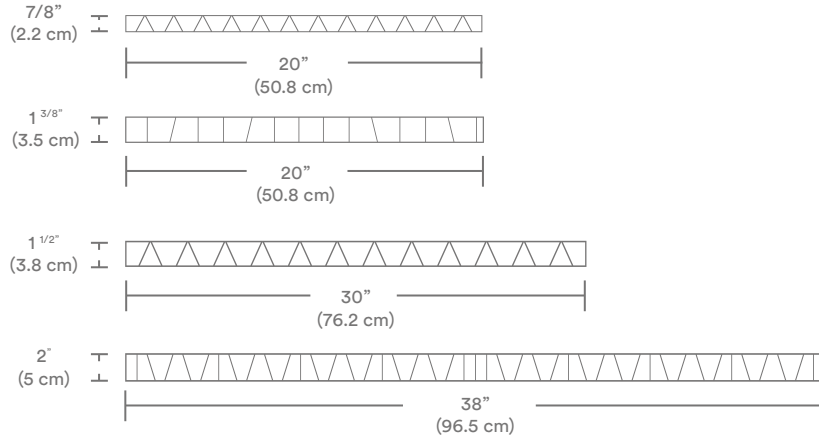
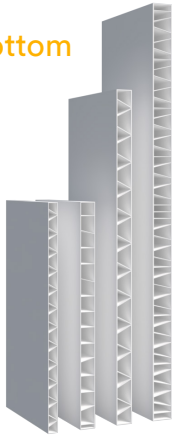
# Technical Specifications

## Plank Dimensions

### Interlocking



### Flat top/bottom



Panel Type	Width	Height	Available Trims				Available Accessories			
			U Channel	U Channel 2 piece	Corner Channel	H Channel	Drop Rod End	End Cap	End Rod	Top Cap
Interlocking	2" (5.0 cm)	8" (20.3 cm)	✓					✓	✓	
	1 3/8" (3.5 cm)	8 1/2" (21.6 cm)	✓	✓	✓		✓	✓	✓	
	1 3/8" (3.5 cm)	20" (50.8 cm)	✓	✓	✓		✓	✓	✓	
Flat Top/ Bottom	7/8" (2.2 cm)	20" (50.8 cm)	✓			✓				✓
	1 3/8" (3.5 cm)	20" (50.8 cm)	✓		✓			✓	✓	✓
	1 1/2" (3.8 cm)	30" (76.2 cm)	✓		✓	✓		✓	✓	
	2" (5.0 cm)	38" (96.5 cm)	✓					✓	✓	

Livestock Applications:  Creep  Nursery  Finish

### Length

NorLock by Trusscore is available in multiple lengths. Contact your retailer for size options.

Learn more about NorLock by Trusscore

Start the conversation today with one of our sales representatives.

hello@trusscore.com | 1.888.418.4679 | trusscore.com/norlock