

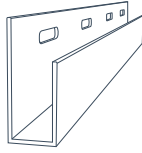
Vertical Panel Installation

trusscore Wall&CeilingBoard Quickstart Guide

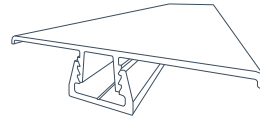
Materials



Trusscore Wall&CeilingBoard
Panels



1/2" J Trim



H-Channel Snap-In Kit
Optional



Screws
1-1/4" Pan/Truss head

Material quantities will vary by project. For more trim options and configurations, visit trusscore.com/trims.

Tools required



Drill/Screw Gun



Level



Utility Knife



Safety Glasses



Tin Snips



Putty Knife



Ladder and/or
Scaffolding



Face Mask



Radial Arm Saw or
Handheld Power Saw

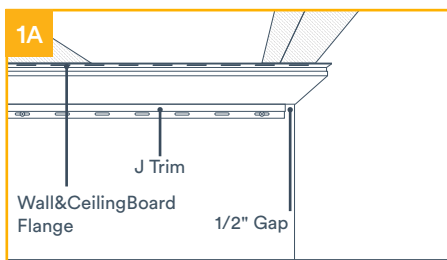


Tape Measure

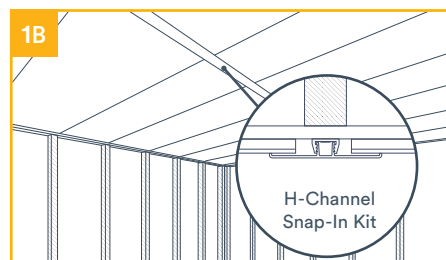
What to know before starting

- Acclimatize panels to room temperature for at least 24 hours before installation
- Panels are best cut with a blade designed to cut vinyl products or a fine-tooth blade installed in the reverse direction [\[Watch How\]](#). Use tin snips to cut trim and avoid fully closing the blades while cutting for best results [\[Watch How\]](#)
- Don't overtighten screws to allow for expansion and contraction of panels and maintain a 1/4 in clearance between the ends of each panel and any adjacent trims. Panels should be able to slide up and down slightly once fastened
- The final panel of a wall or ceiling area may need to be trimmed (ripped) to fit [\[Watch How\]](#)
- For vertical orientation, when installing on the walls and ceiling of a project, it is recommended to start with the ceiling first

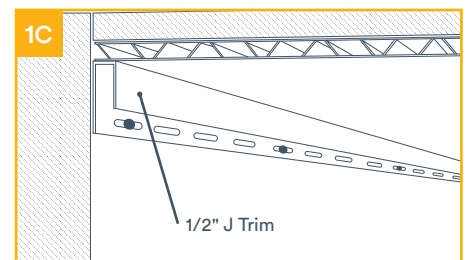
Step 1: Ceiling



Install panels perpendicular to the joist direction. Position the first panel so the screw flange is pointing away from the wall. Fasten the panel through the screw flange at each joist. Immediately install the J Trim for the top of the wall below, by pushing the trim tight to the face of the ceiling panel(s) with channel facing away from the panels and fasten to the wall. Ensure the length of trim is cut 1/2 in short in one corner.

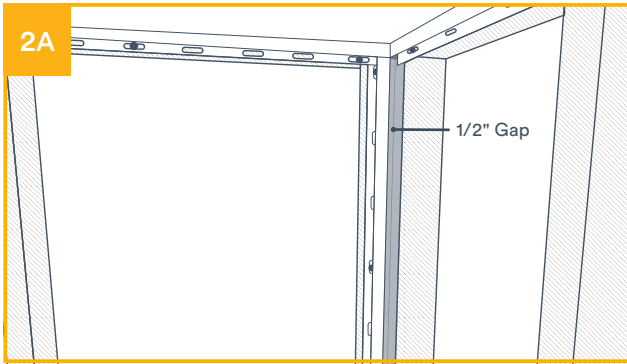


Continue installing the remaining Wall&CeilingBoard panels. If your ceiling dimensions exceed the longest available panel length of 20 ft, use H Channel Snap-In Trim to join panel sections.

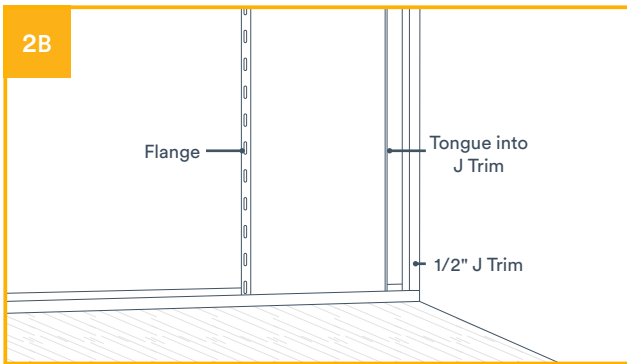


Install the last panel by inserting it into the groove of the previous panel and then immediately install the J Trim as mentioned in step 1A (no need to cut the J Trim 1/2 in short here).

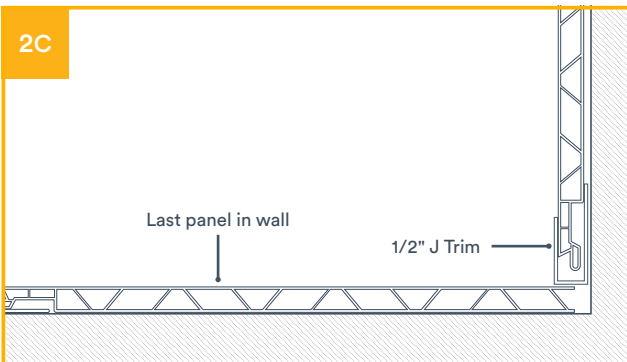
Step 2: Walls



Begin by installing Base Trim or J Trim along the bottom of your walls. Wherever you cut the top J Trim short at the corner, ensure you do the same for the bottom trim piece. Using J Trim or Inside Cove Corner Trim for your corners, start where you cut the J Trim 1/2 in short and offset the vertical trim piece from the corner 1/2 in to allow the last wall panel to be inserted behind. Install the remaining J Trim at the top of your walls and perimeter trims around openings like windows and doors.

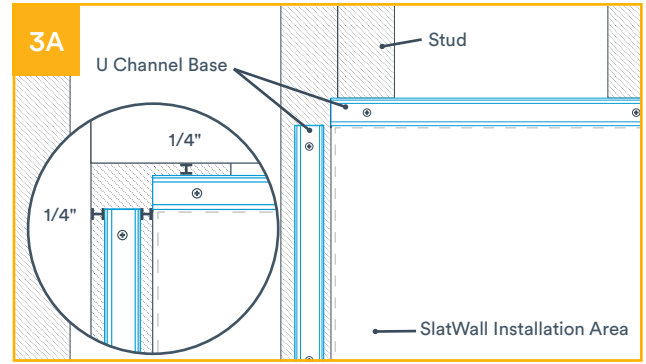


Starting in the corner where you cut the J Trim 1/2 in short, position the panel so the screw flange is pointing away from the wall. Use a level to ensure straightness and then fasten every 24 in. Continue installing the remaining panels, cutting/notching for openings as appropriate. After the last panel on the wall has been installed, place the next corner trim piece directly beside that panel with the channel facing away from the panels ensuring it is pushed tight to the corner and fasten to the wall. Install the panels and corner trims this way for the remaining walls.

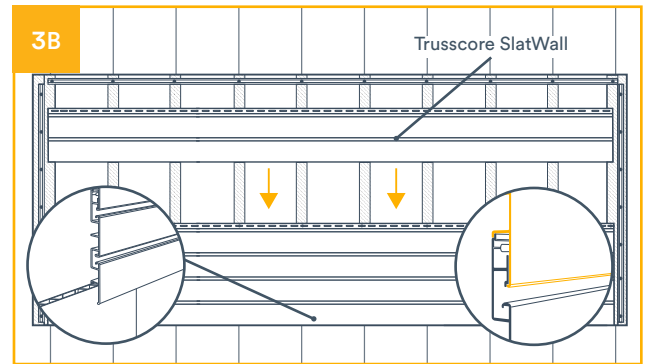


When you reach the corner you started with, insert the panel behind the trim piece where you left the 1/2 in gap. Ensure to rip the panel to allow for adequate space to fully insert it behind the trim and then slide it back toward the groove on the previously installed panel pressing firmly together for a proper connection.

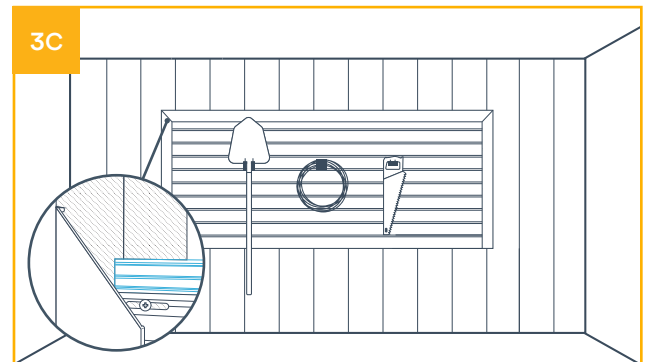
Step 3: Integrating Trusscore SlatWall (recommended)



Installing Trusscore SlatWall too? Great — let's back up a step. Before installing Wall&CeilingBoard on your walls plan out and mark your intended SlatWall installation area, leaving adequate space to install the U Channel Base on the top and sides, which will accept the H Channel Snap-In Trim at the end.



Once the installation area is marked, and Wall&CeilingBoard panels are installed, cut SlatWall panels to size and install one at a time, starting from the bottom. Rest the bottom lip on the back of the SlatWall panel directly on top of the Wall&CeilingBoard panel below it and fasten through the screw flange into each stud location*. Place the next panel on top of the previously installed panel, aligning the ends and apply downward pressure to interlock the panels. You will feel and hear a "snap".



Once all panels are installed, cut H Channel Trim to size, and snap it into the U Channel Base to cover seams at the sides and top for a smooth transition from SlatWall to Wall&CeilingBoard. Add your choice of standard 3 in SlatWall accessories and enjoy your newly organized, upgraded space!

* Trusscore SlatWall panels must be fastened to studs every 16 in on-center minimum. Installation of blocking may be required for greater stud intervals.

We're here to help. Reach out for additional support.
hello@trusscore.com | 1.888.418.4679

Copyright © 2024 Trusscore Inc. Trusscore Wall&CeilingBoard and Trusscore Slatwall are trademarks of Trusscore Inc. All other trademarks are the property of their respective owners.
Specifications are subject to change. T-QS101V-001 07/2024

Looking for more?
trusscore.com/install