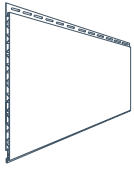
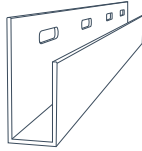


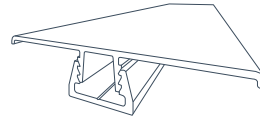
Materials



Trusscore Wall&CeilingBoard Panels



1/2" J Trim



H-Channel Snap-In Kit
Optional



Screws
1-1/4" Pan/Truss head

Material quantities will vary by project. For more trim options and configurations, visit trusscore.com/trims.

Tools required



Drill/Screw Gun



Level



Utility Knife



Safety Glasses



Tin Snips



Putty Knife



Ladder and/or Scaffolding



Face Mask



Radial Arm Saw or Handheld Power Saw

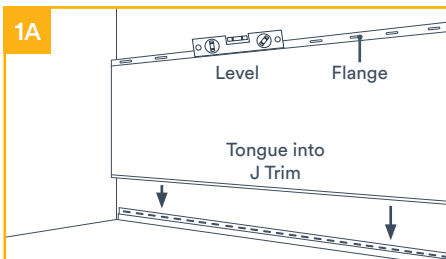


Tape Measure

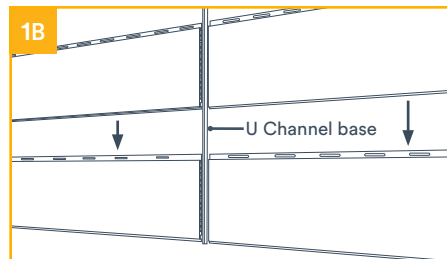
What to know before starting

- Acclimatize panels to room temperature for at least 24 hours before installation
- Panels are best cut with a blade designed to cut vinyl products or a fine-tooth blade installed in the reverse direction [\[Watch How\]](#). Use tin snips to cut trim and avoid fully closing the blades while cutting for best results [\[Watch How\]](#)
- Don't overtighten screws to allow for expansion and contraction of panels and maintain a 1/4 in clearance between the ends of each panel and any adjacent trims. Panels should be able to slide side to side slightly once fastened
- The final panel of a wall or ceiling area may need to be trimmed (ripped) to fit [\[Watch How\]](#)
- For horizontal orientation, when installing on the walls and ceiling of a project, it is recommended to start with the walls first

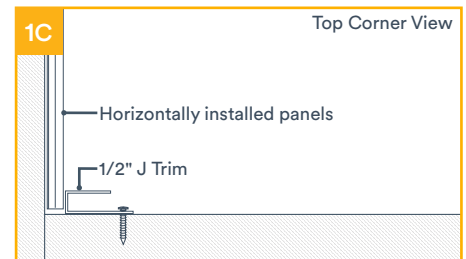
Step 1: Walls



Begin by installing Base Trim or J Trim along the bottom of each wall. Then install perimeter trims required around openings like windows and doors. Choose one wall and then starting from the bottom, position the panel so the screw flange is pointing away from the floor. Use a level to ensure straightness before fastening.

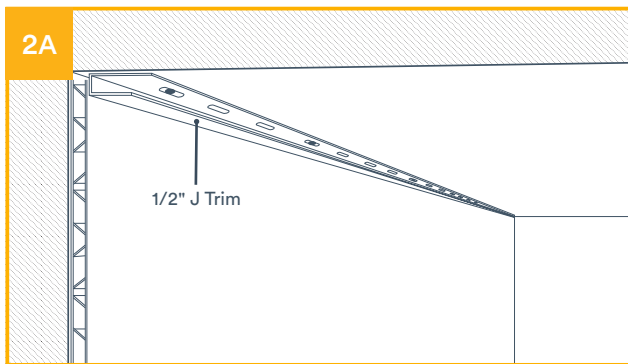


Continue installing the remaining Wall&CeilingBoard panels. If your wall dimensions exceed the longest available panel length of 20 ft, use the H Channel Snap-In Trim to join panel sections.

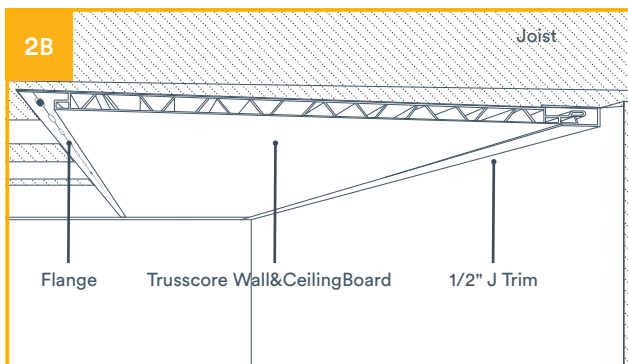


After you have installed panels up to the ceiling, install J Trim or Inside Cove Corner Trim in each corner of the wall with panels. Ensure the trim is placed on top of the installed panels and pushed tight to the corner, then fasten to the wall. Move to the opposite wall and install panels and trim in the same manner as the first wall. Install panels on the remaining walls by inserting into the vertical trim pieces and sliding down.

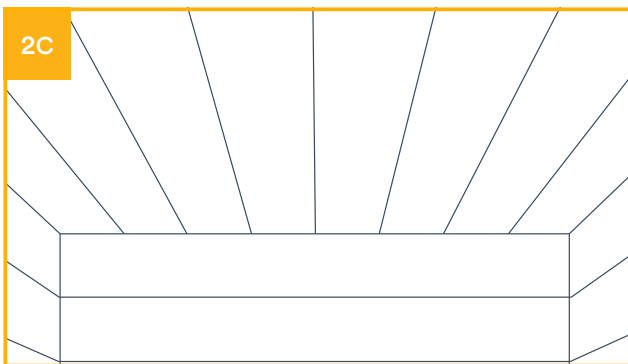
Step 2: Ceiling



Begin by installing J Trim around the ceiling perimeter. Ensure the trim is pushed tight to the corner and fasten to the ceiling.

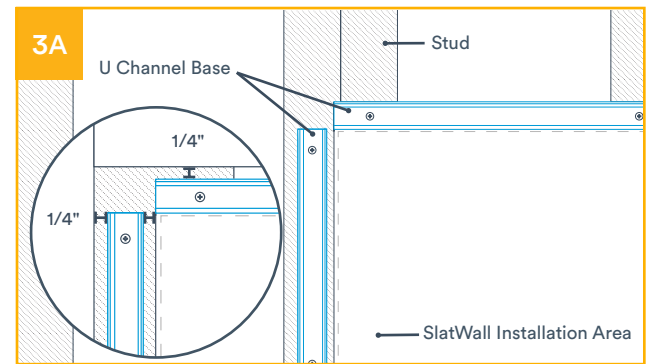


Trusscore Wall&CeilingBoard panels should be installed perpendicular to ceiling joists. If the joists are not visible, use a stud finder to mark their location. Position the first panel so the screw flange is pointing away from the wall and fasten to each joist.

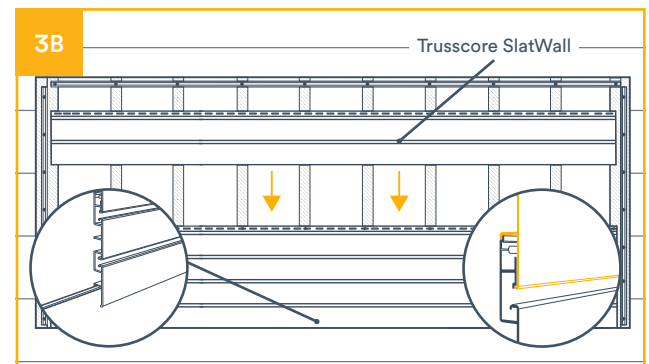


Continue installing panels across the ceiling. Install the last ceiling panel by inserting it into the groove of the previous panel and into the adjoining trims on each side. Use a putty knife to help panel edges fit into the trim.

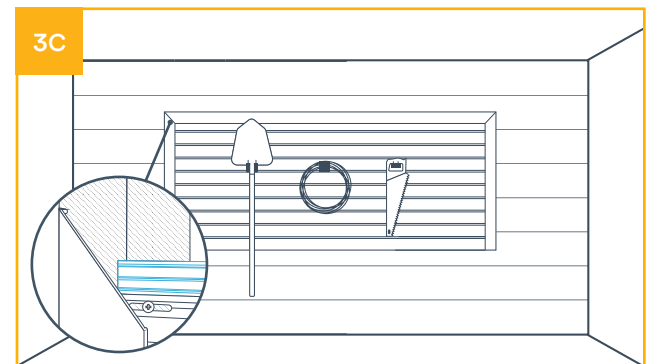
Step 3: Integrating Trusscore SlatWall (recommended)



Installing Trusscore SlatWall too? Great — let's back up a step. Before installing Wall&CeilingBoard on your walls plan out and mark your intended SlatWall installation area, leaving adequate space to install the U Channel Base on the top and sides, which will accept the H Channel Snap-In Trim at the end.



Once the installation area is marked, and Wall&CeilingBoard panels are installed, cut SlatWall panels to size and install one at a time, starting from the bottom. Rest the bottom lip on the back of the SlatWall panel directly on top of the Wall&CeilingBoard panel below it and fasten through the screw flange into each stud location*. Place the next panel on top of the previously installed panel, aligning the ends and apply downward pressure to interlock the panels. You will feel and hear a "snap".



Once all panels are installed, cut H Channel Trim to size, and snap it into the U Channel Base to cover seams at the sides and top for a smooth transition from SlatWall to Wall&CeilingBoard. Add your choice of standard 3 in SlatWall accessories and enjoy your newly organized, upgraded space!

* Trusscore SlatWall panels must be fastened to studs every 16" on-center minimum. Installation of blocking may be required for greater stud intervals.

We're here to help. Reach out for additional support.
hello@trusscore.com | 1.888.418.4679

Copyright © 2024 Trusscore Inc. Trusscore Wall&CeilingBoard and Trusscore Slatwall are trademarks of Trusscore Inc. All other trademarks are the property of their respective owners.
Specifications are subject to change. T-QS101H-001 07/2024

Looking for more?
trusscore.com/install