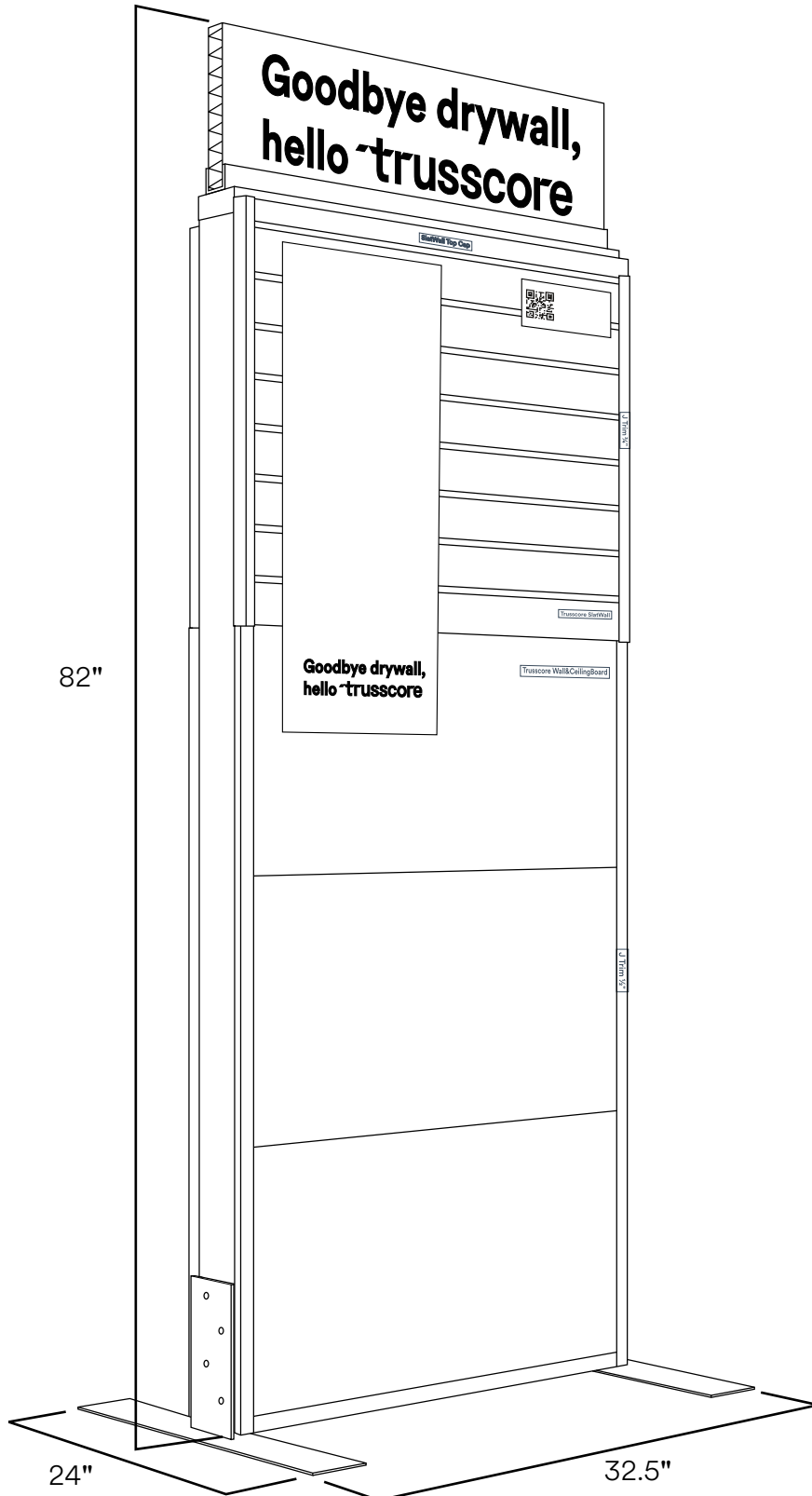
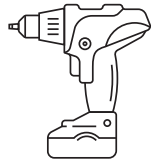
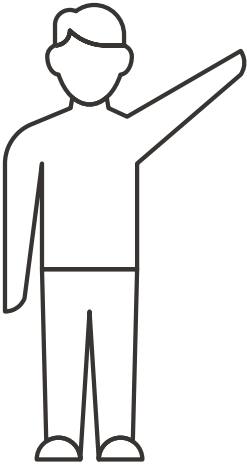
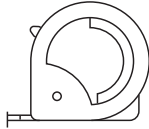


trusscore Freestanding Display Planogram

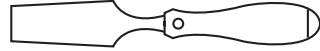




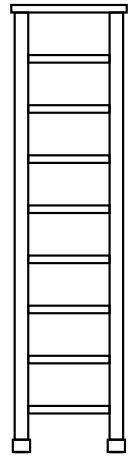
Drill/Screw Gun



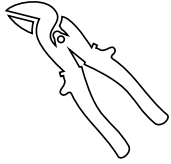
Tape Measure



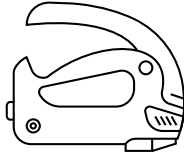
Putty Knife



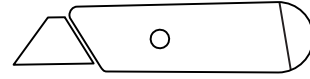
Ladder



Tin Snips

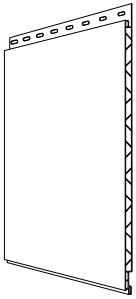


Staple Gun

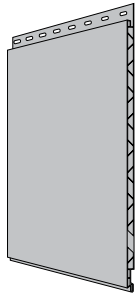


Utility Knife

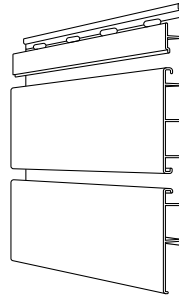
Trusscore Provided



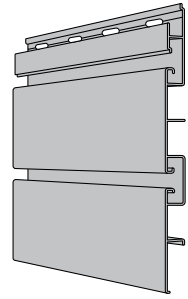
Wall&CeilingBoard
White
TC1610



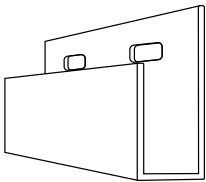
Wall&CeilingBoard
Gray
GTC1610



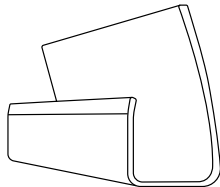
SlatWall
White
TL1841608



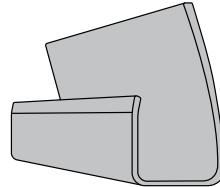
SlatWall
Gray
GTL1841608



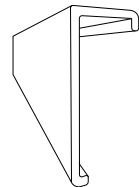
1/2" J Trim
White
TCT12J10



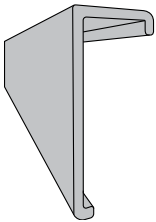
3/4" J Trim
White
RCT34J10



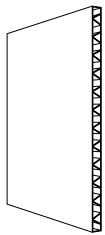
3/4" J Trim
Gray
GRCT34J10



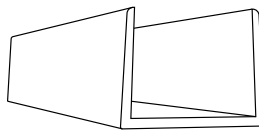
SlatWall Top Cap
White
TLT58J08



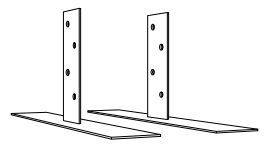
SlatWall Top Cap
Gray
GTLT58TC08



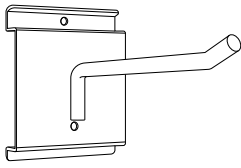
NorLock 750
Trusscore Branded
NL750



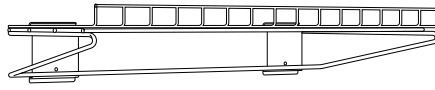
U Channel Trim
White
NL00UC201.5



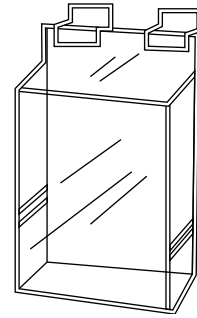
Feet



Single Hook x 2

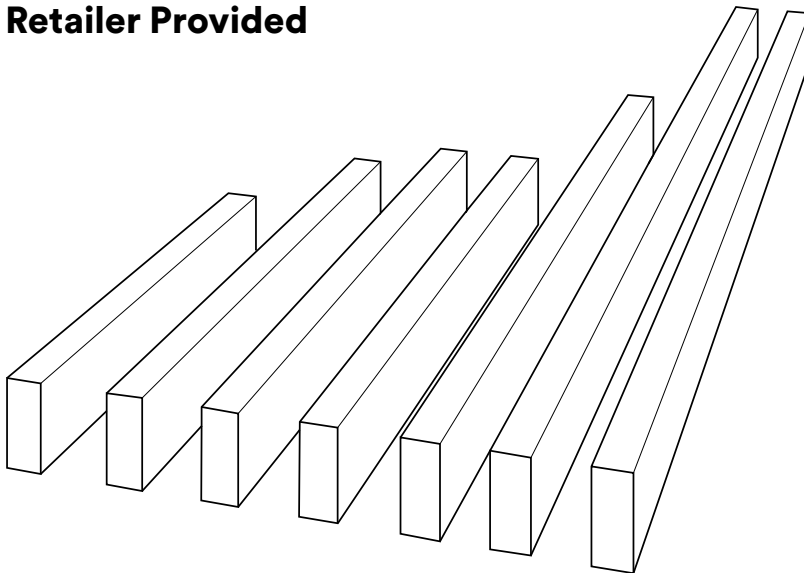


Shelf

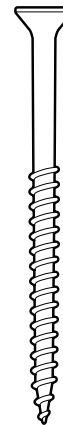


Literature Holder

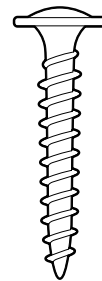
Retailer Provided



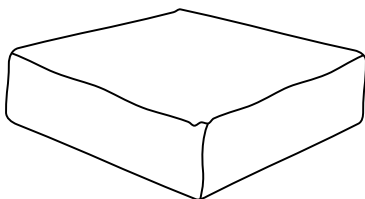
- Lumber (2 x 4) - 4 pcs at 8' each
- 1 x 21.75"
- 1 x 29.5"
- 2 x 32.5"
- 1 x 45.75"
- 2 x 69"



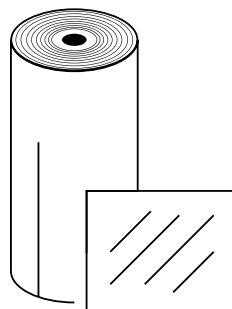
30 x Wood Screw
#8 x 3"



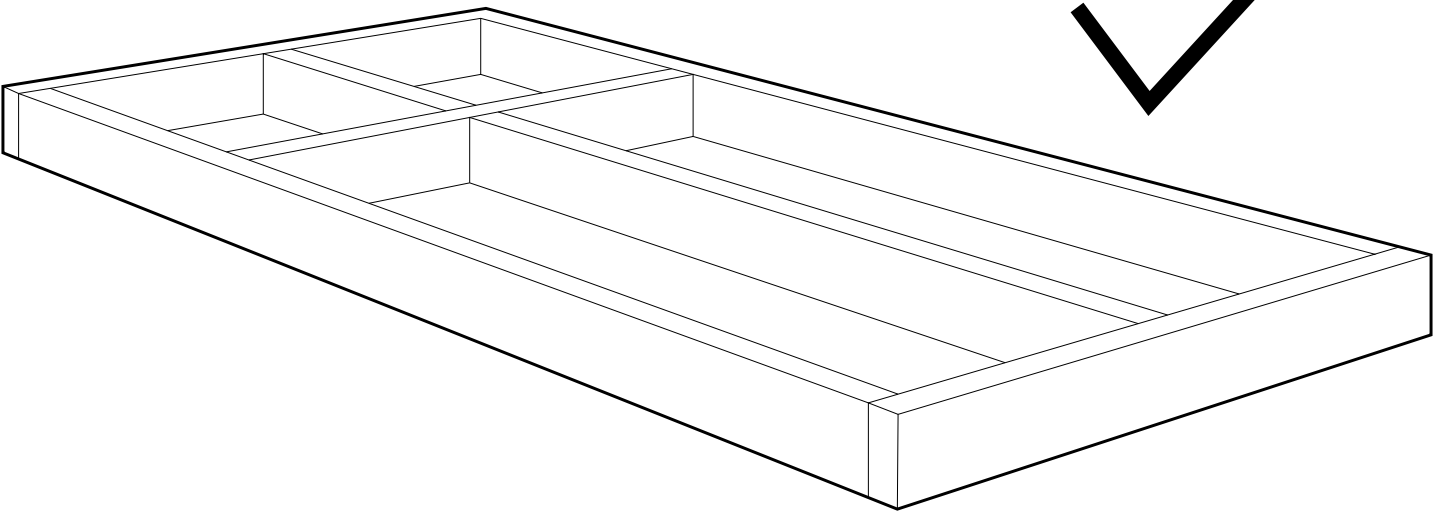
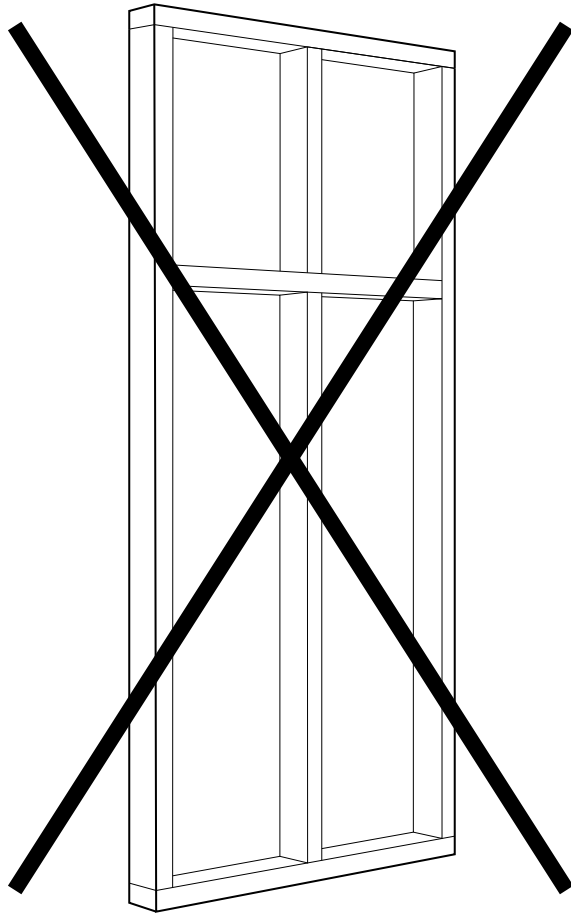
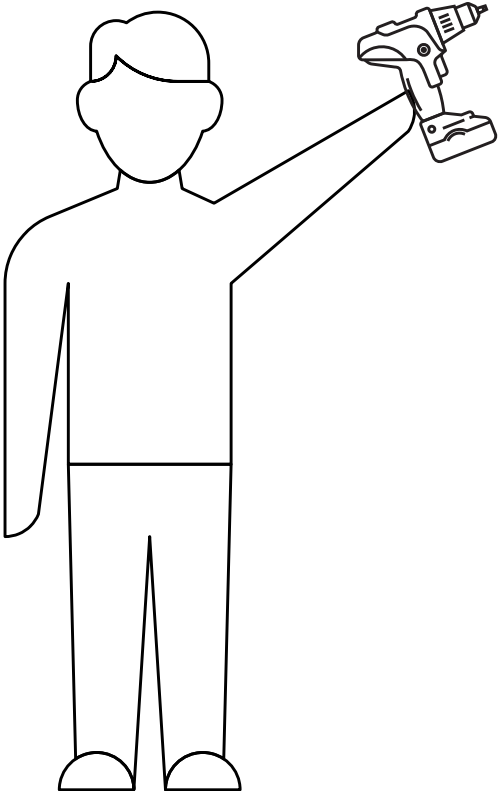
65 x Truss or
Pancake Head
Screw
#8 or #10 x 1-1/4"



Insulation

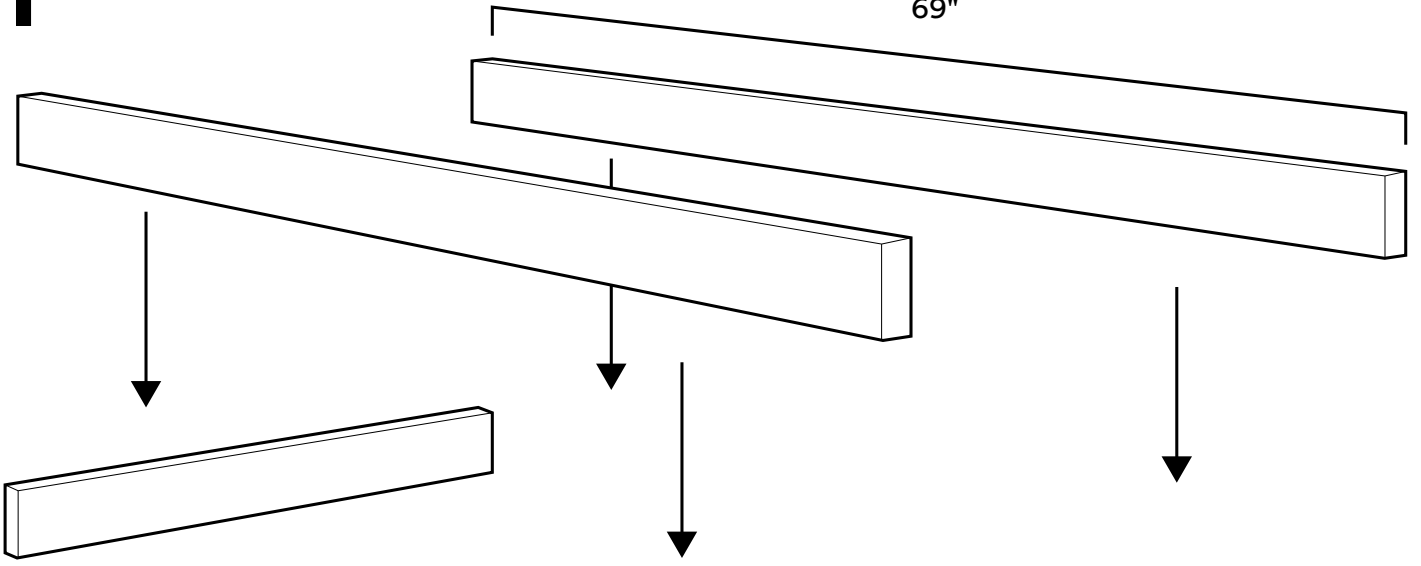


Vapor Barrier

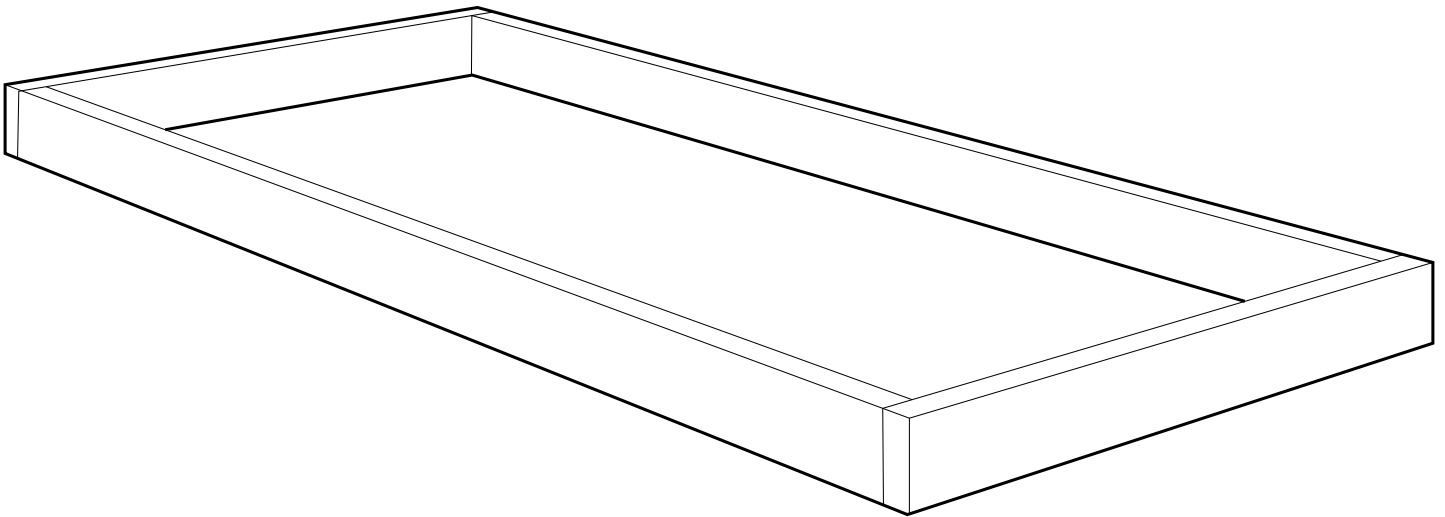
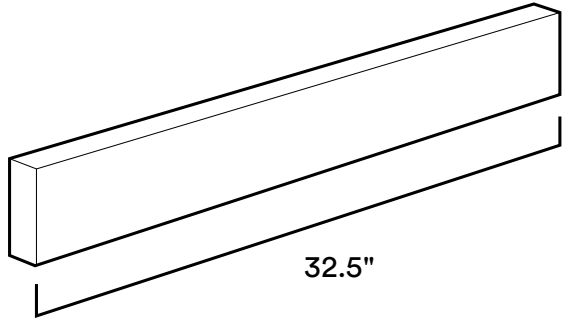


1

69"



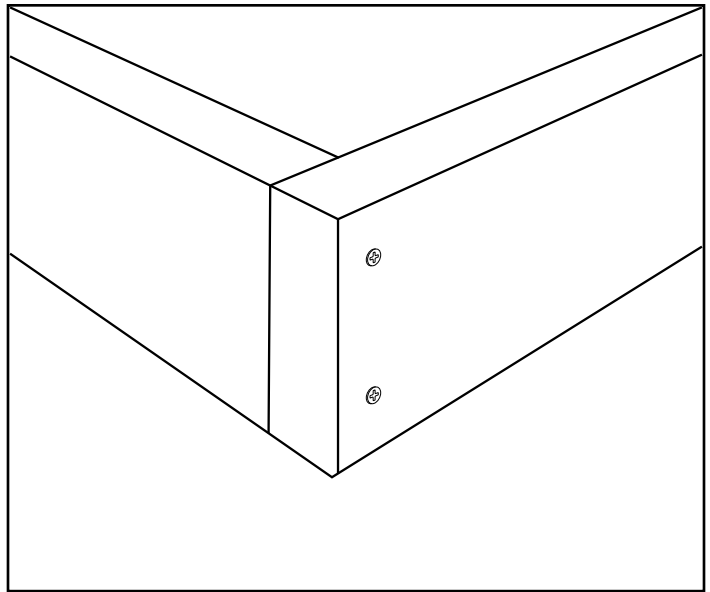
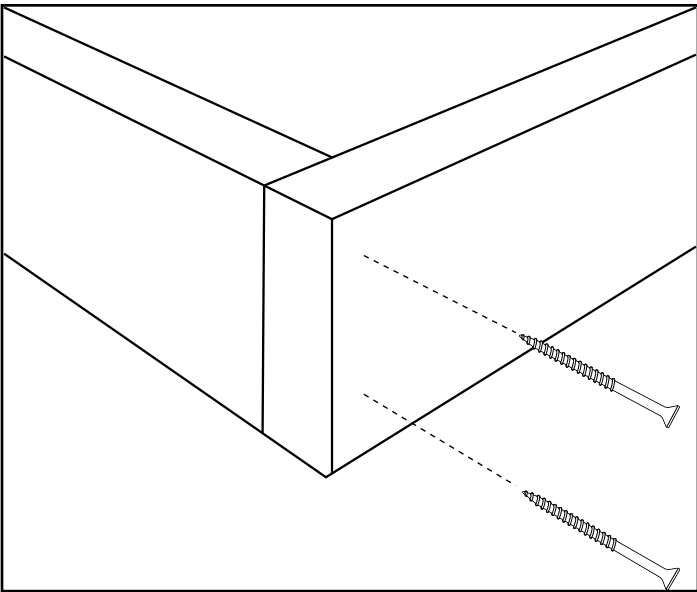
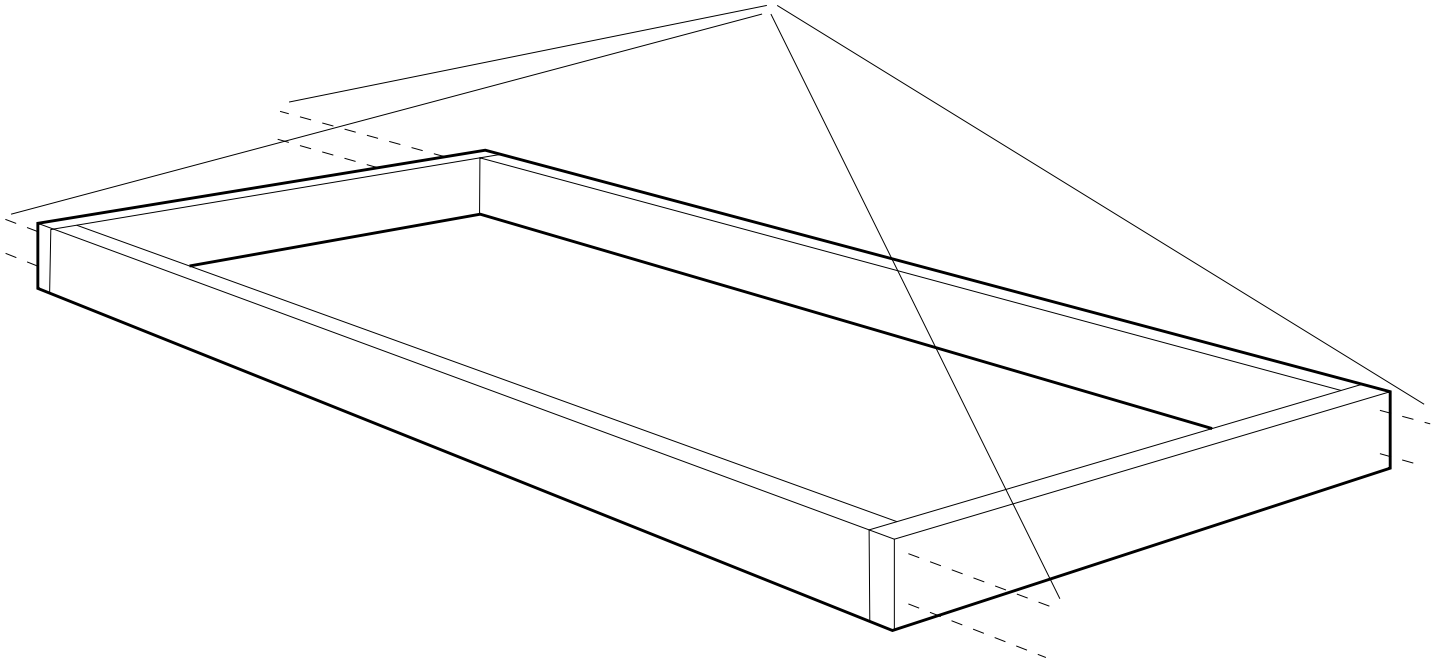
32.5"



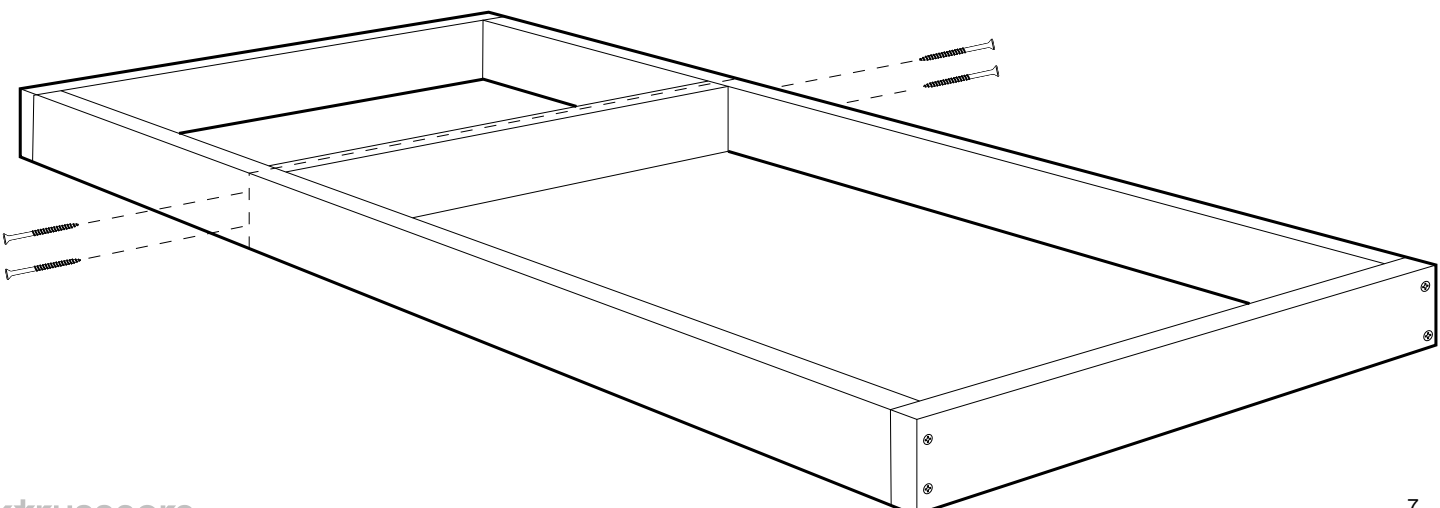
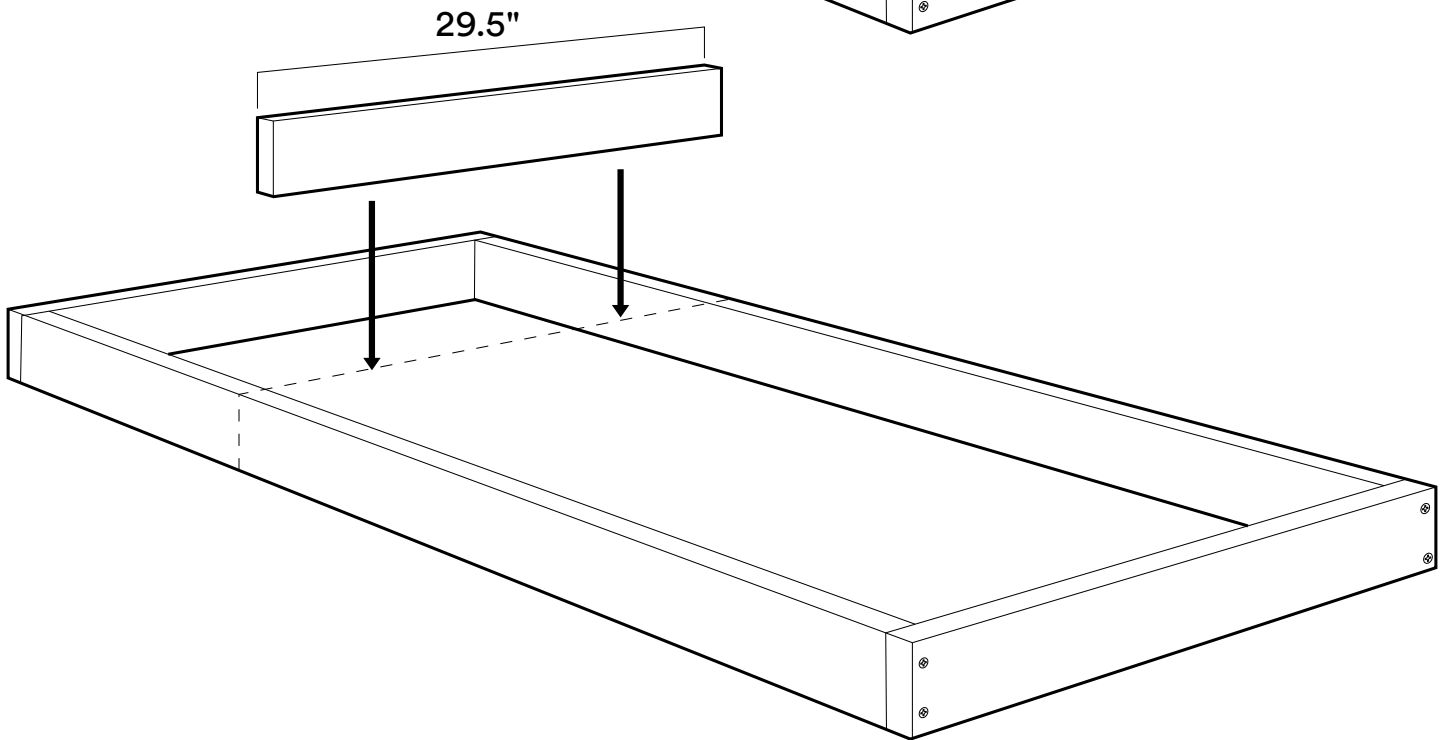
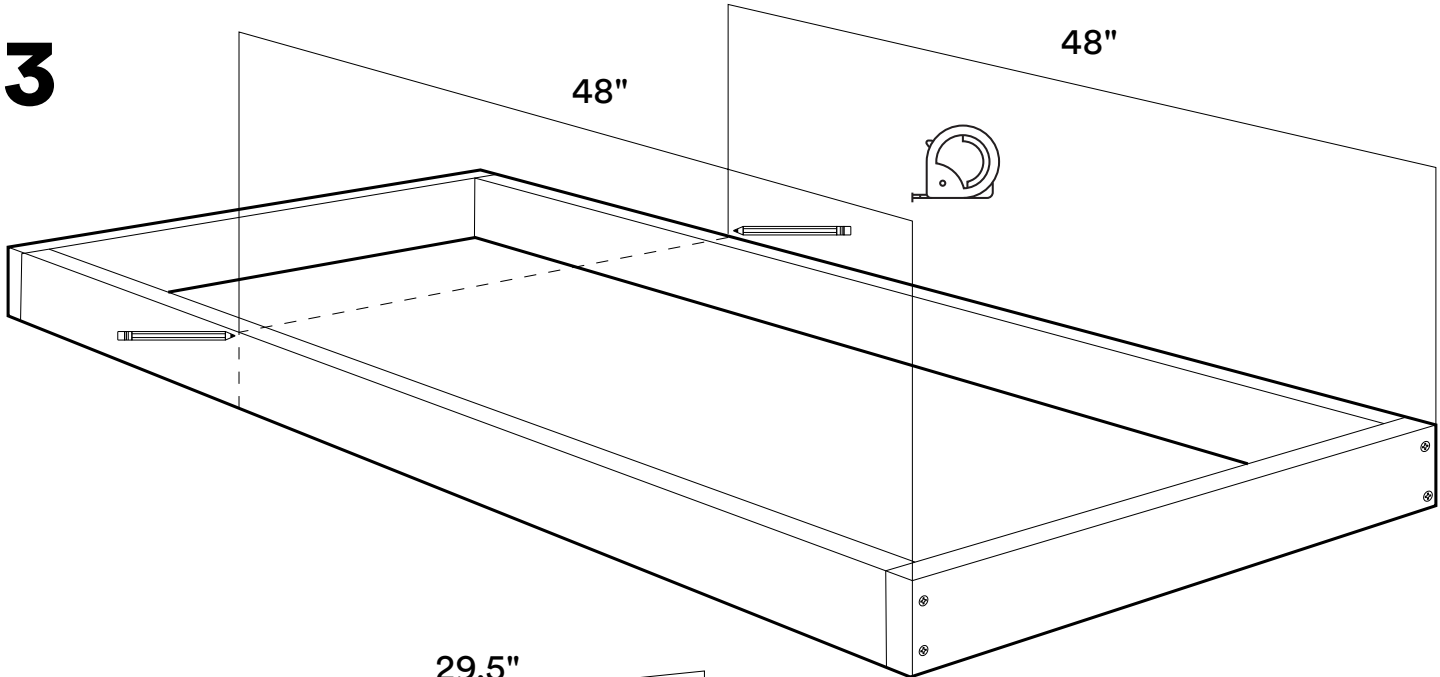
2



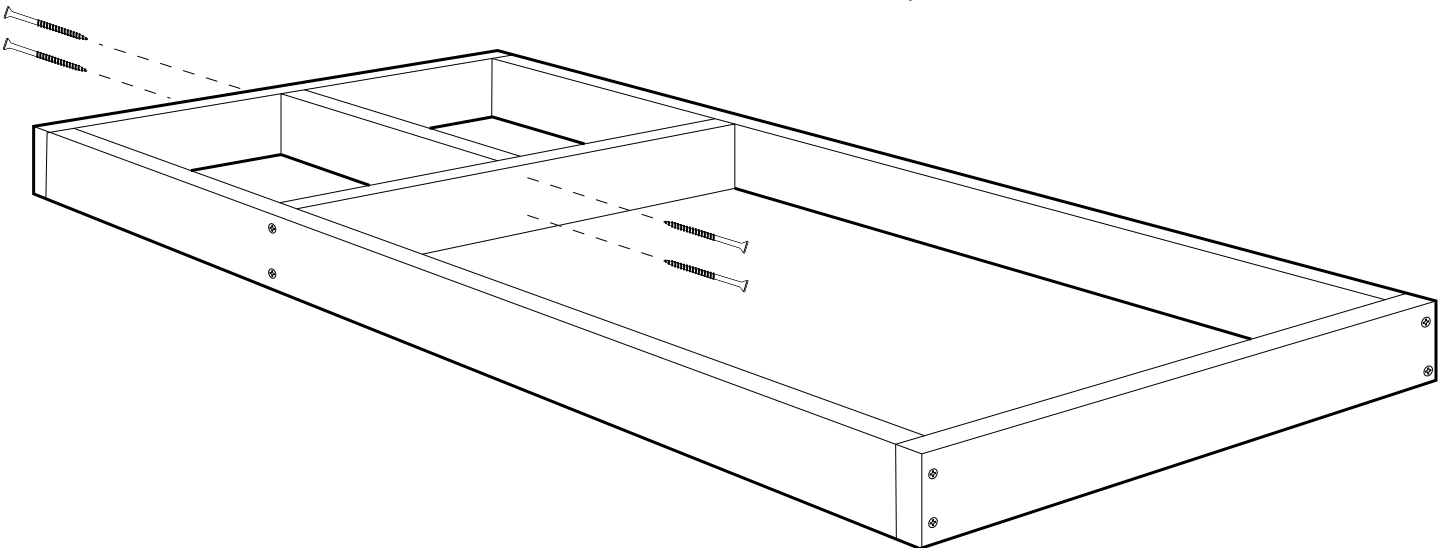
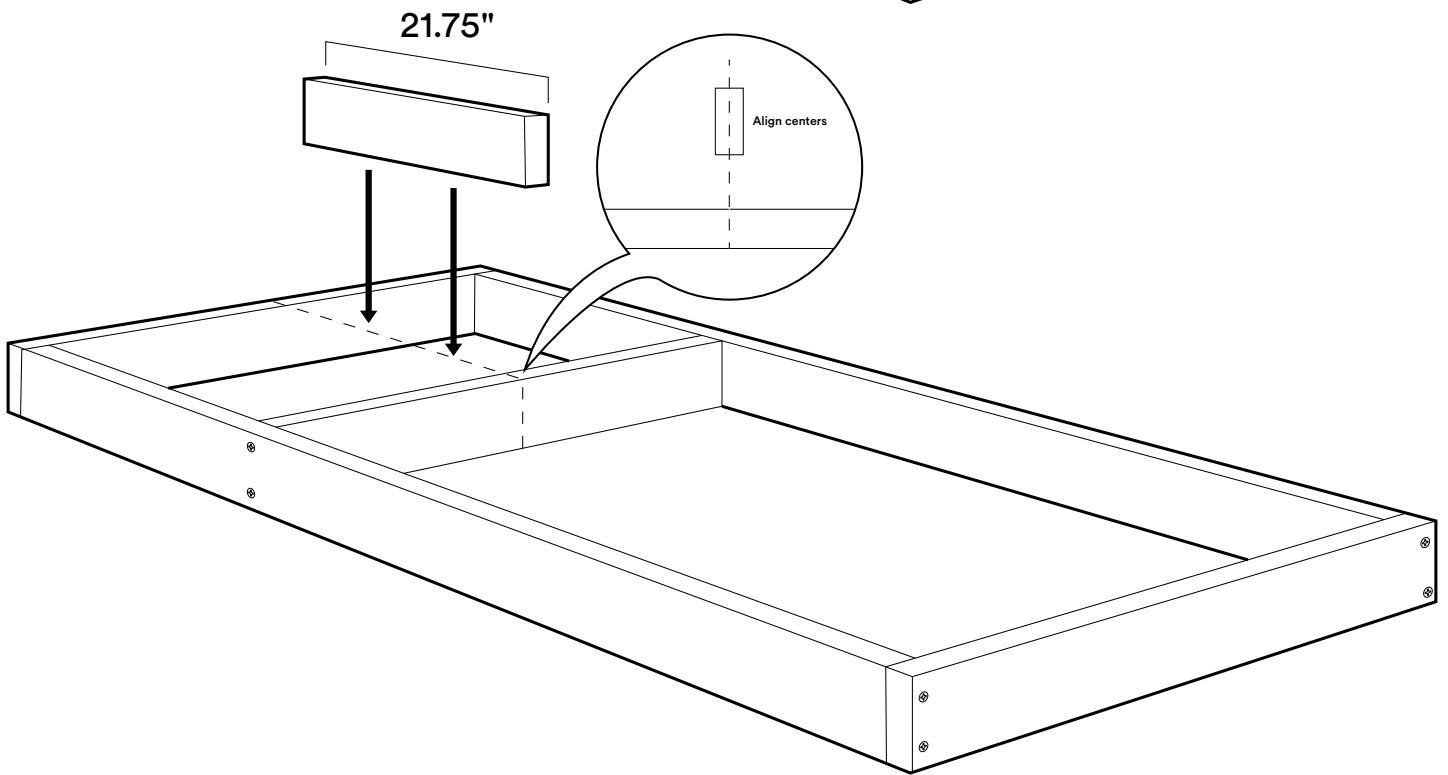
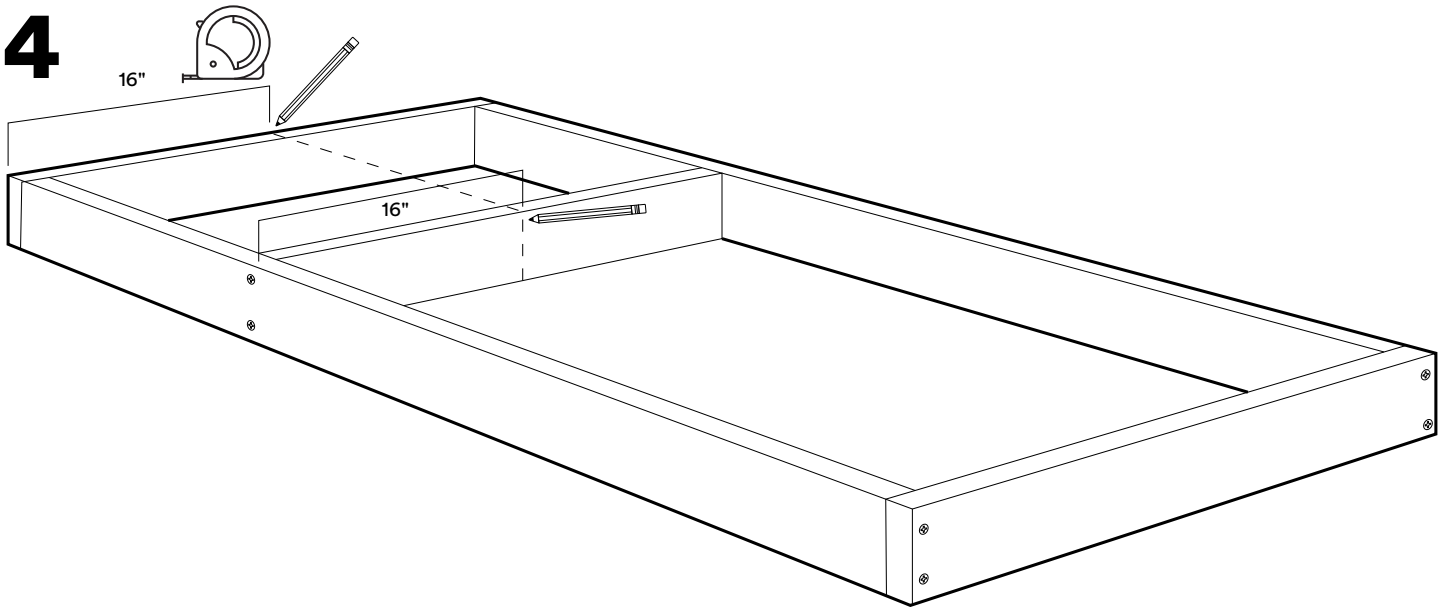
#8 x 3" Flat Head Wood Screw



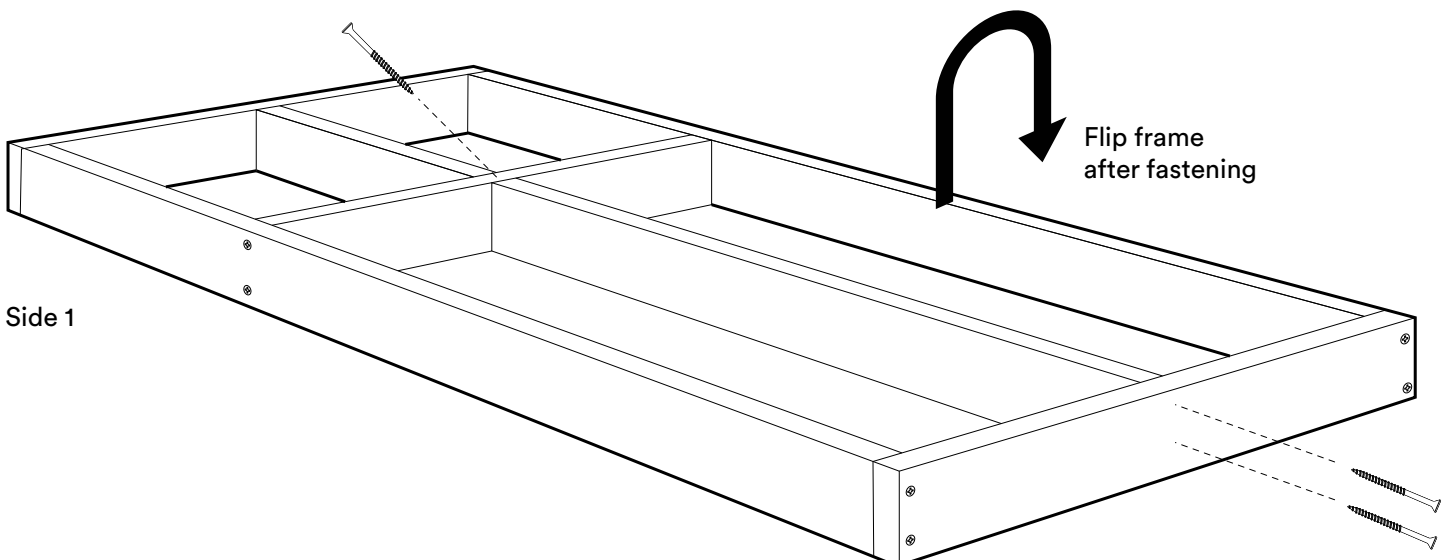
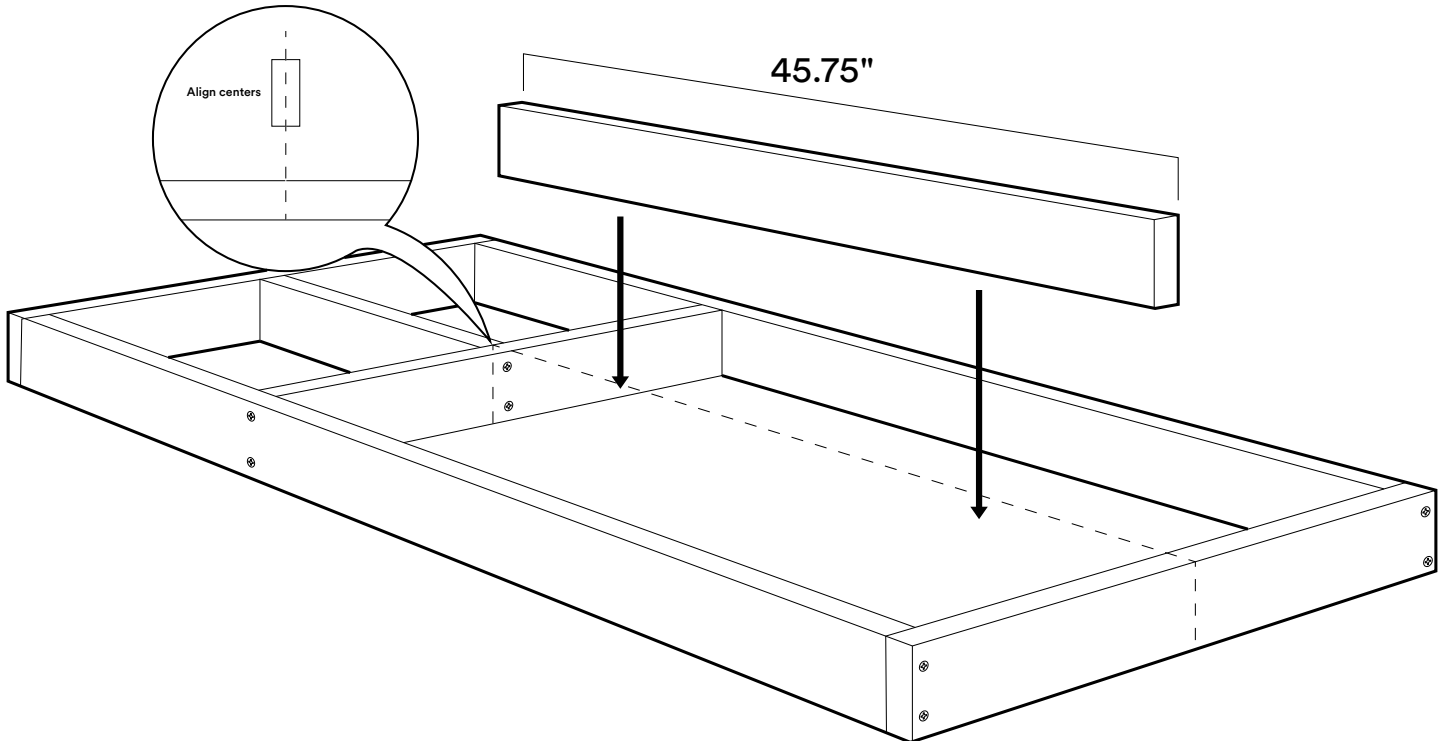
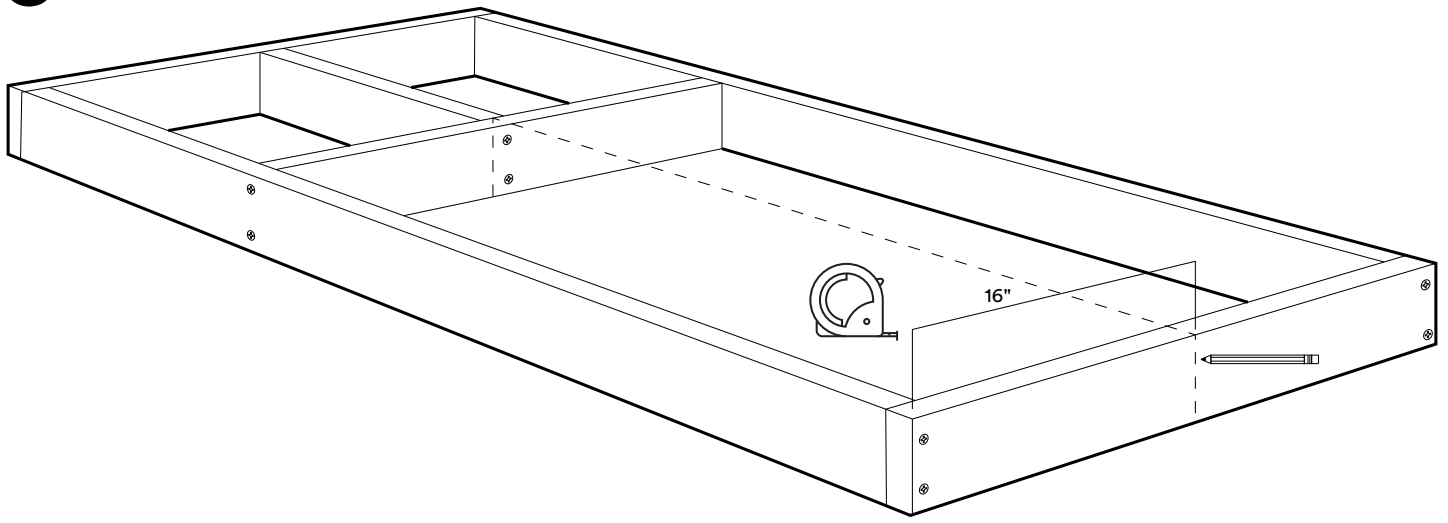
3

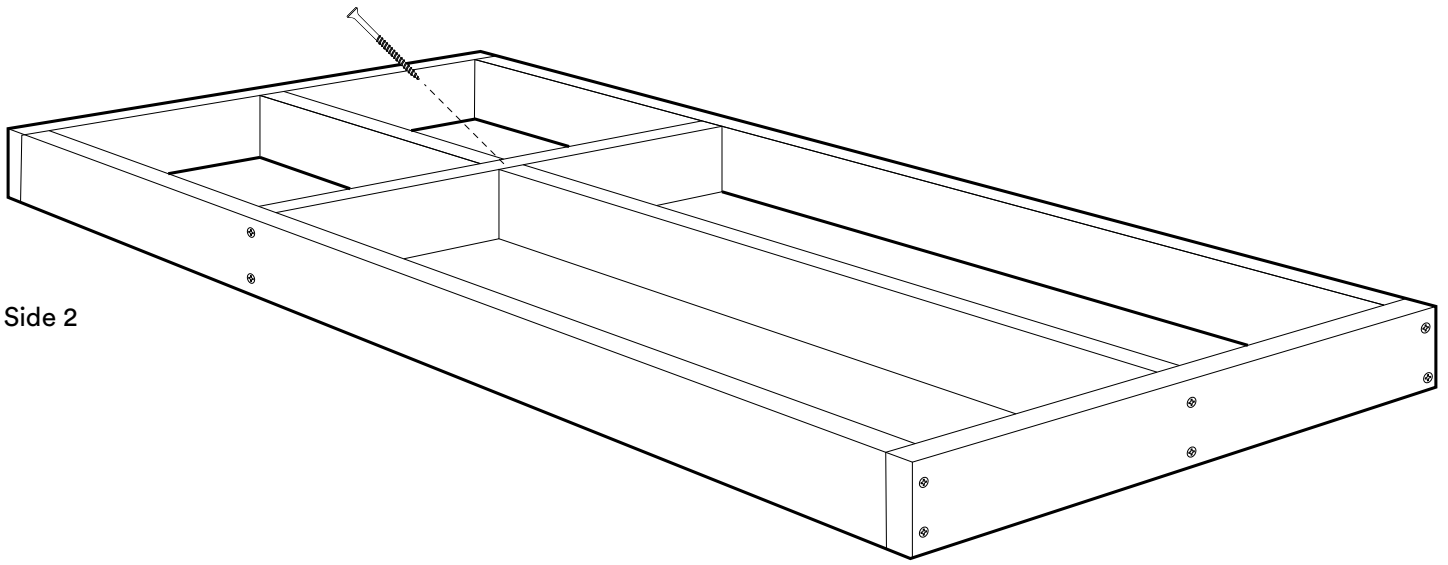


4



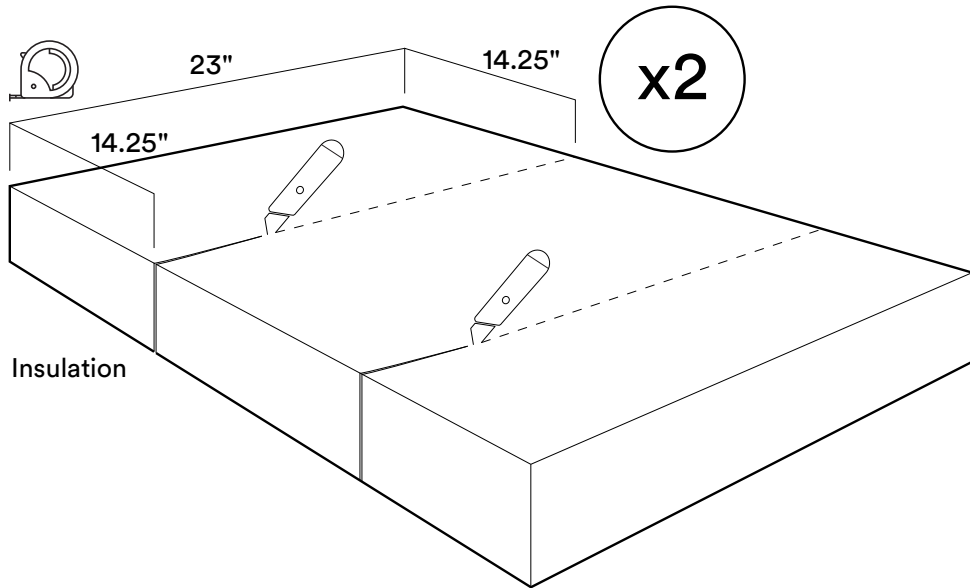
5



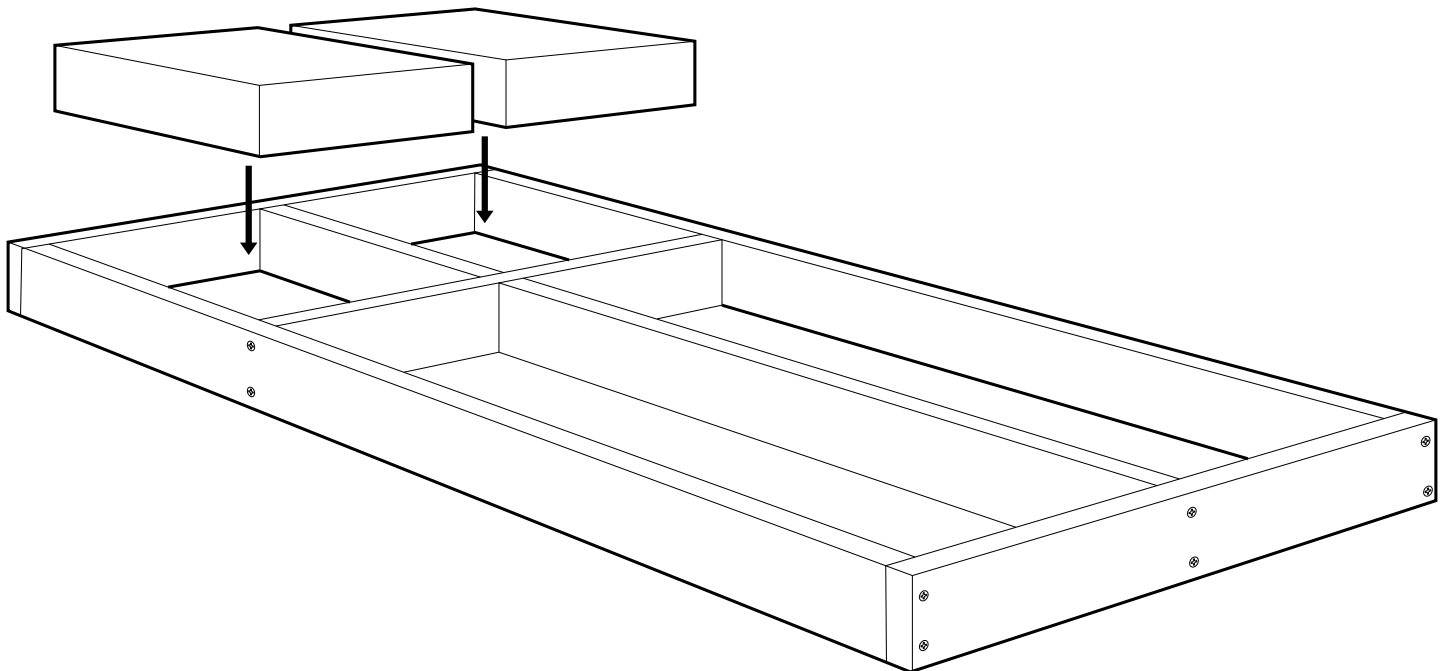


Side 2

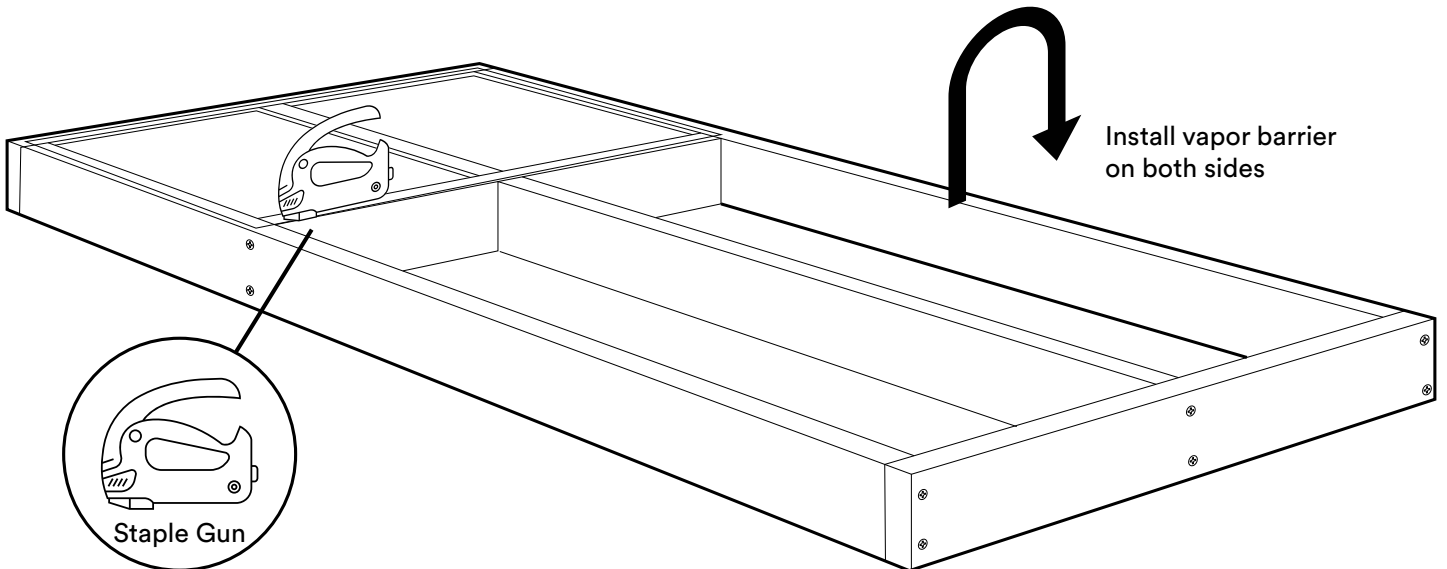
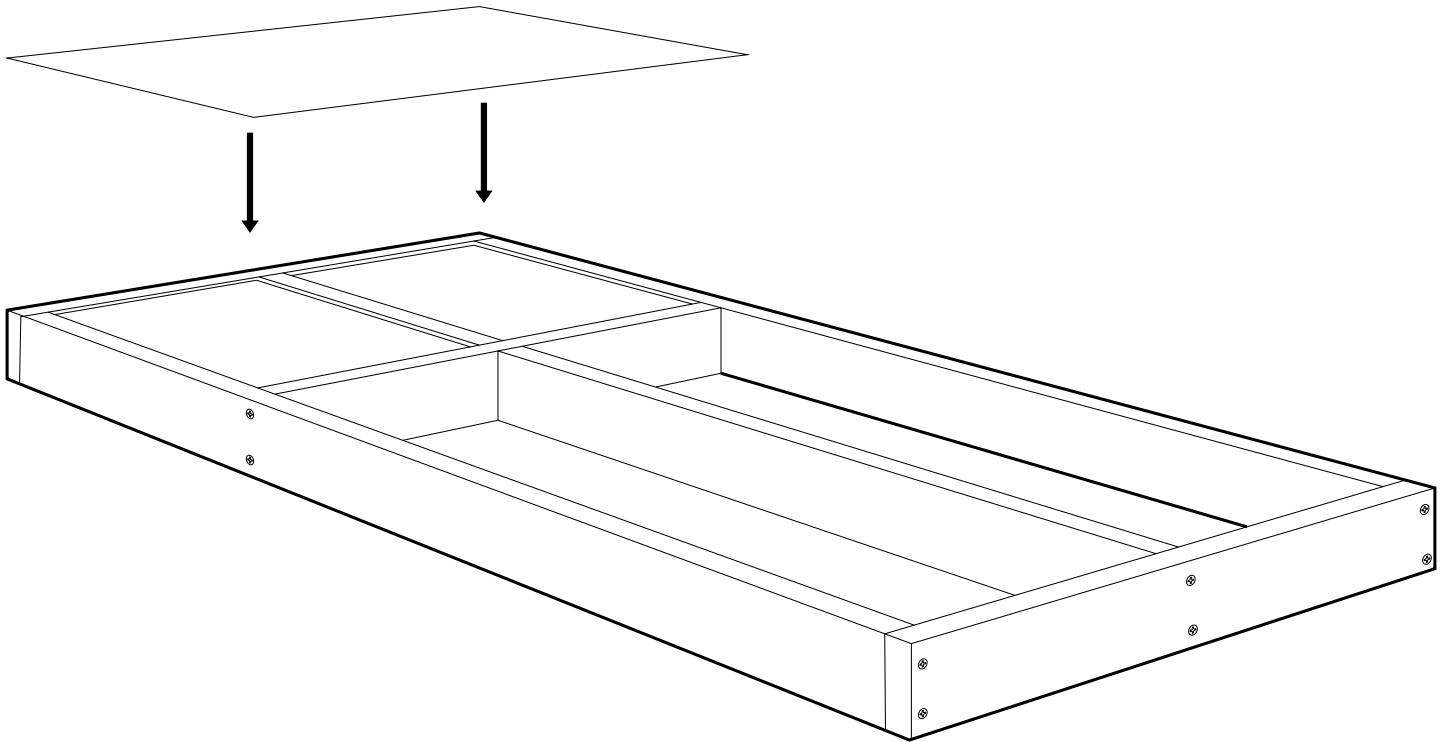
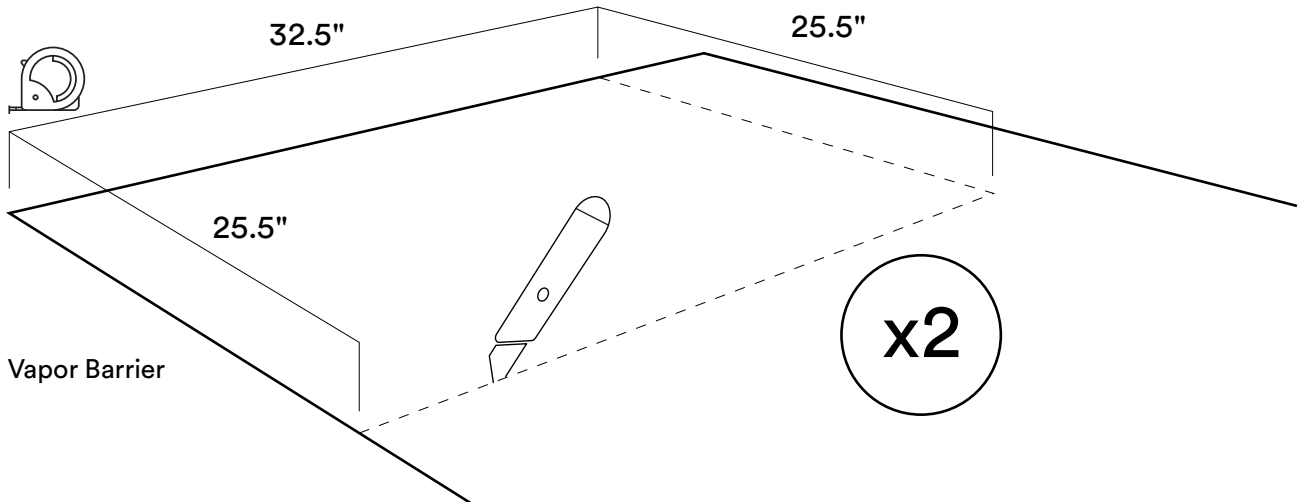
6



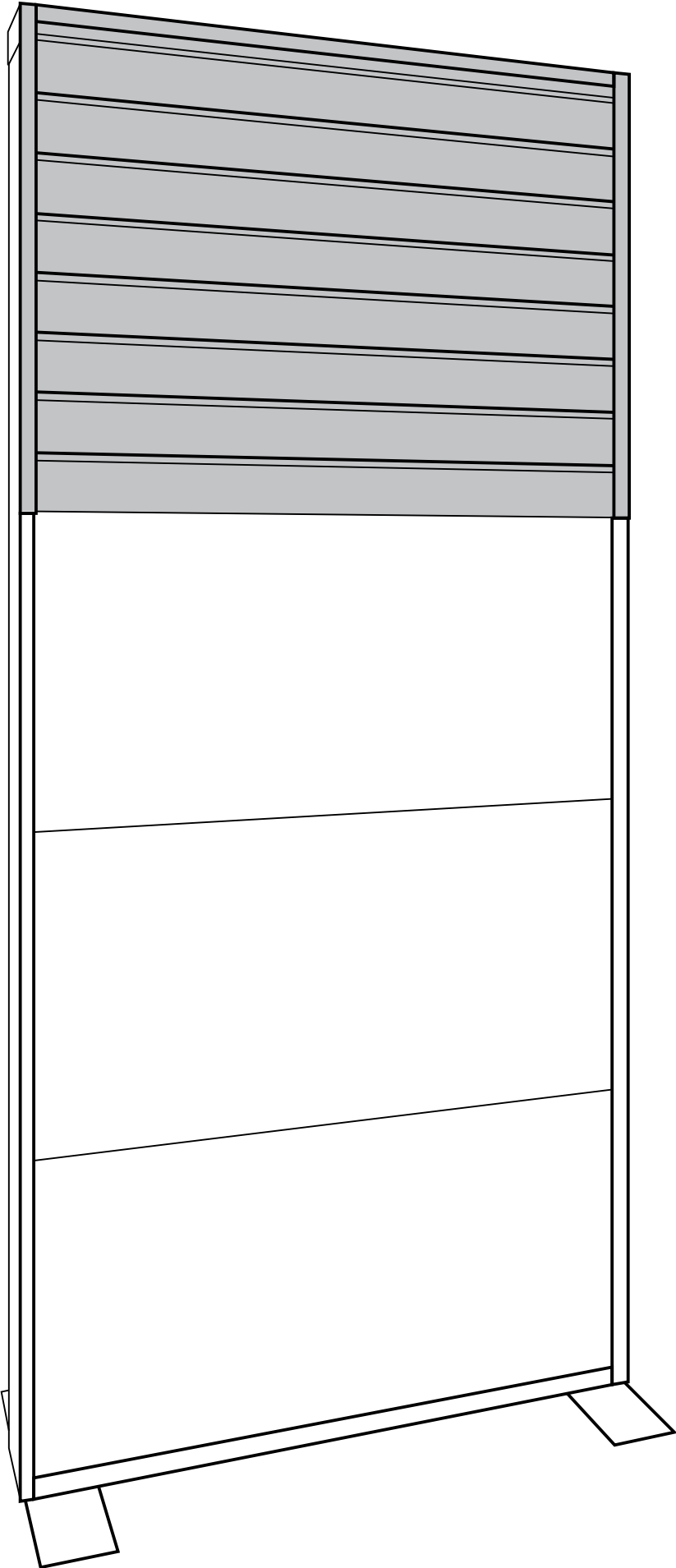
Insulation



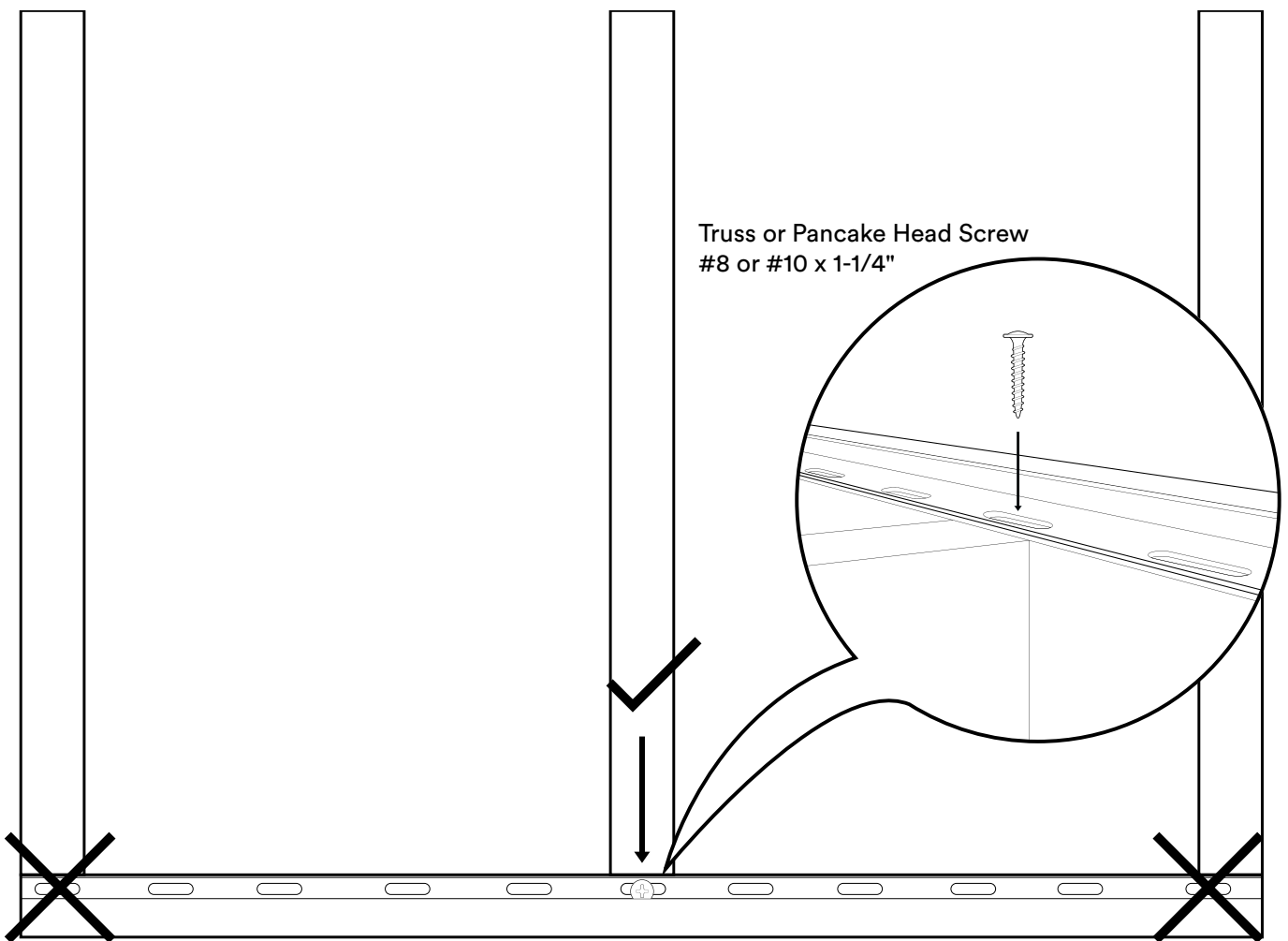
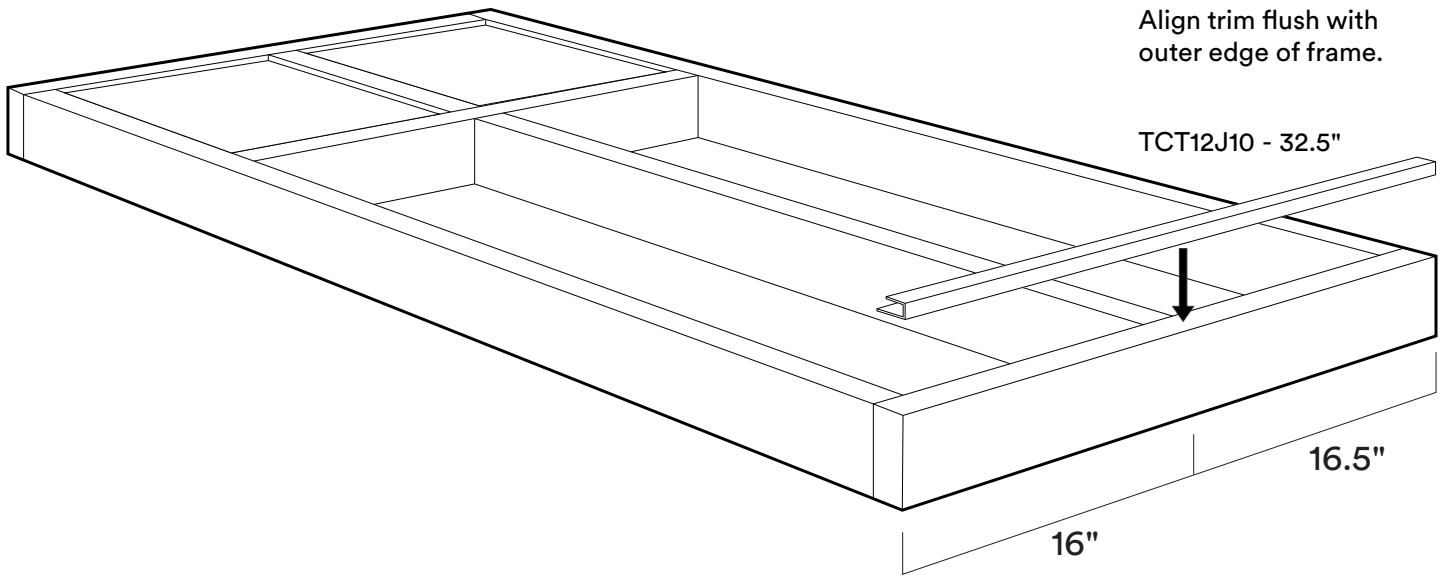
7



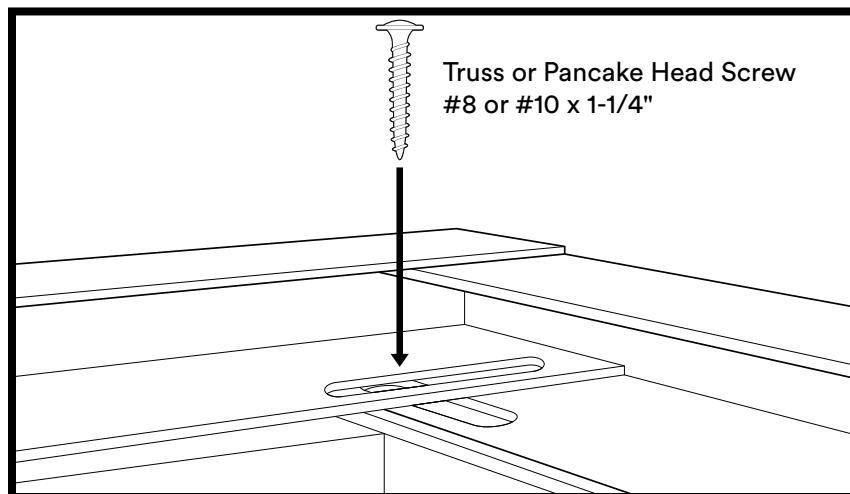
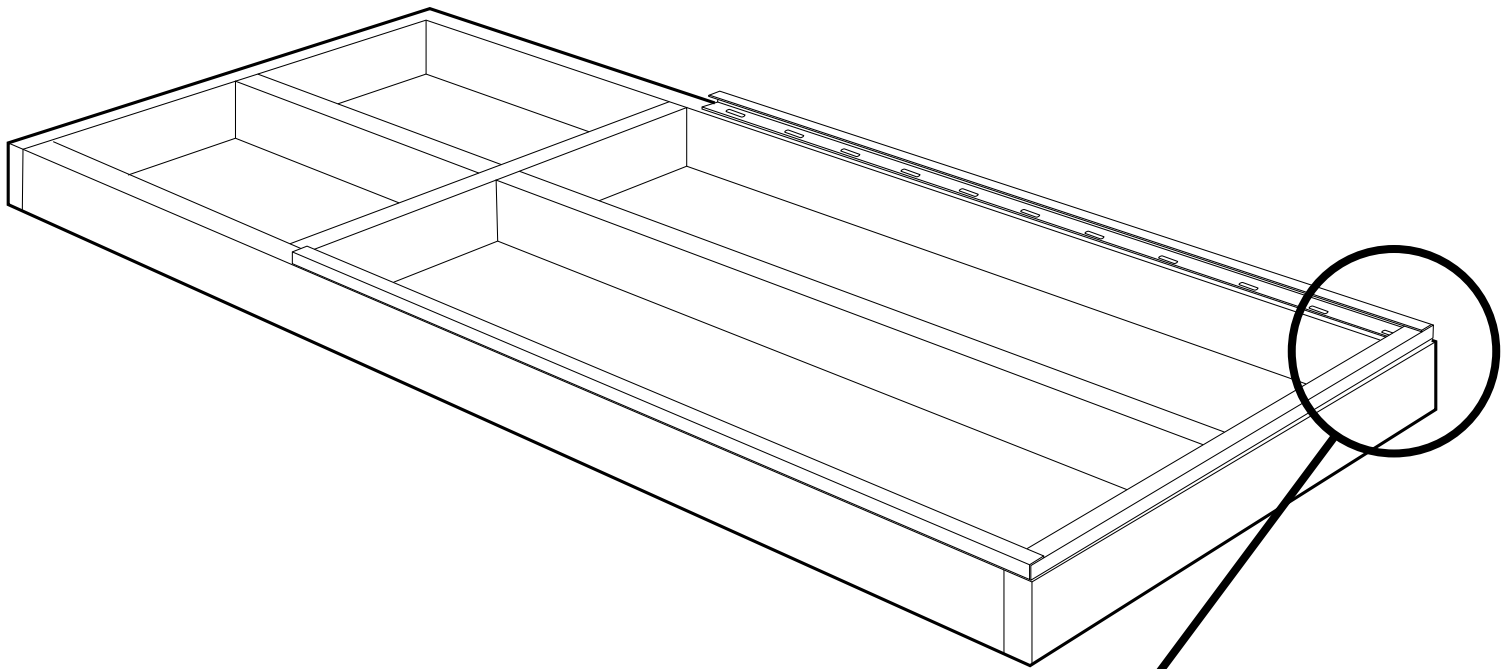
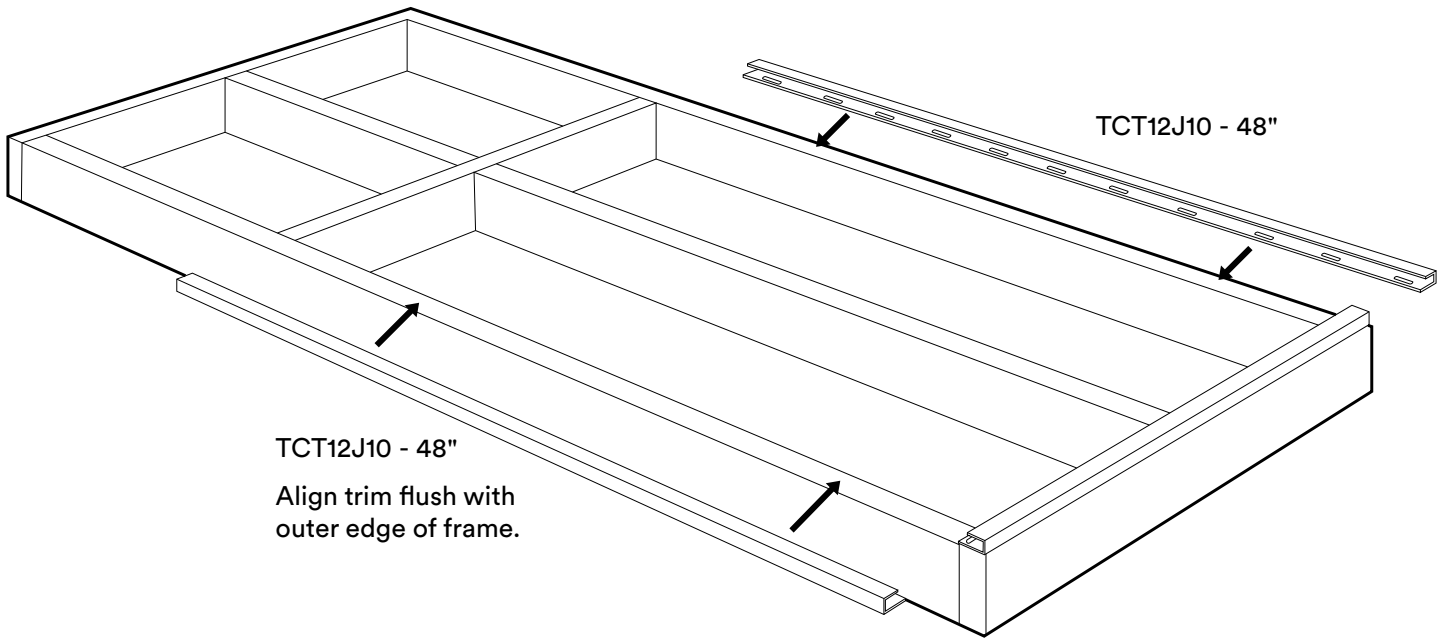
Side 1

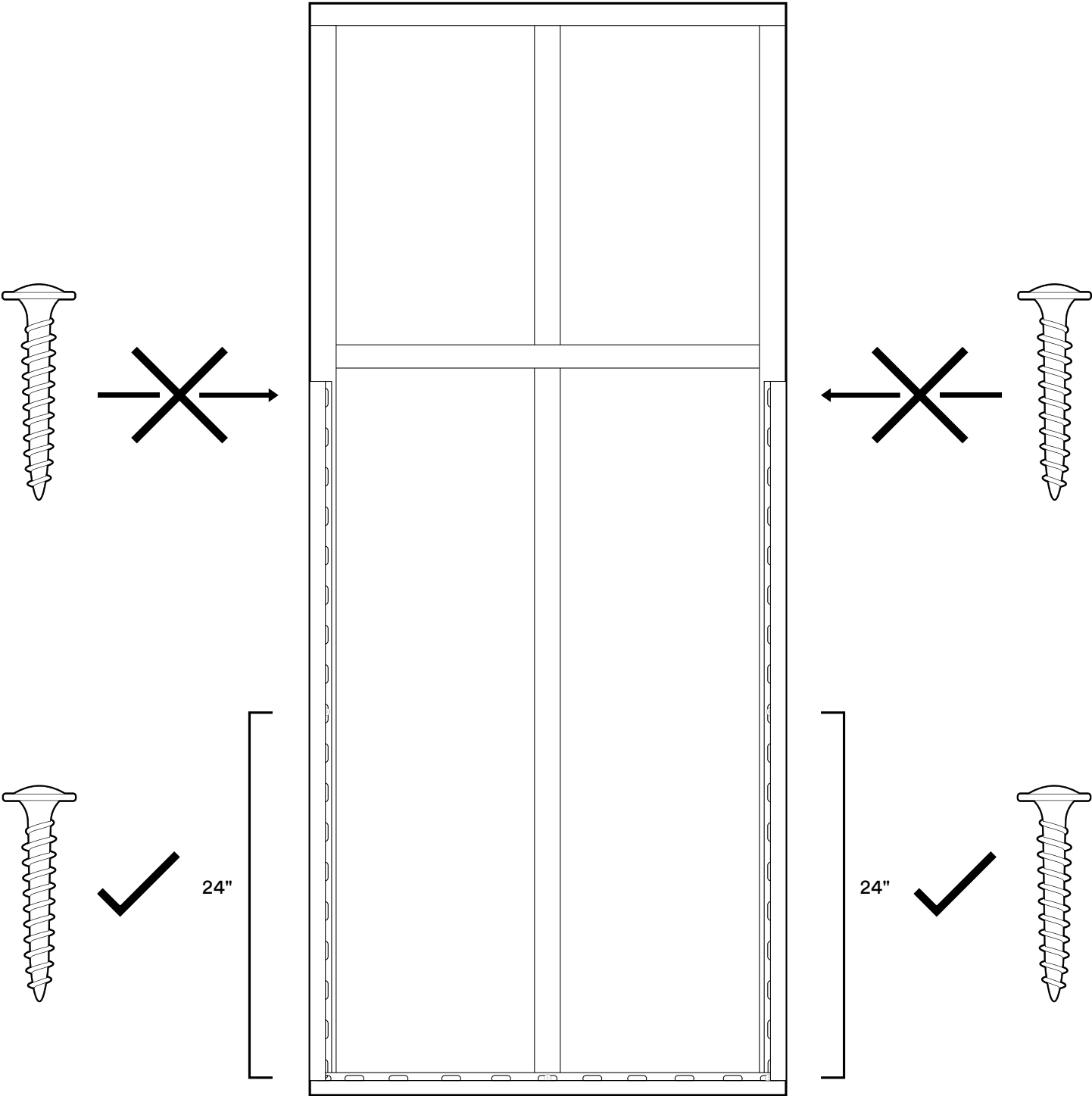


1

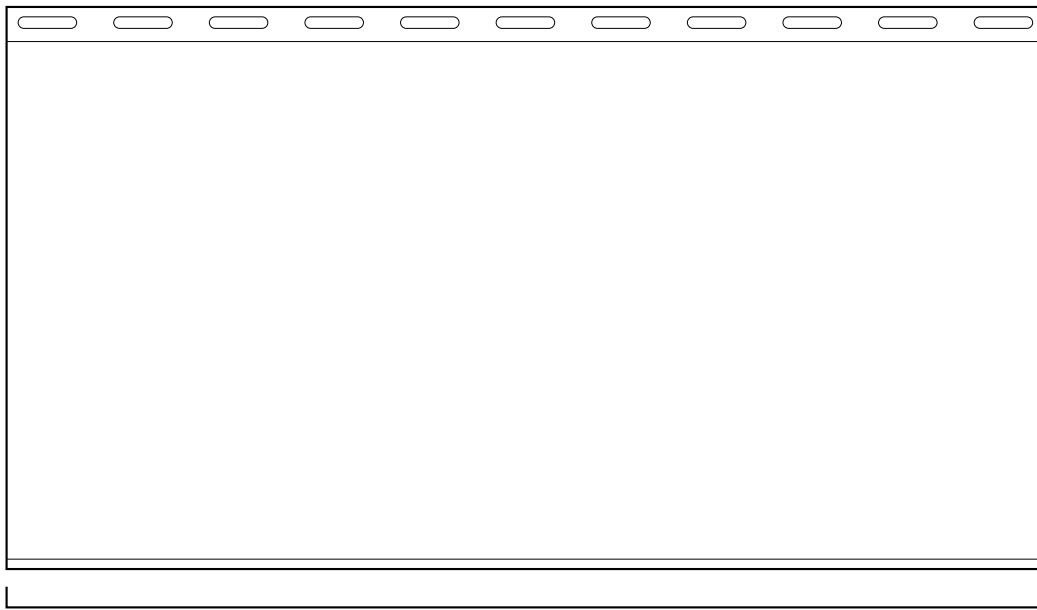


2



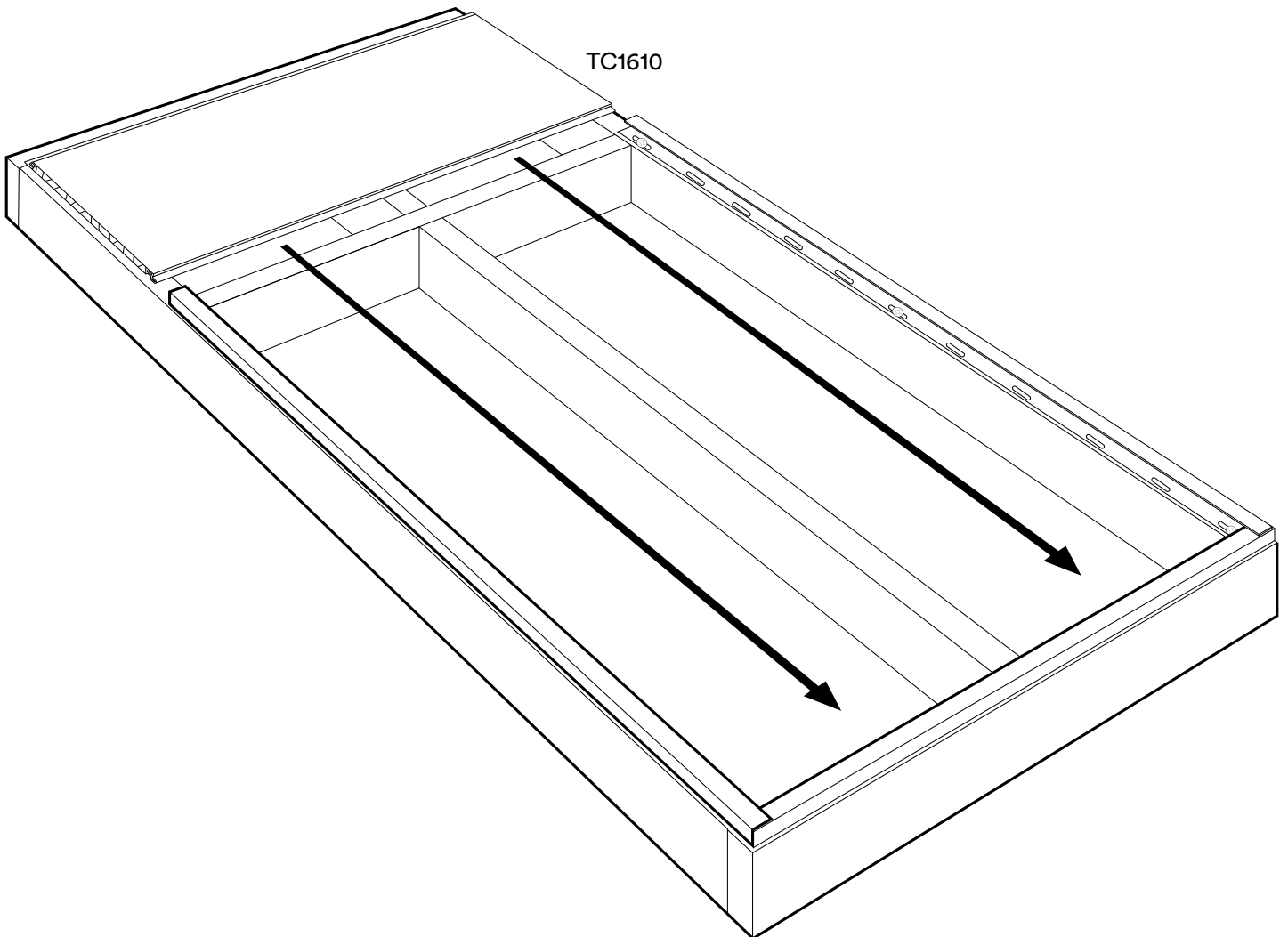


3

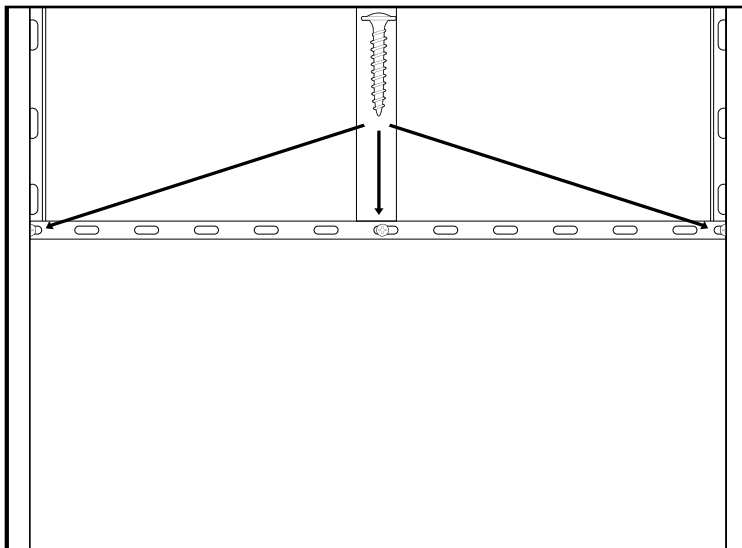
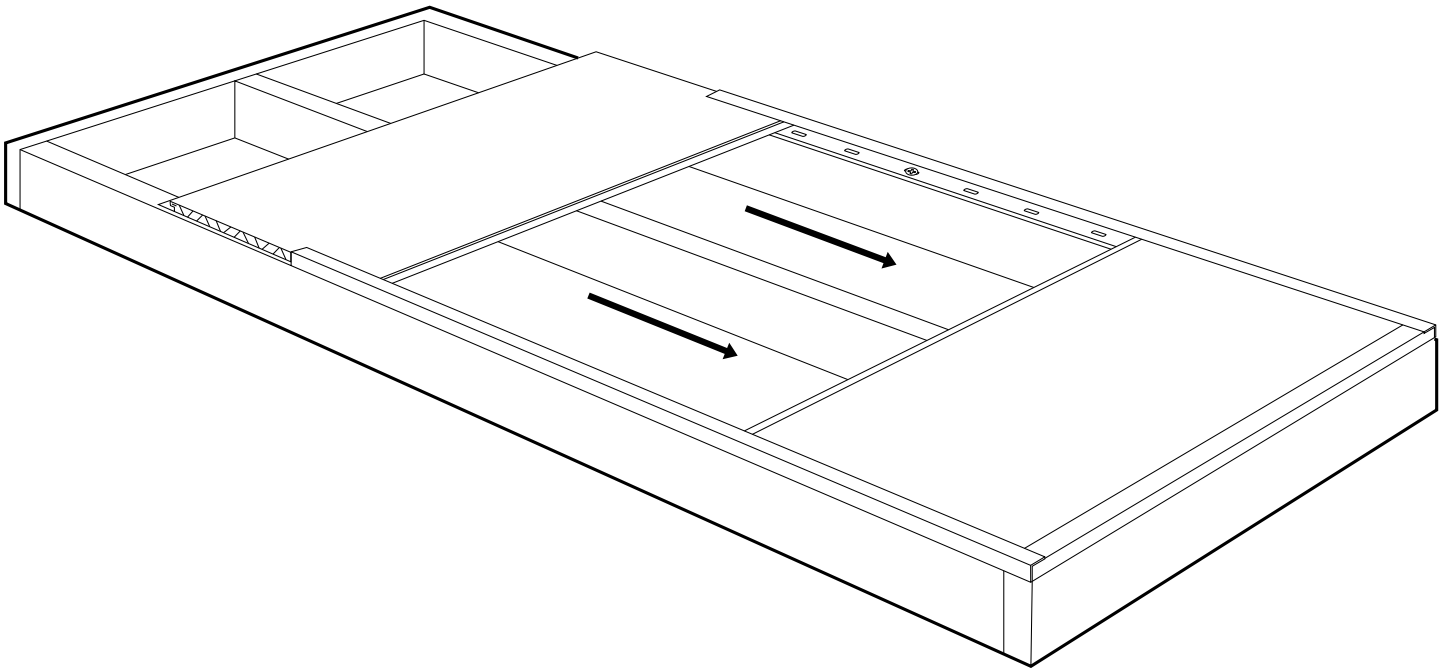
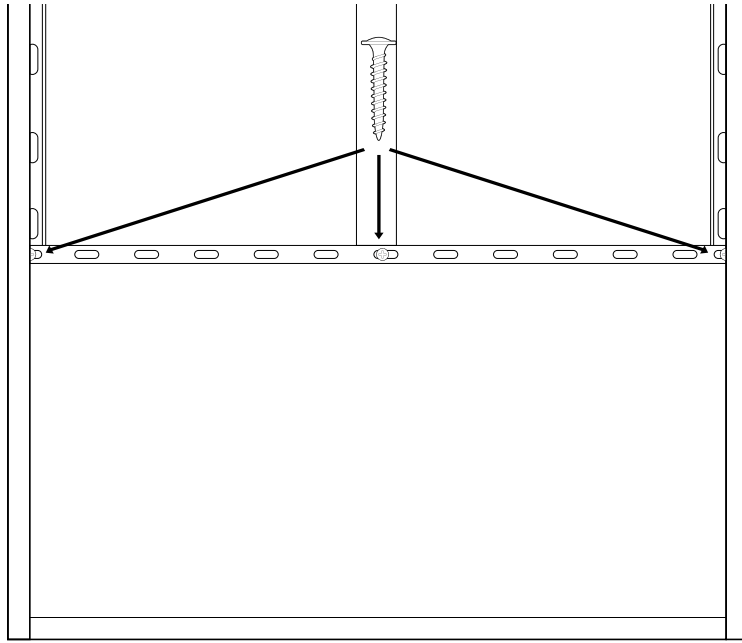


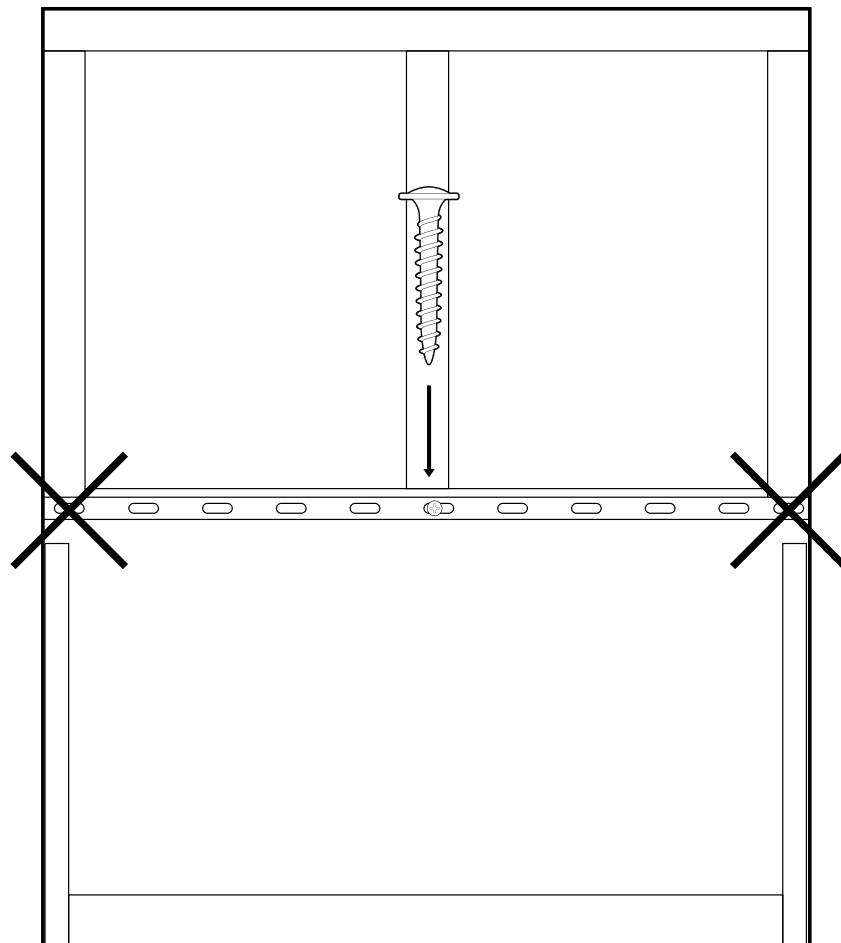
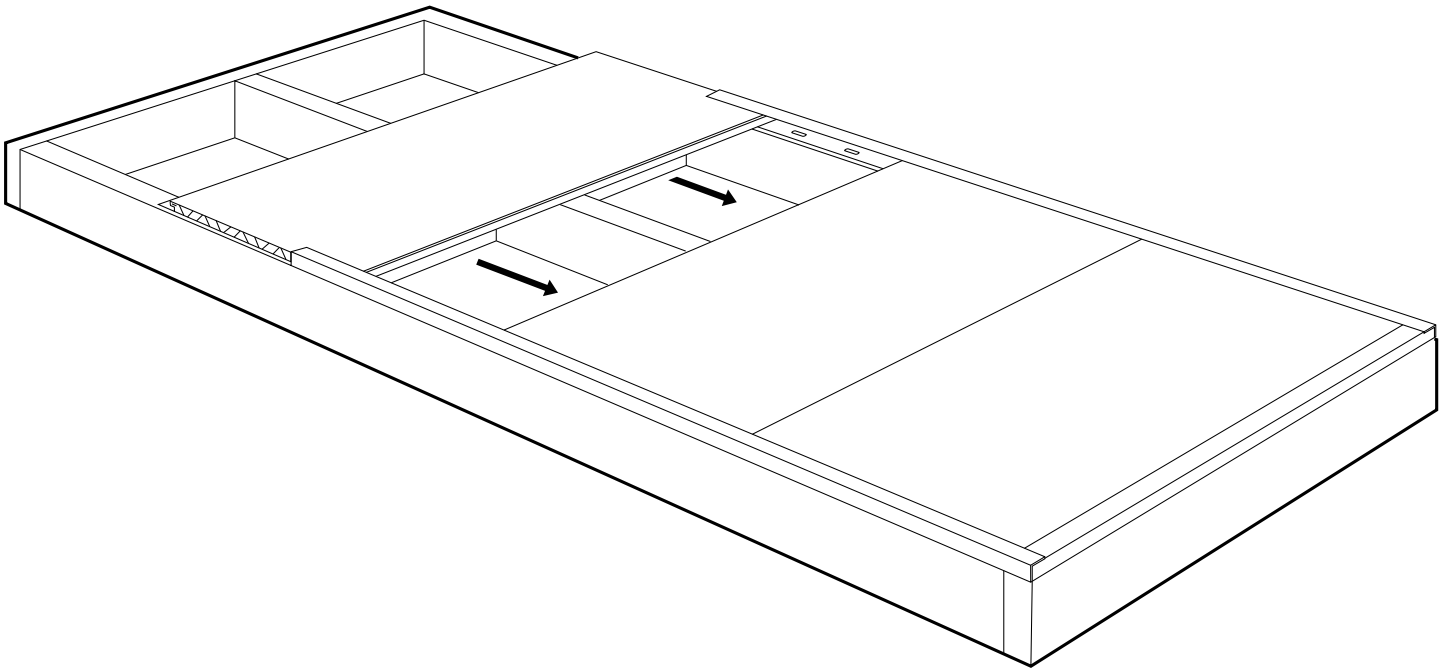
TC1610

32.25"

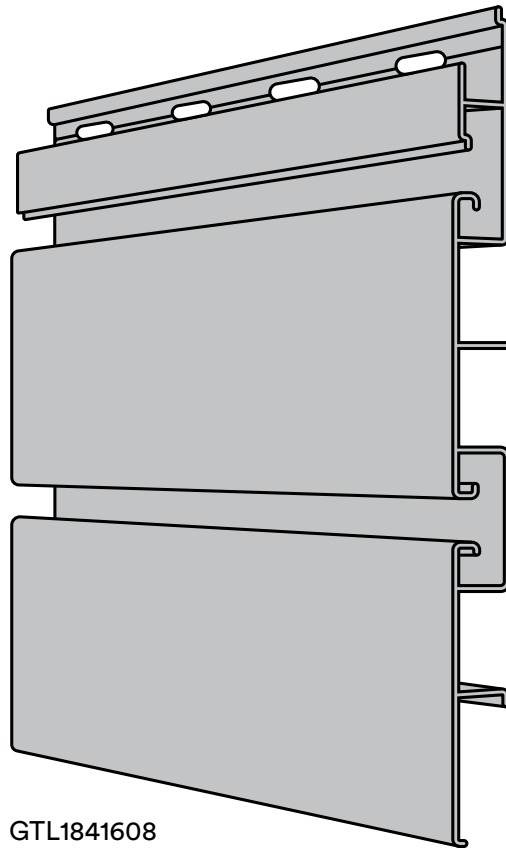


TC1610

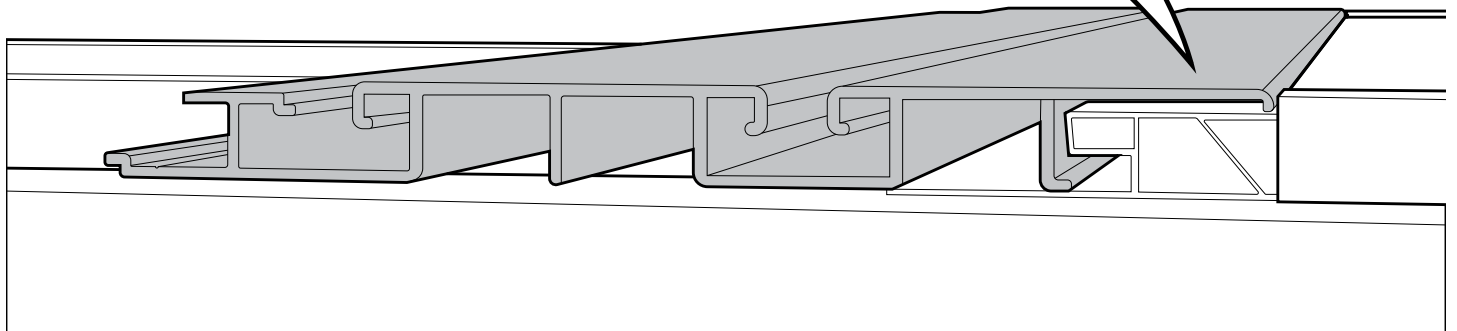
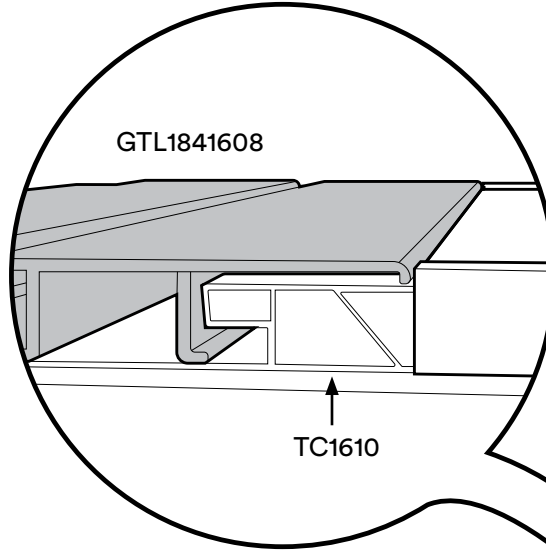
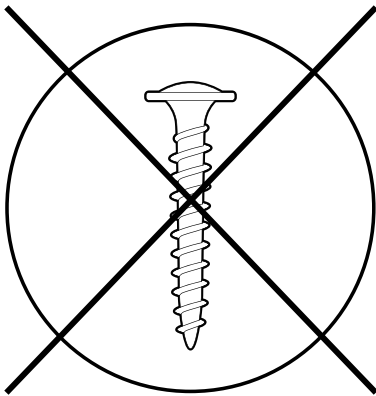




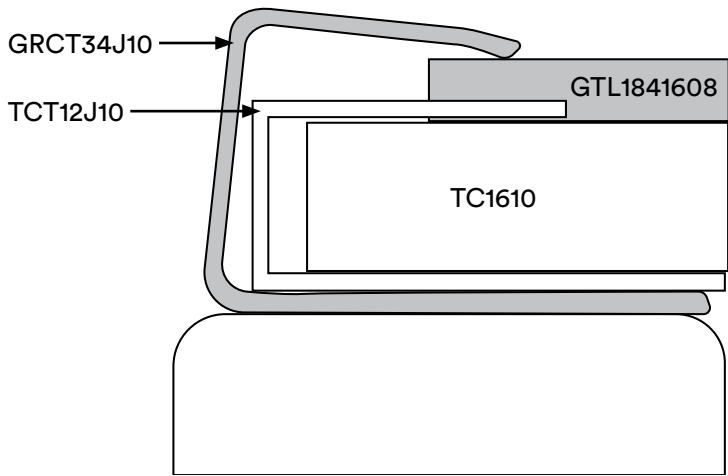
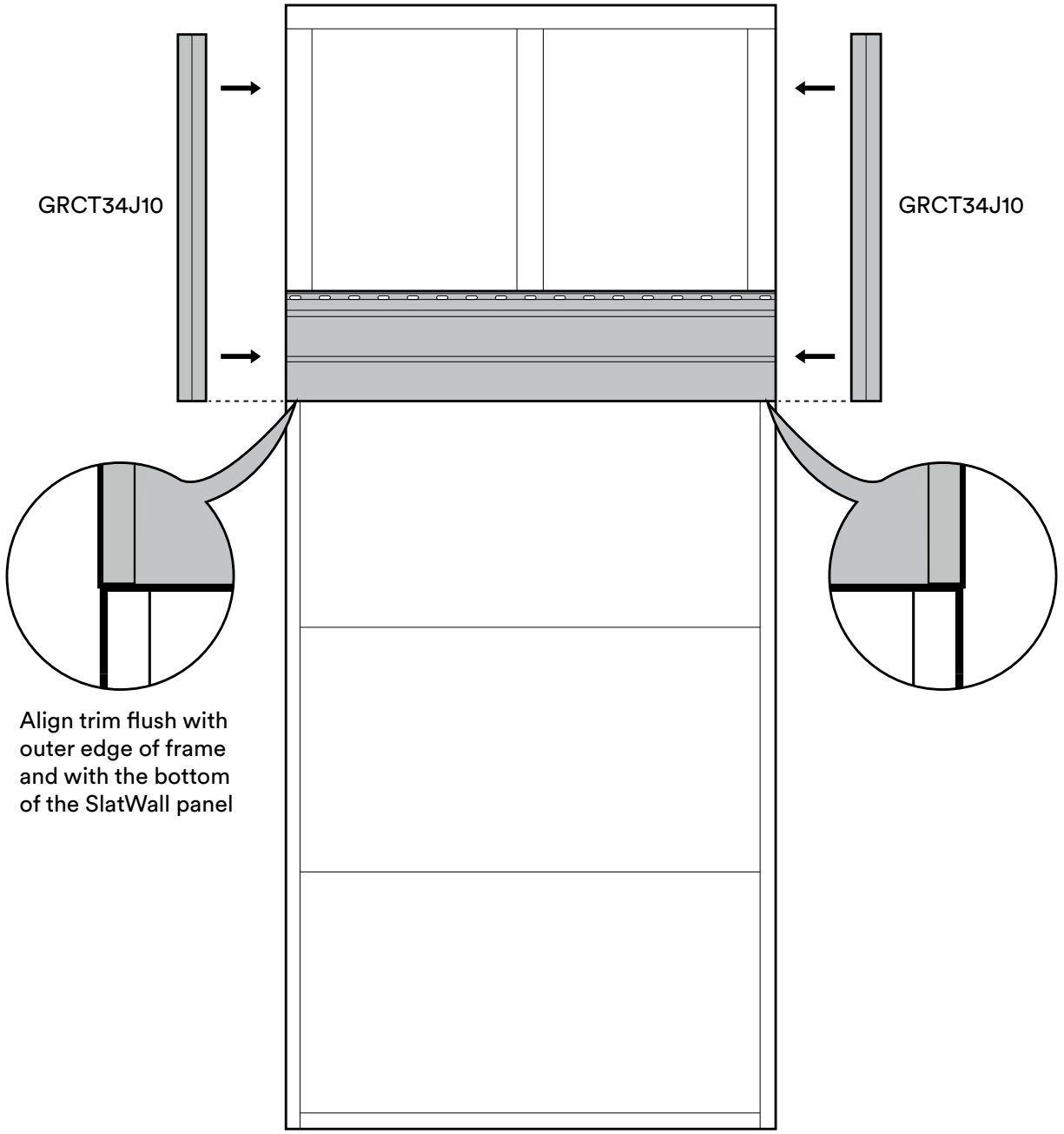
4

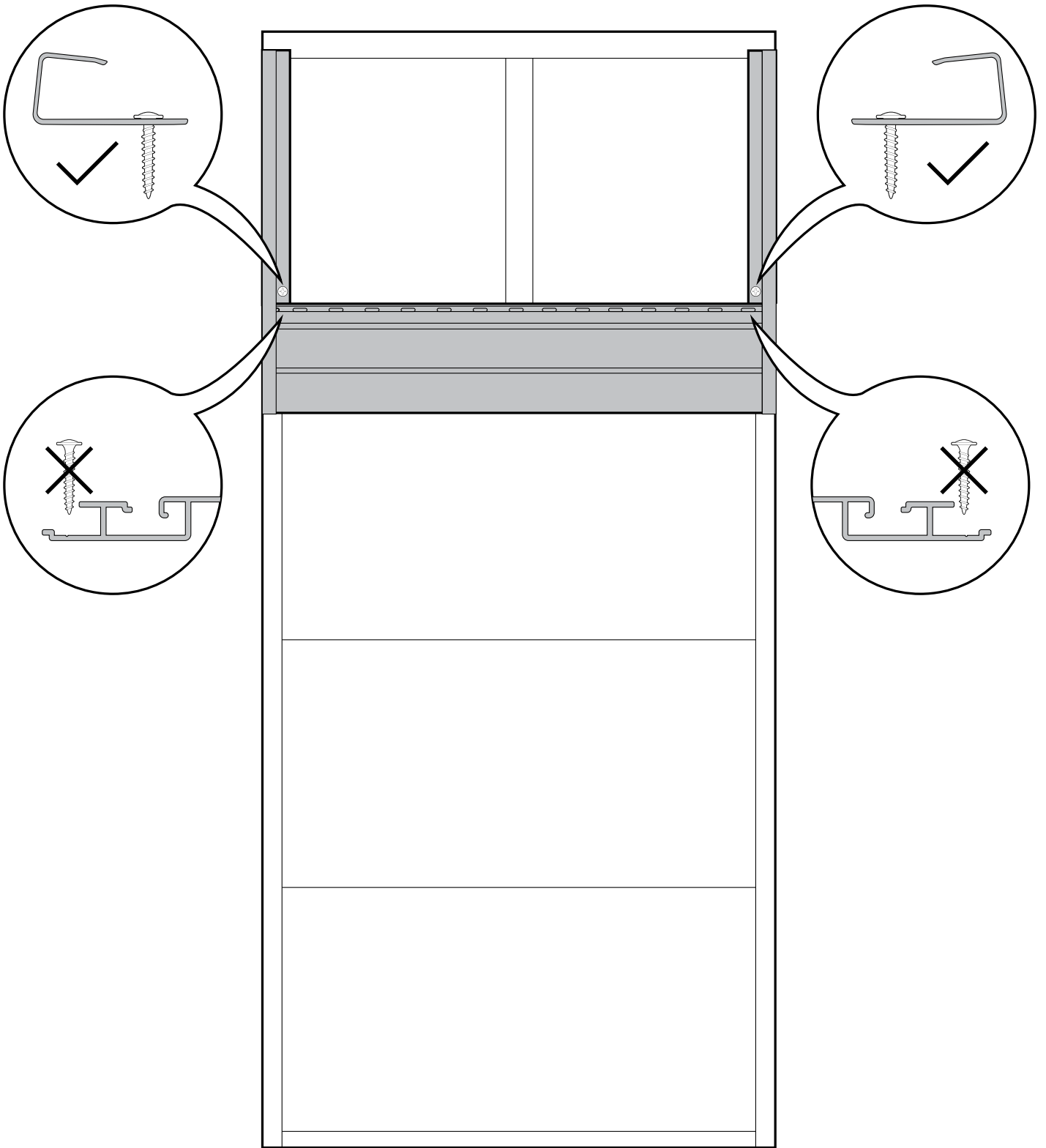


GTL1841608

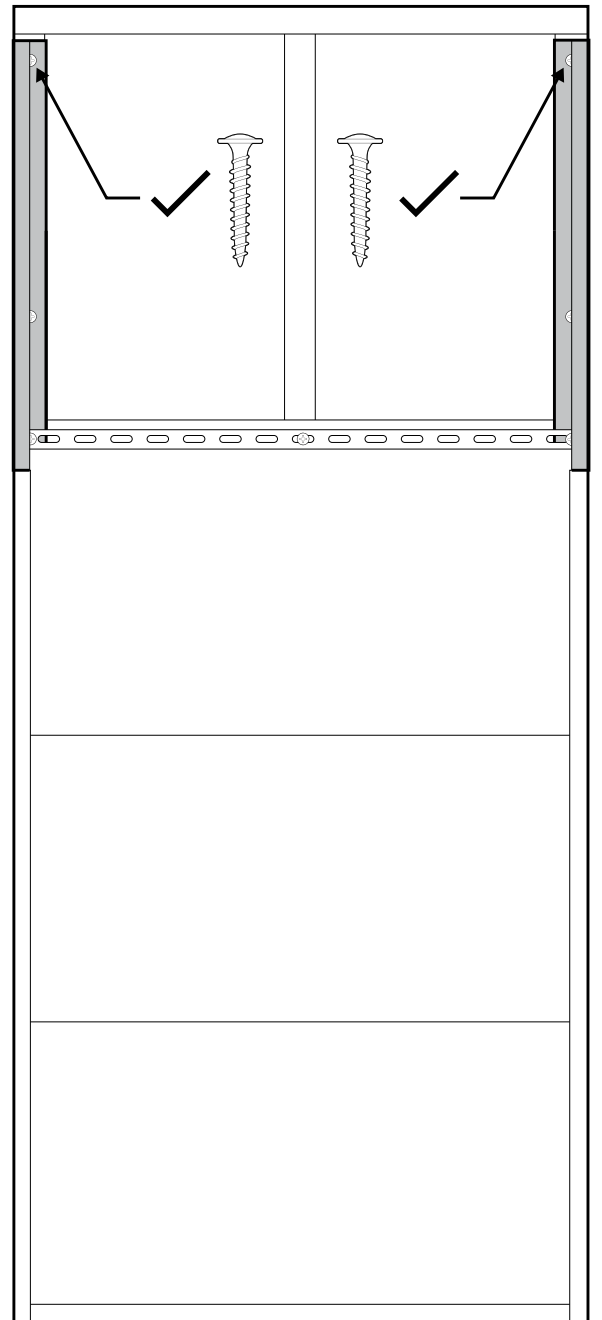
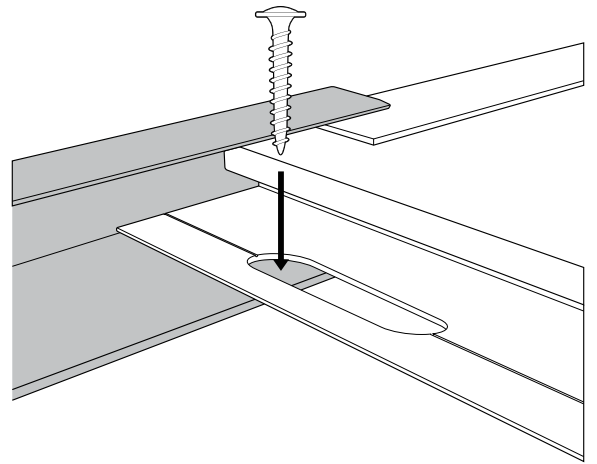
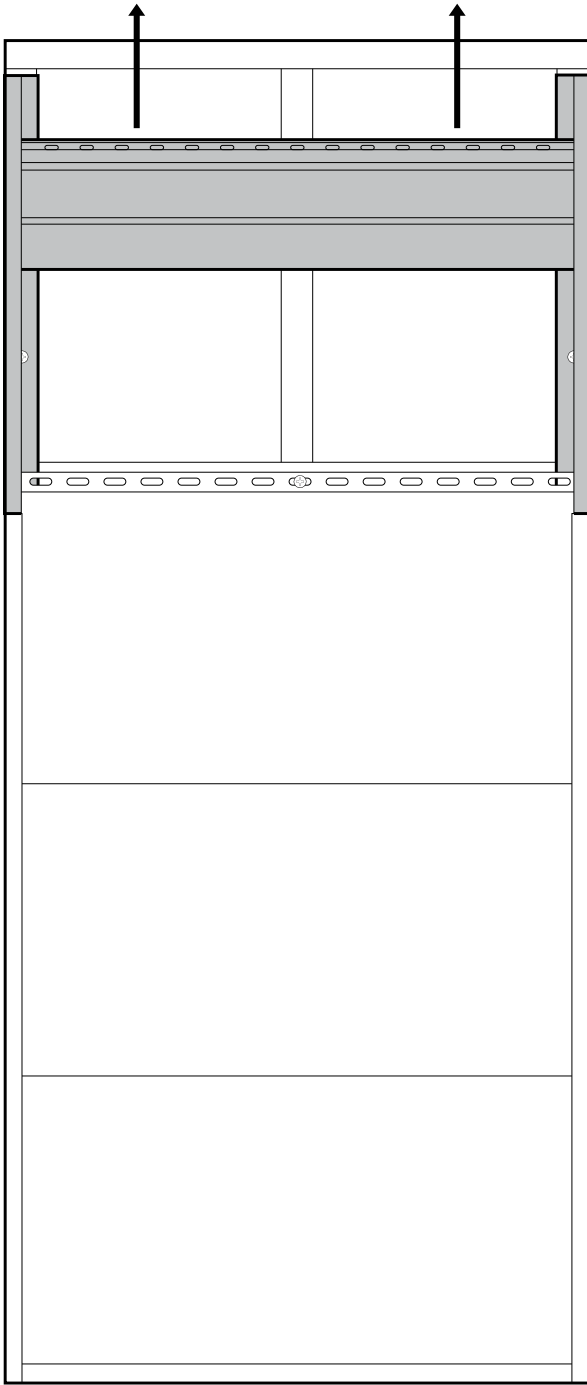


5

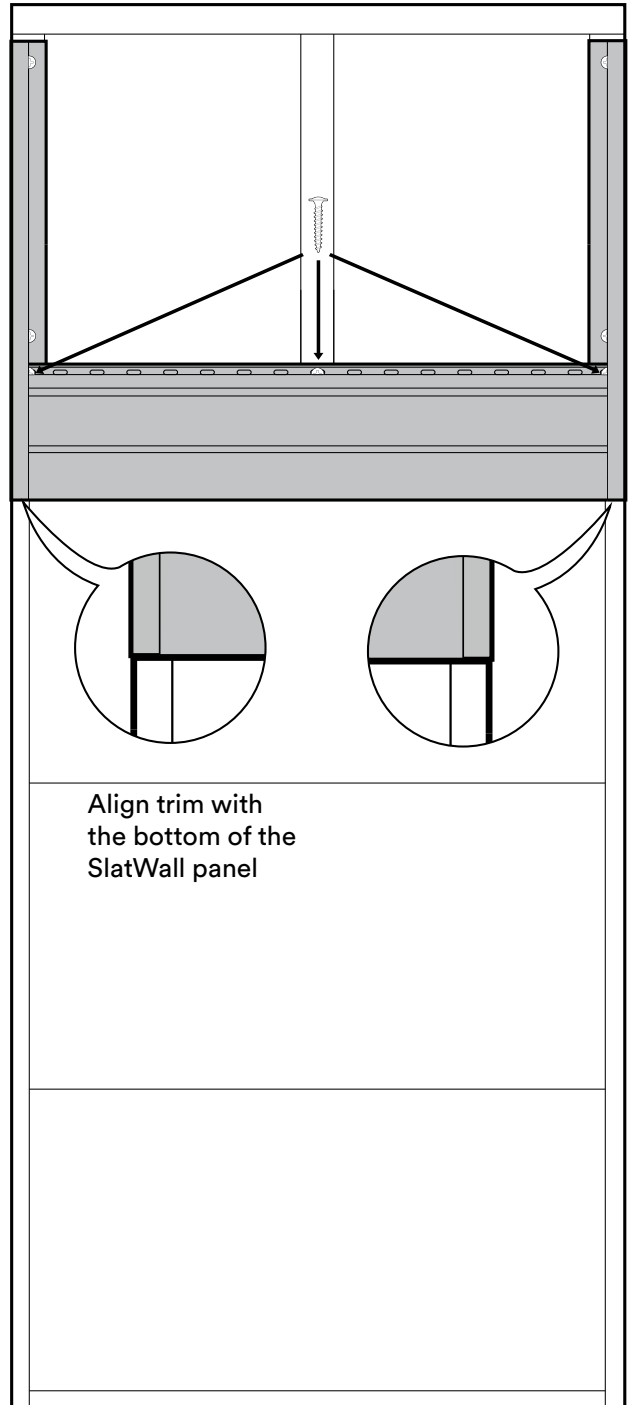
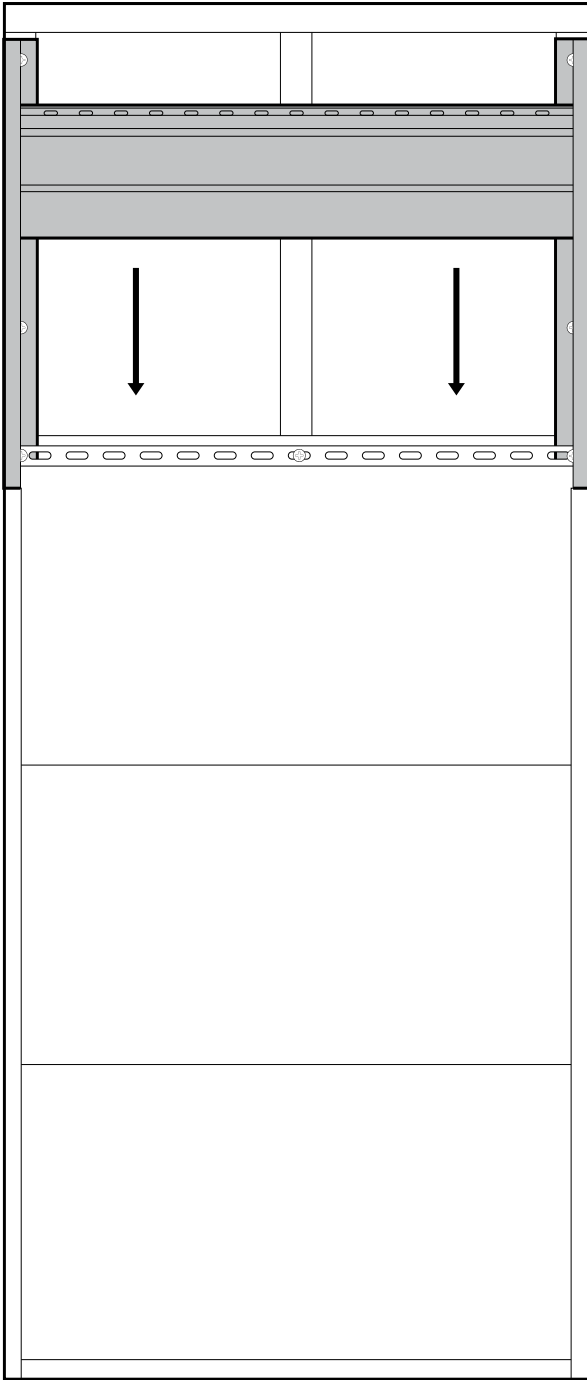




6

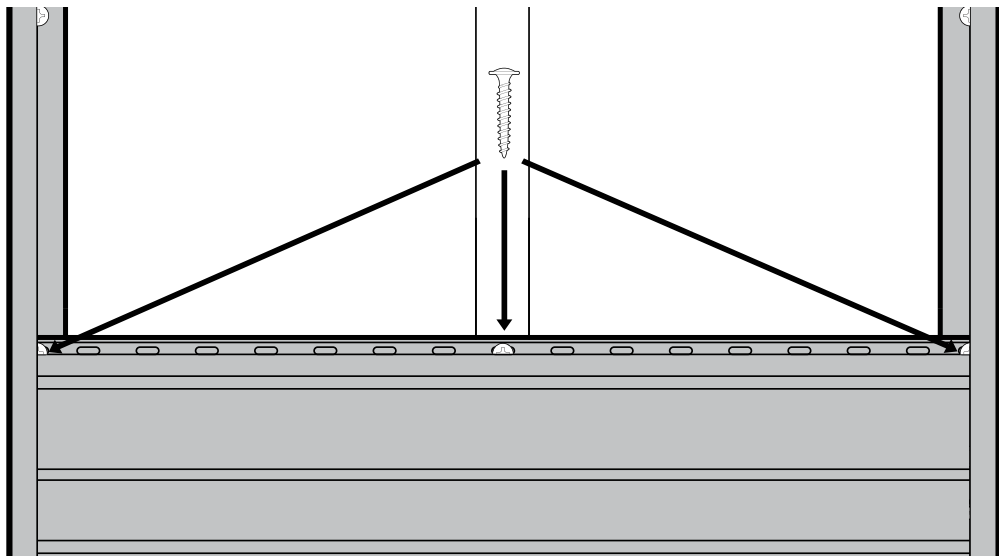
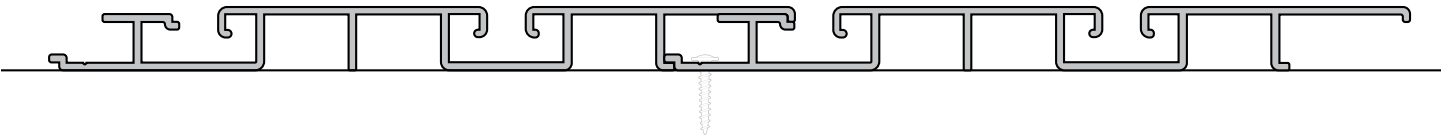
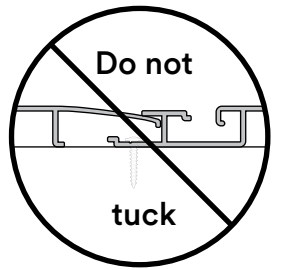
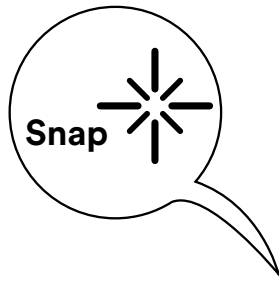
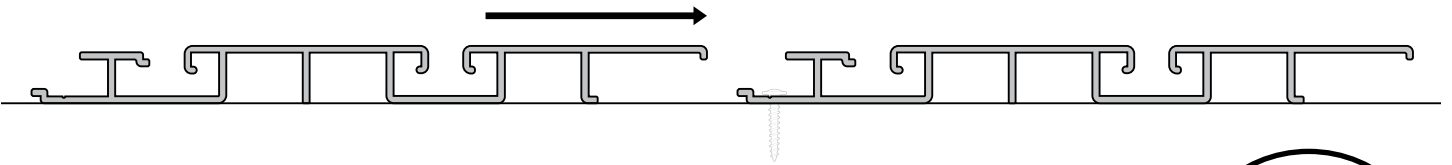
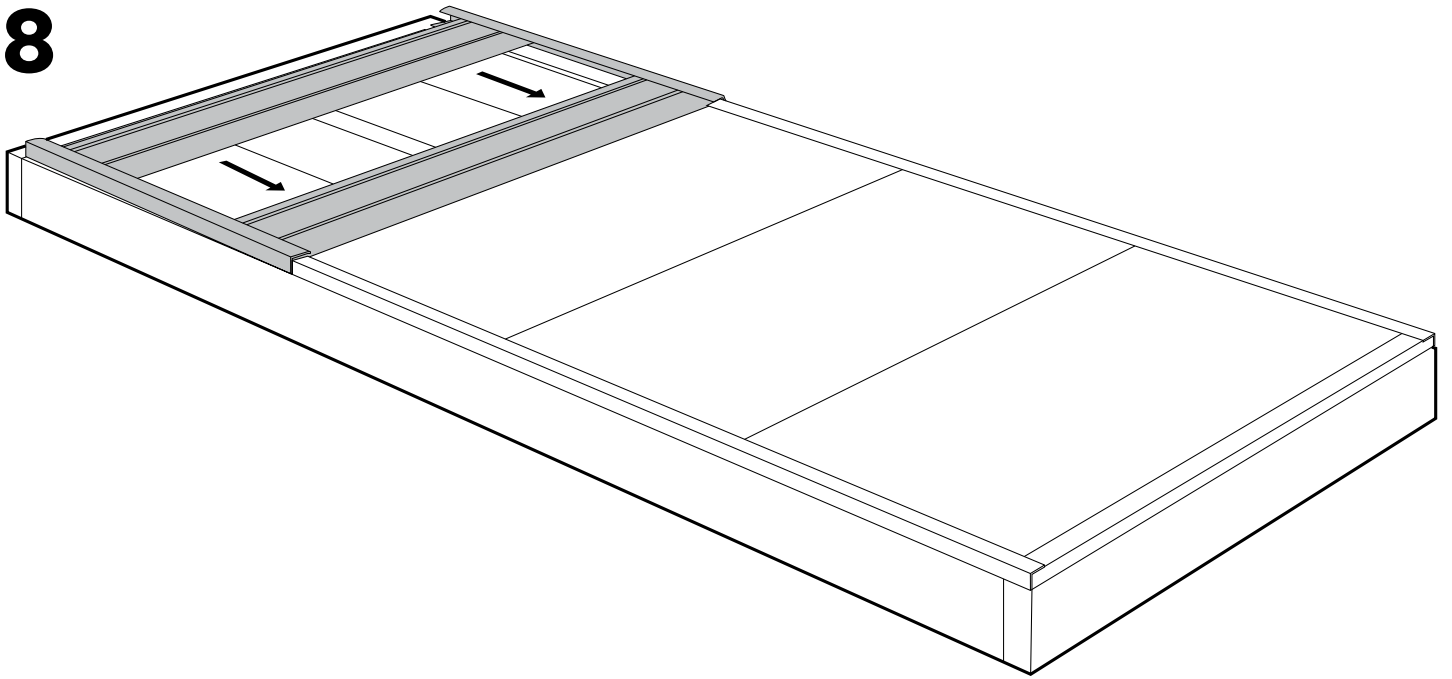


7

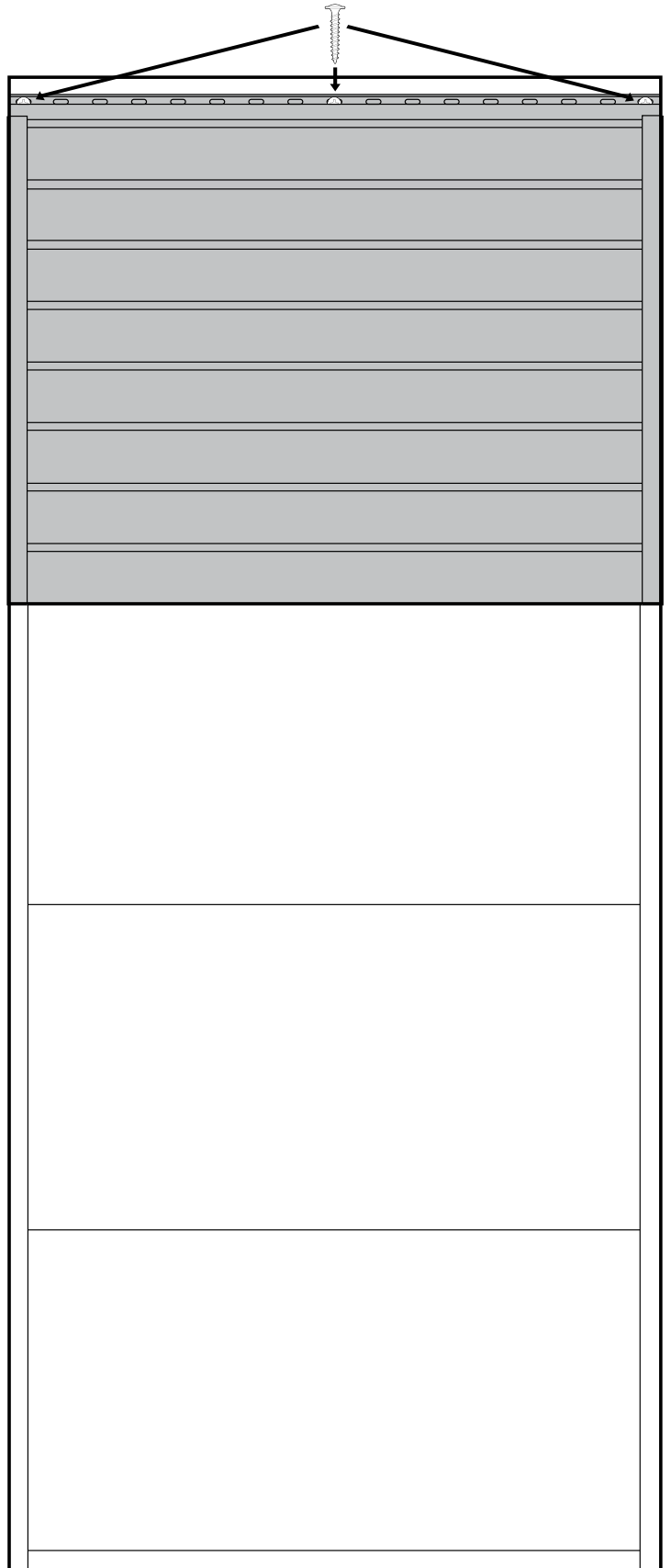
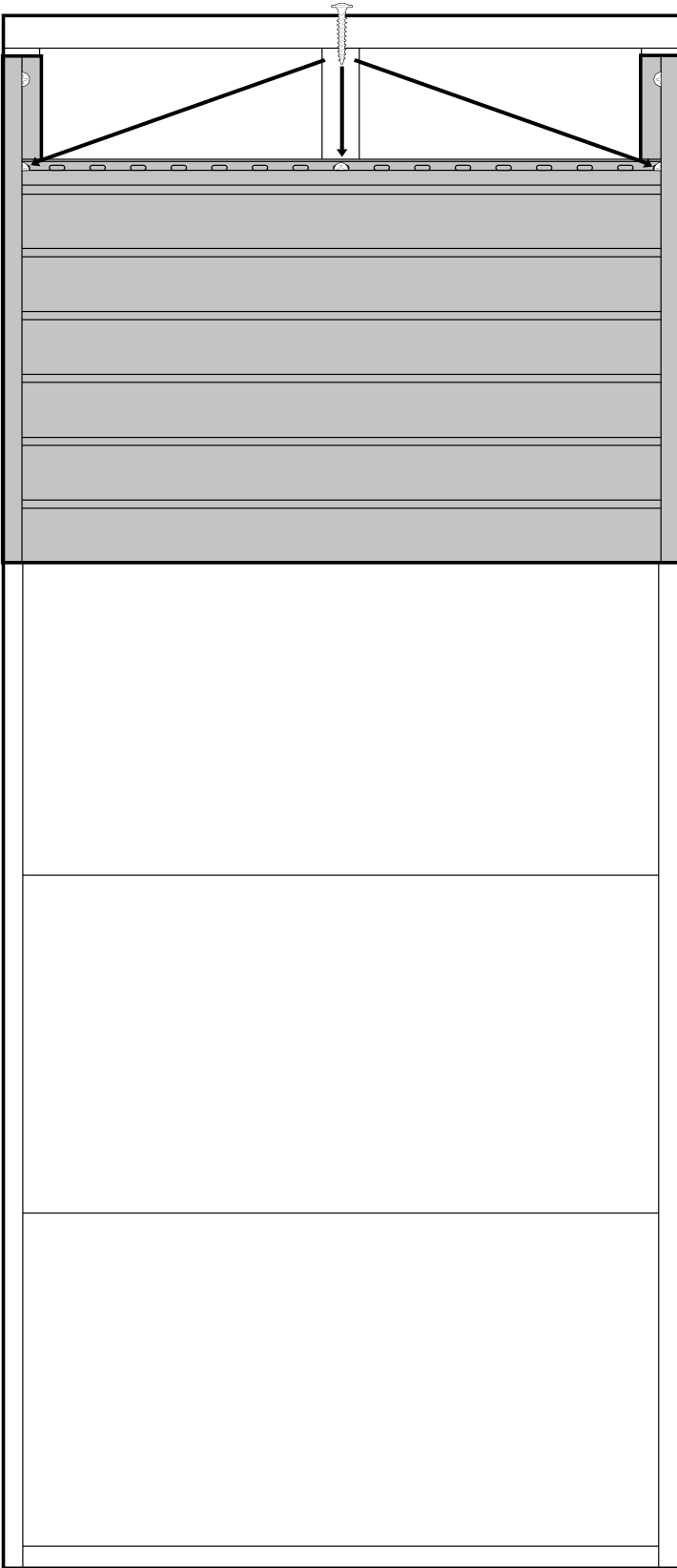


Align trim with
the bottom of the
SlatWall panel

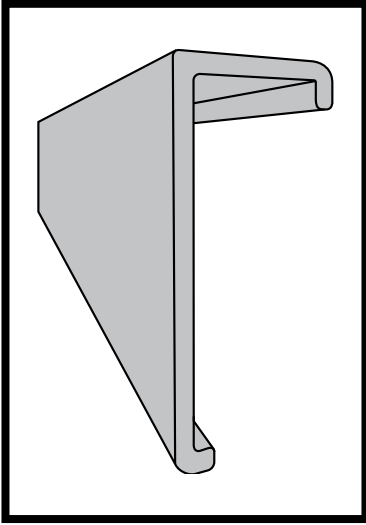
8



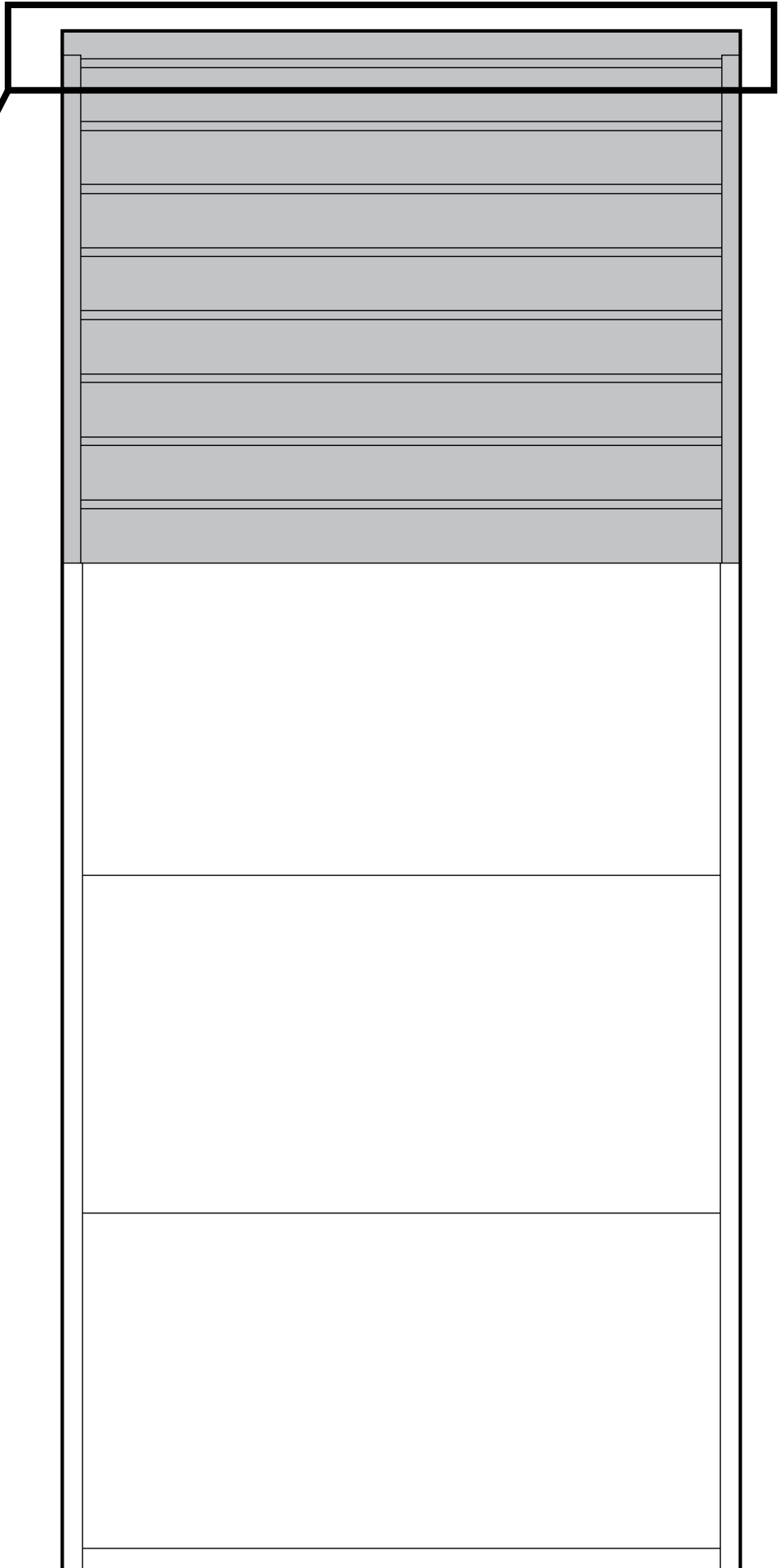
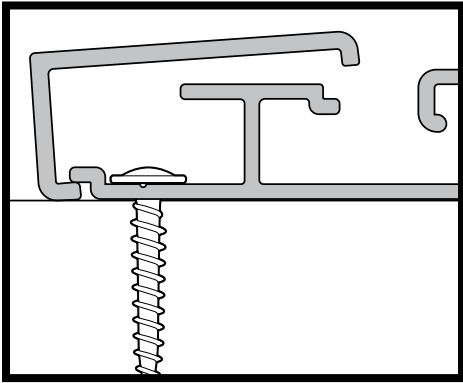
9



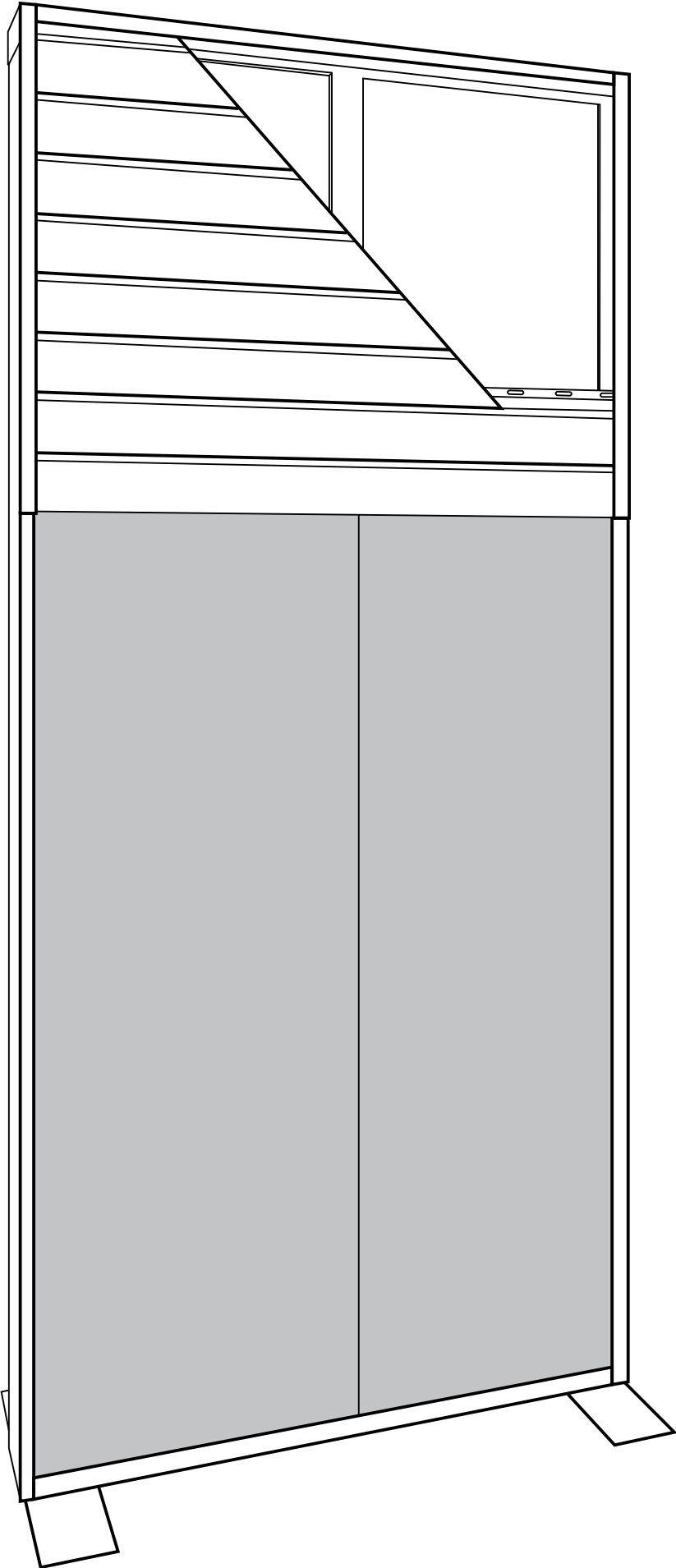
10



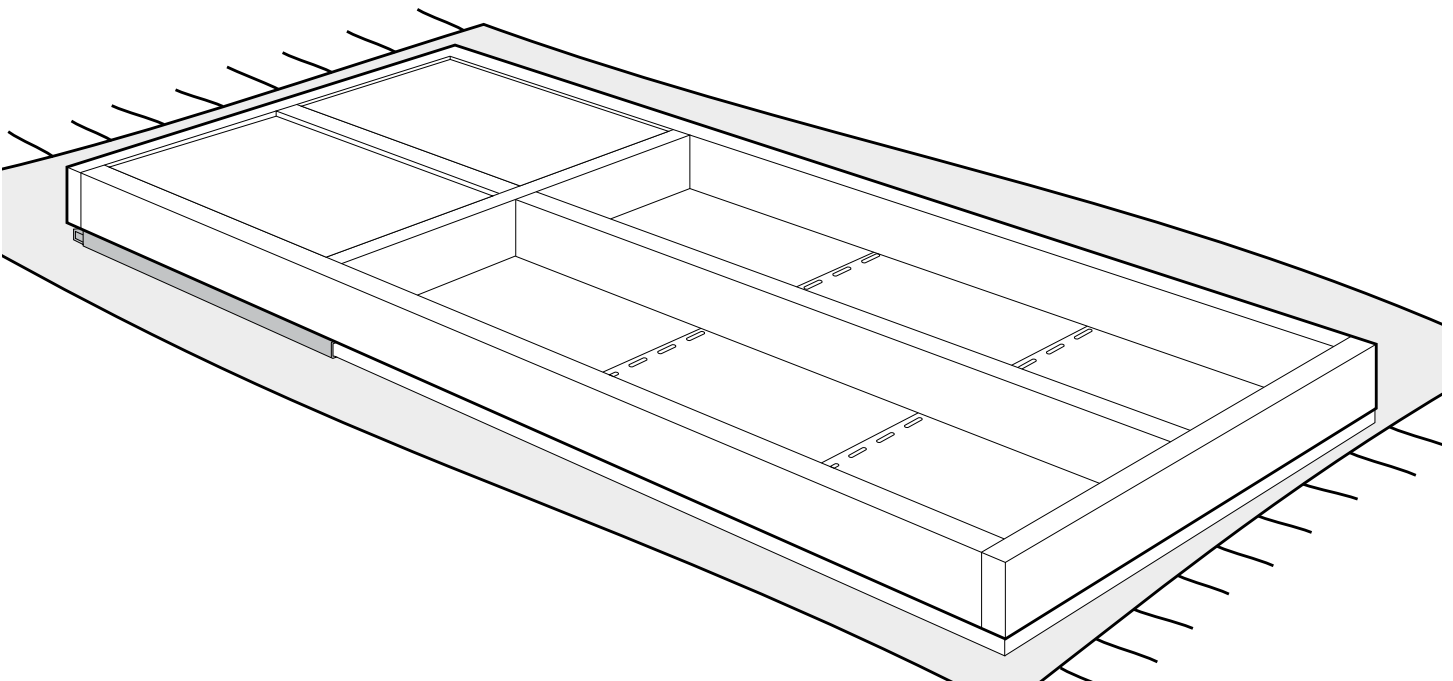
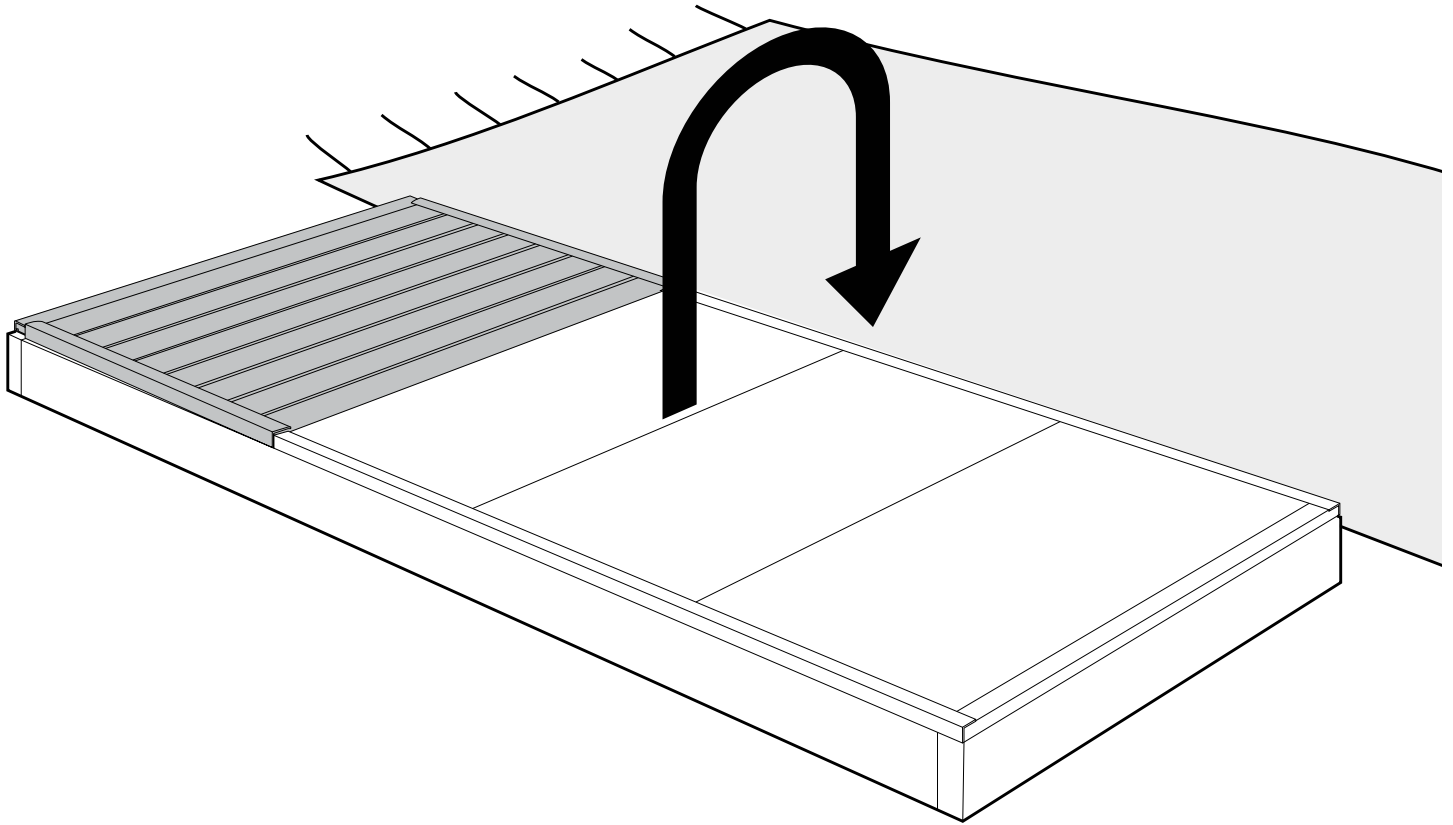
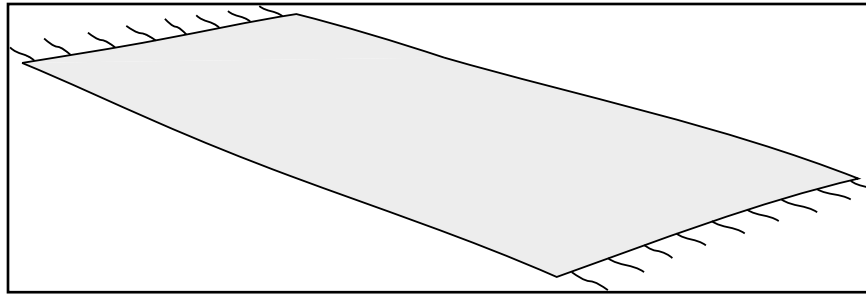
GTLT58TC08



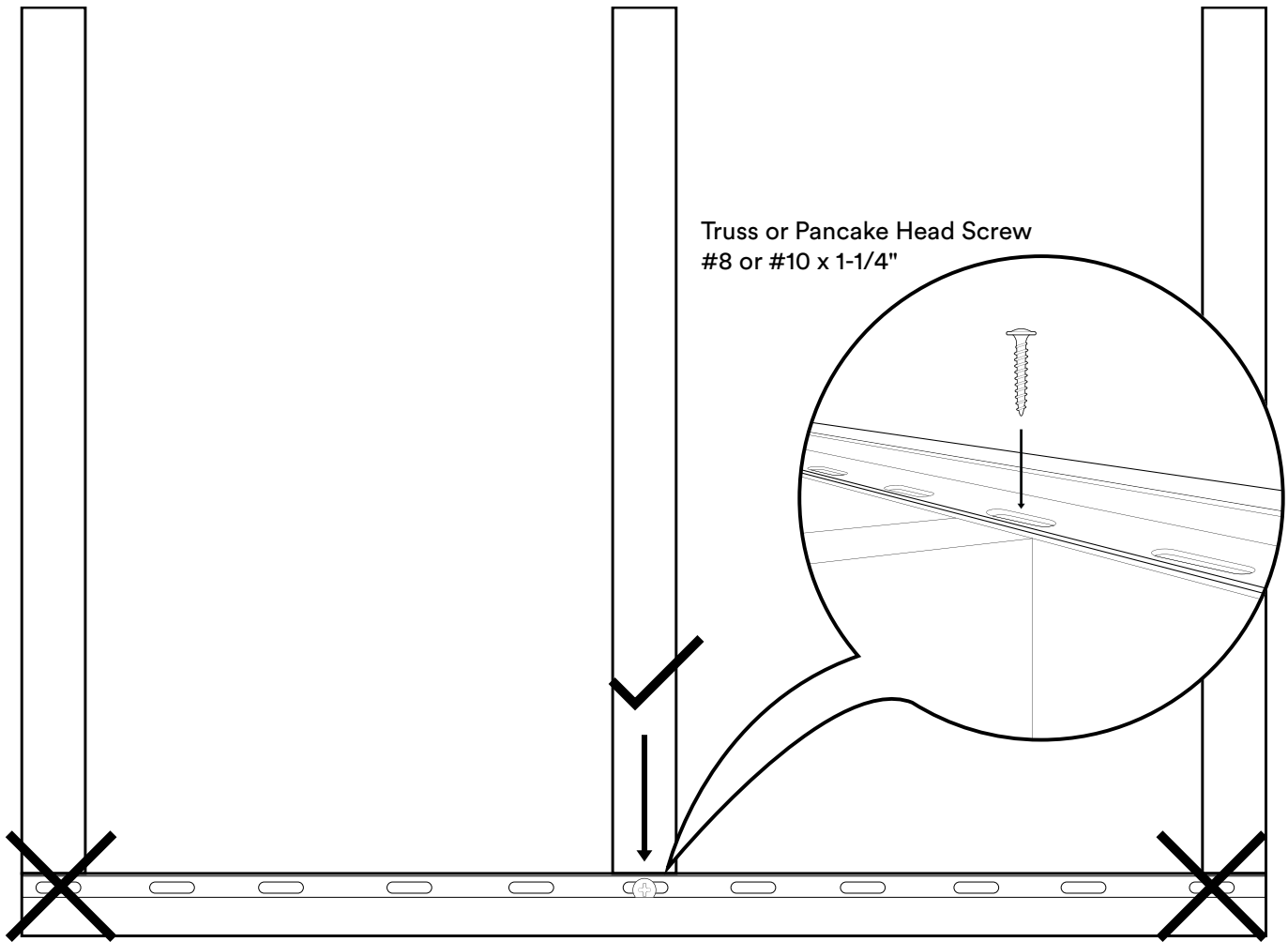
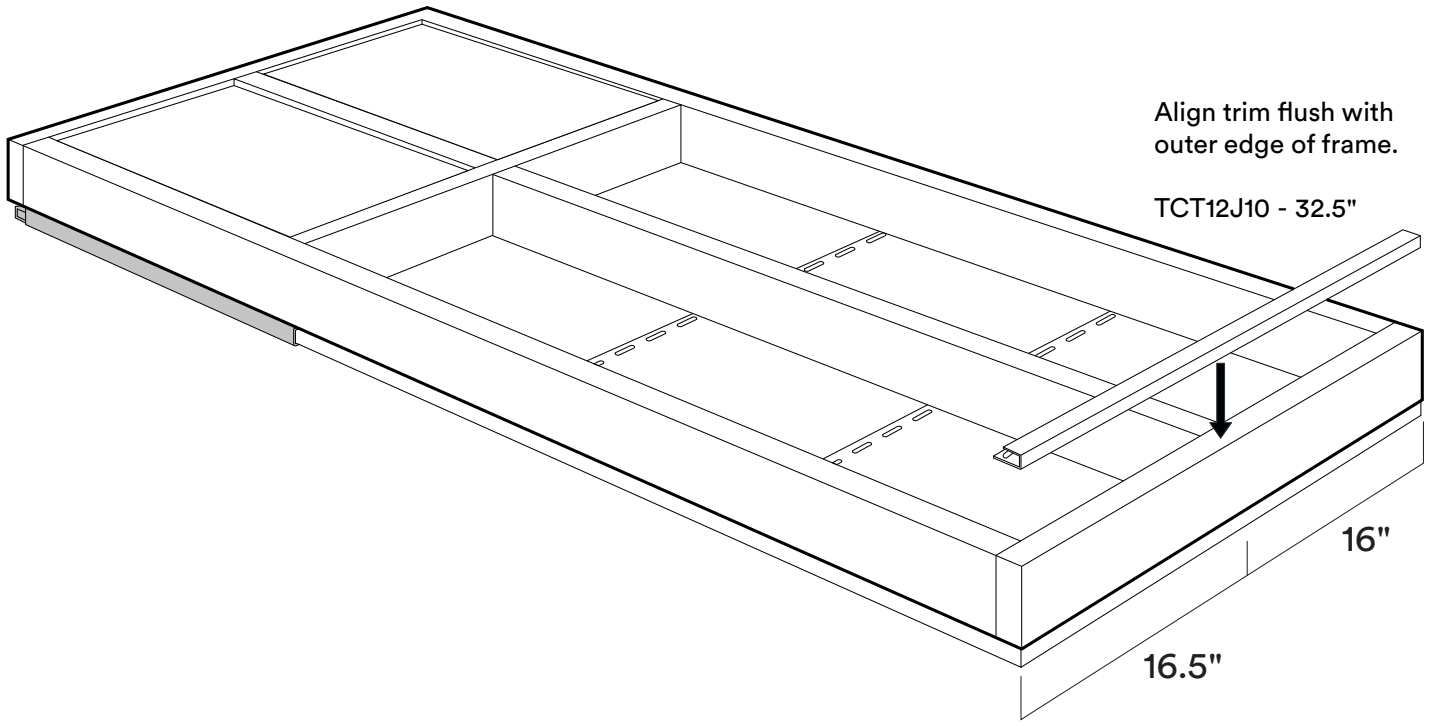
Side 2



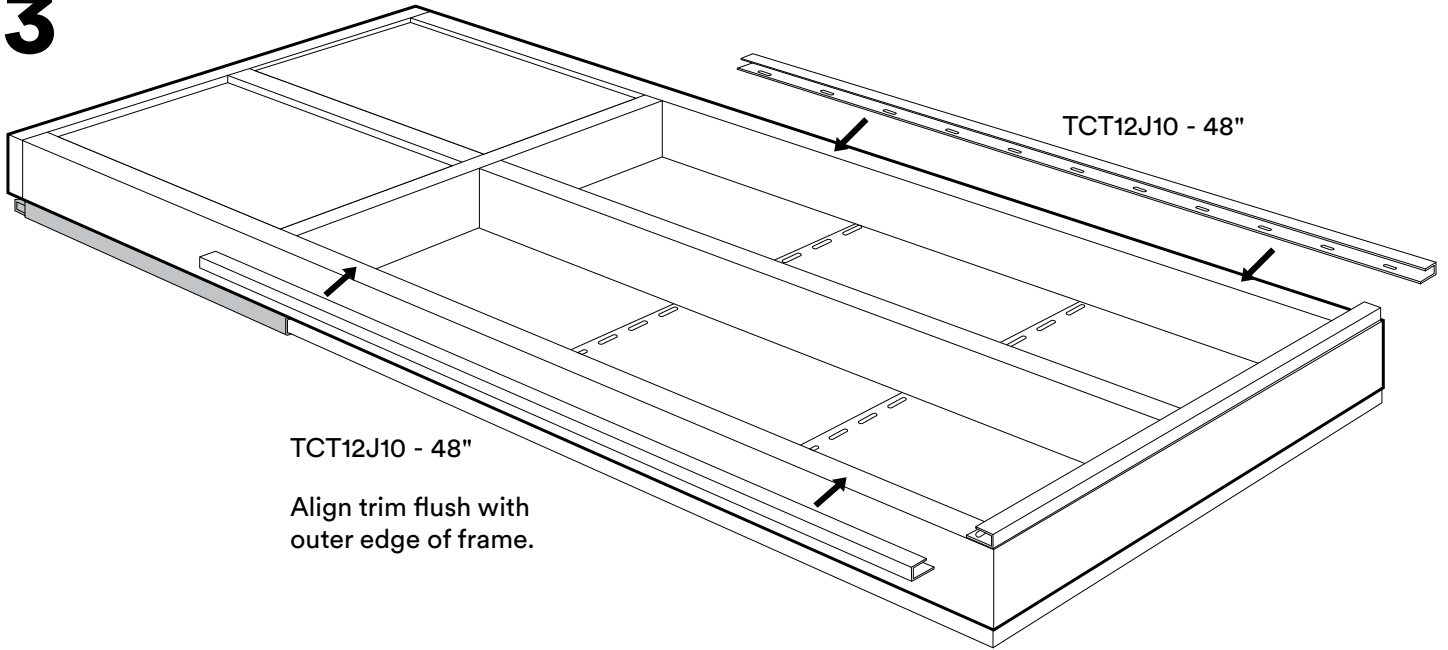
1



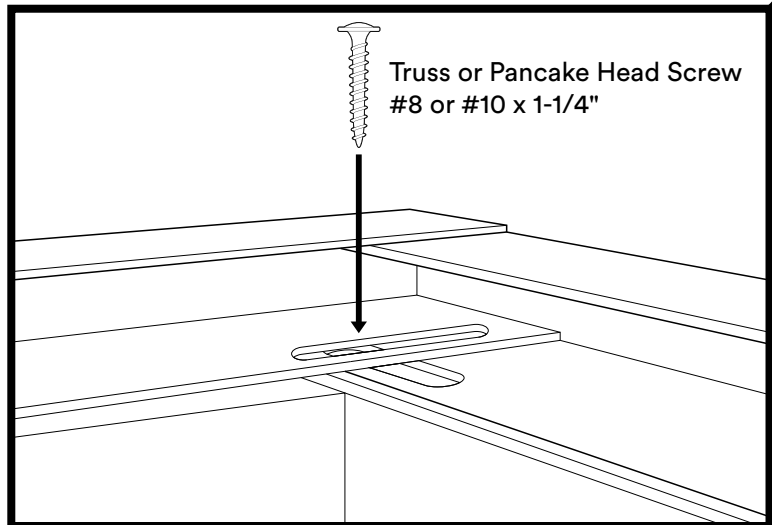
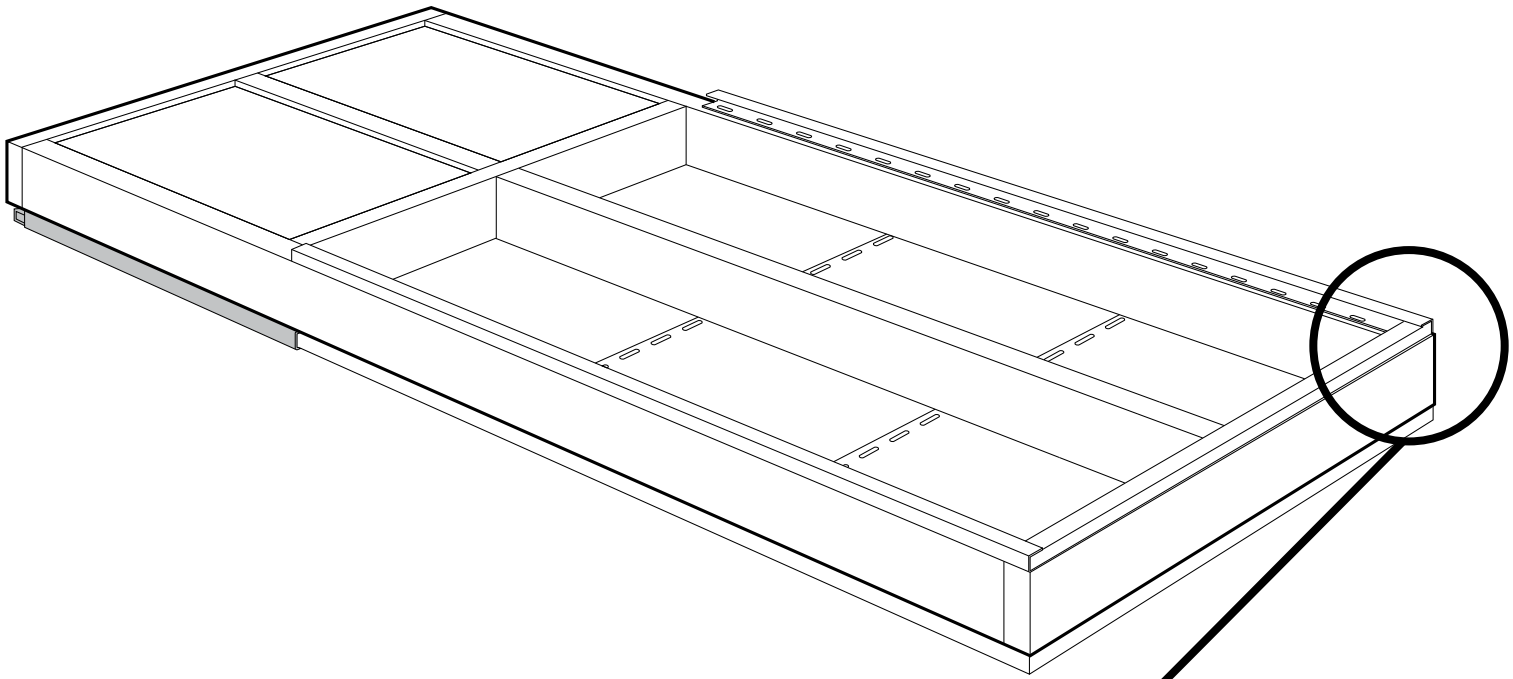
2

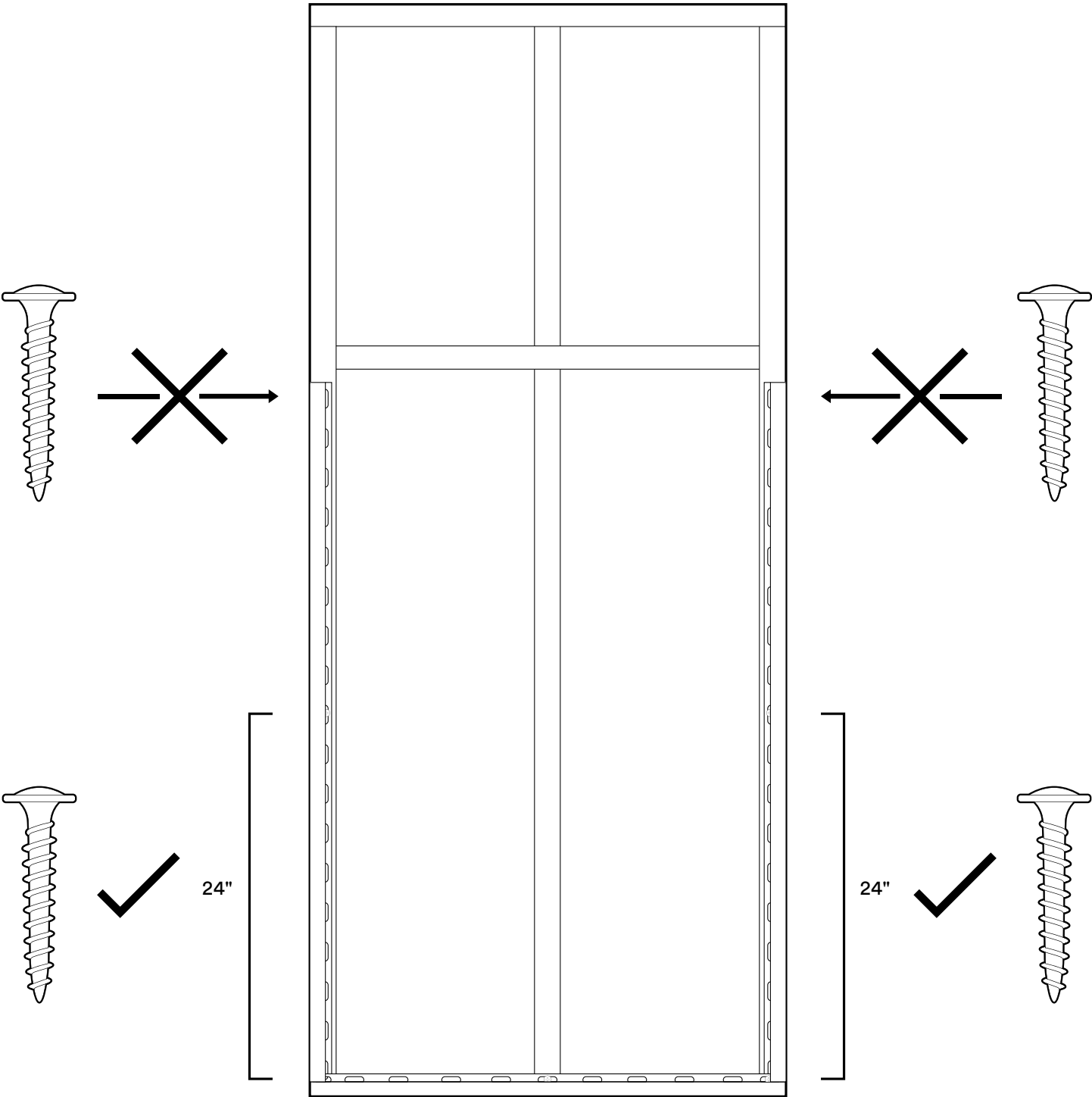


3

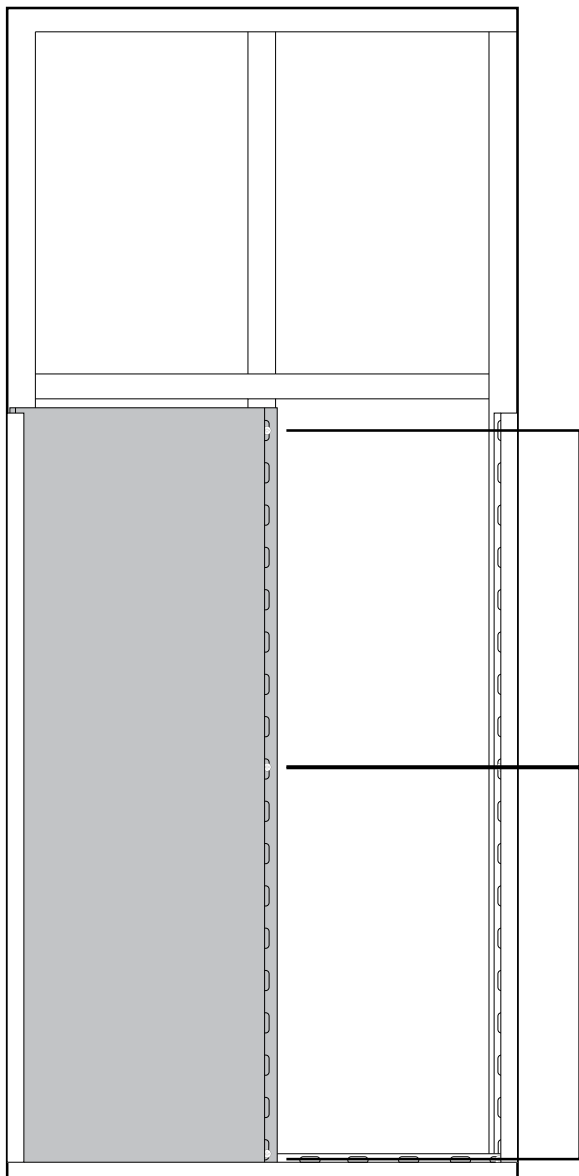
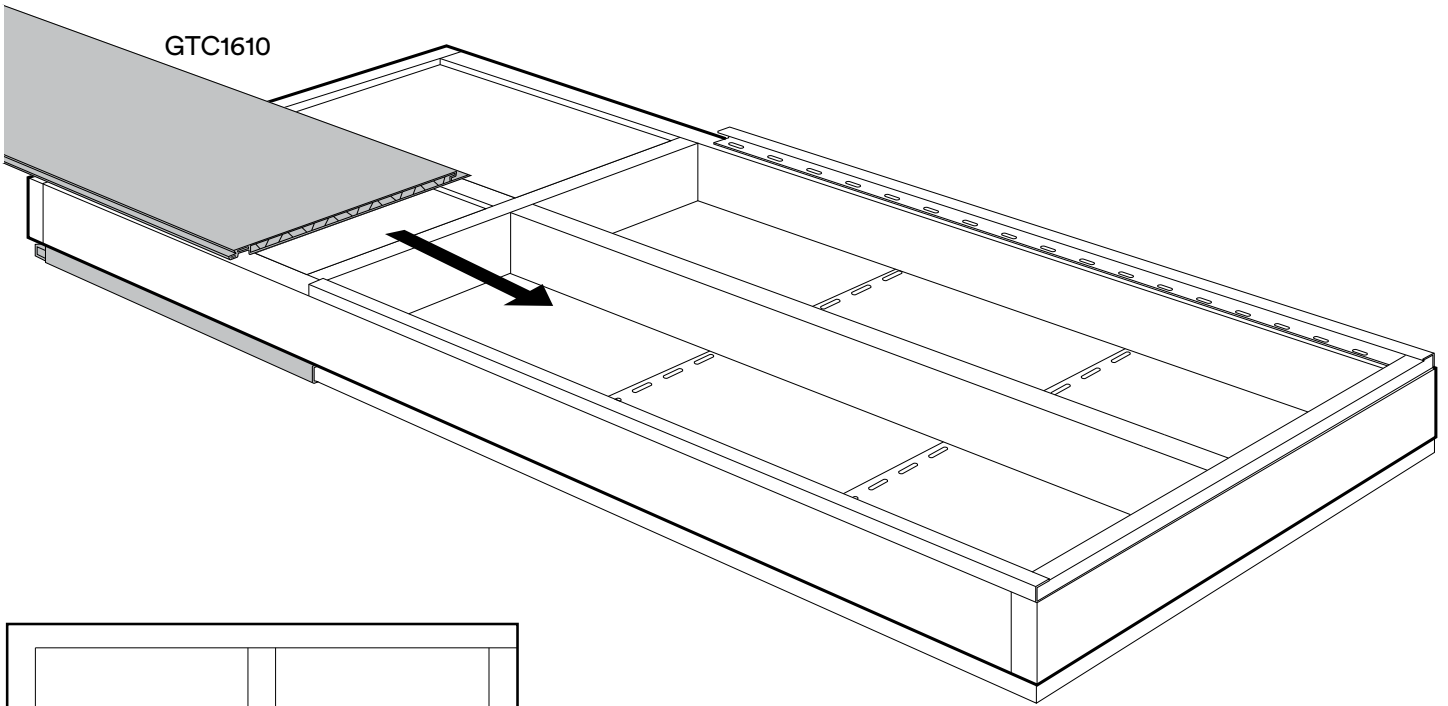


Align trim flush with
outer edge of frame.

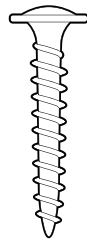




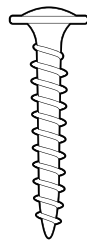
4



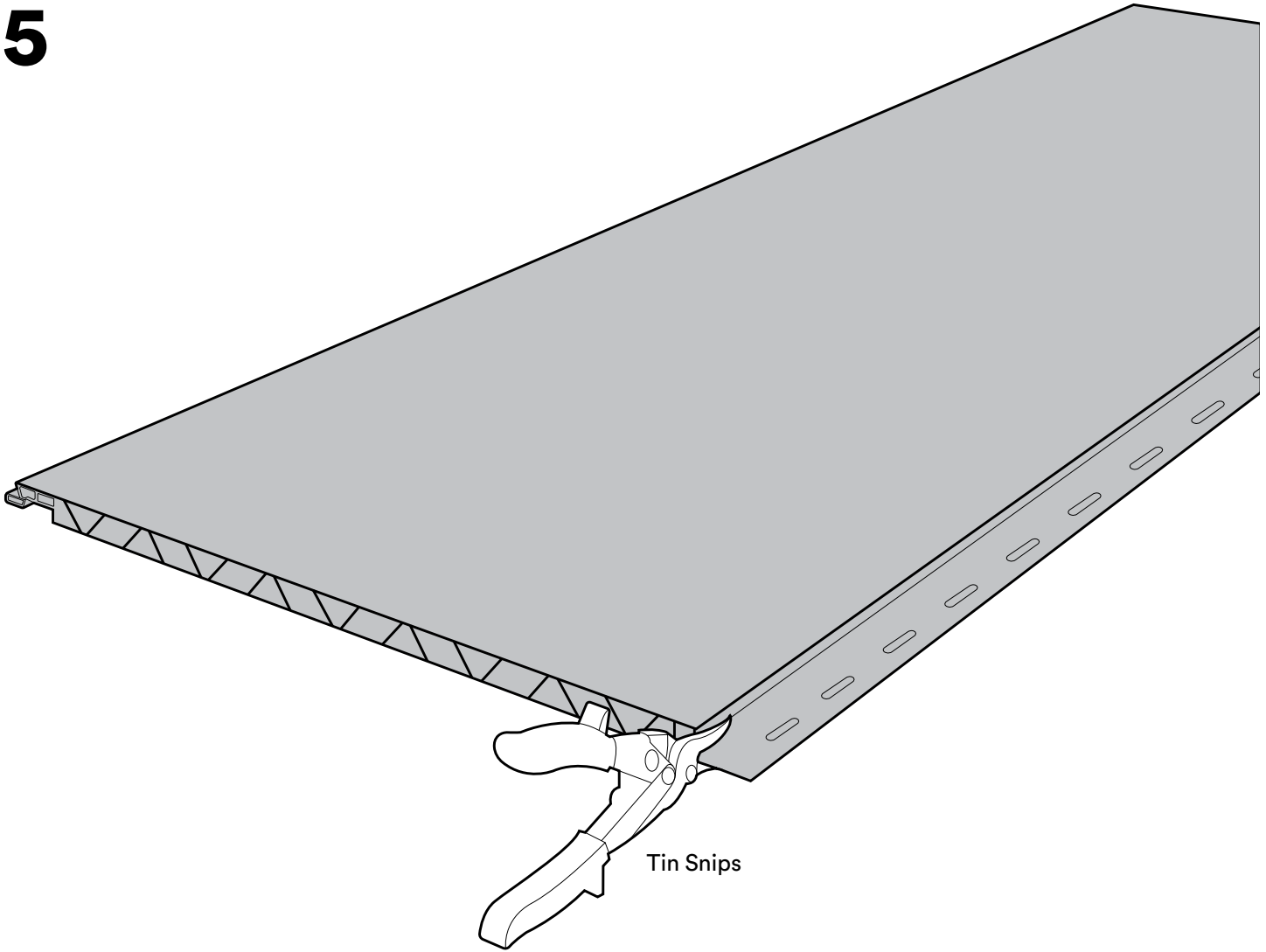
24"



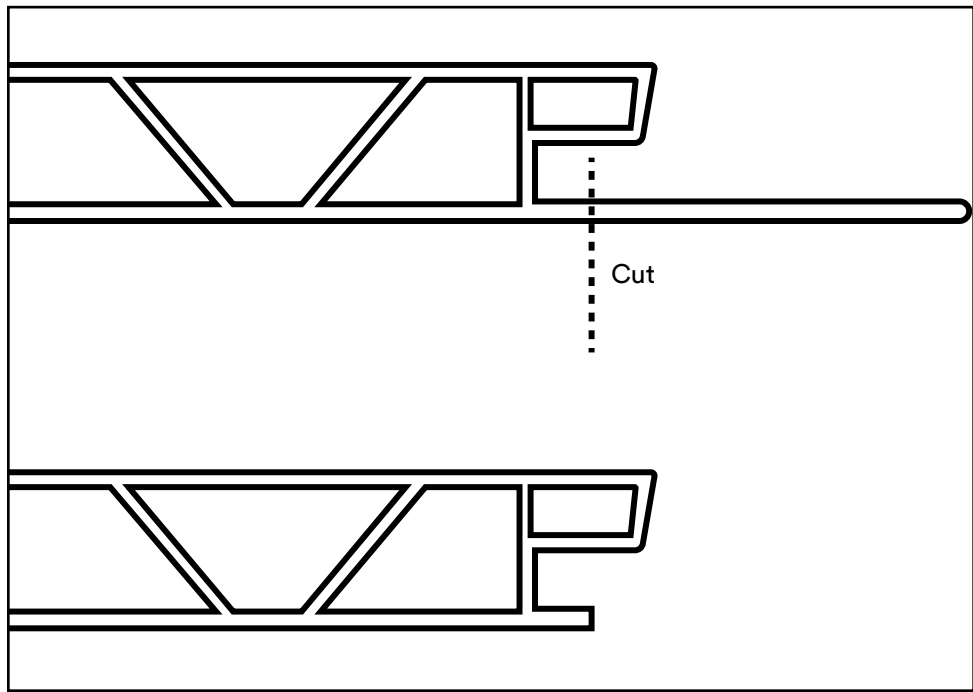
24"



5

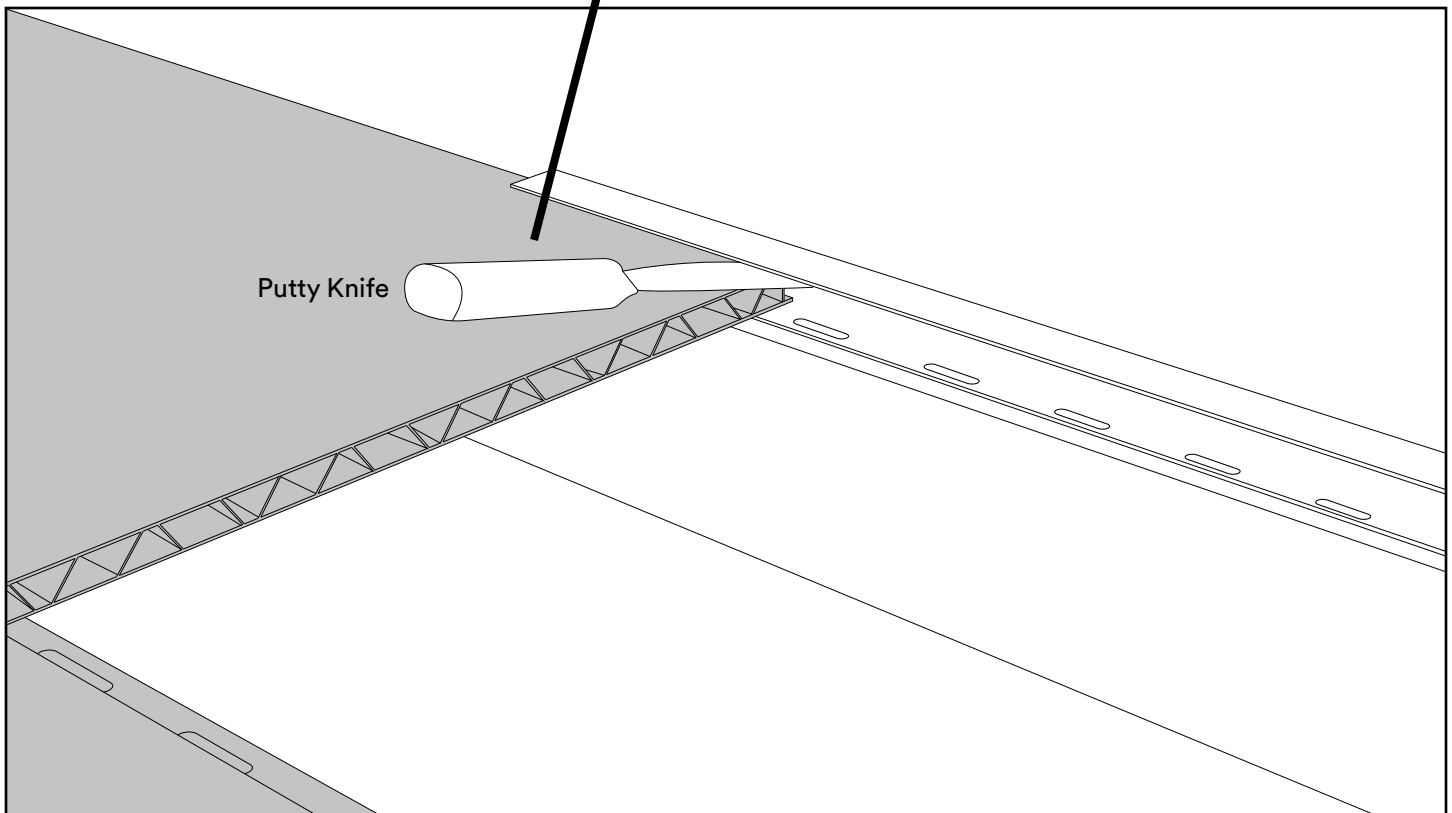
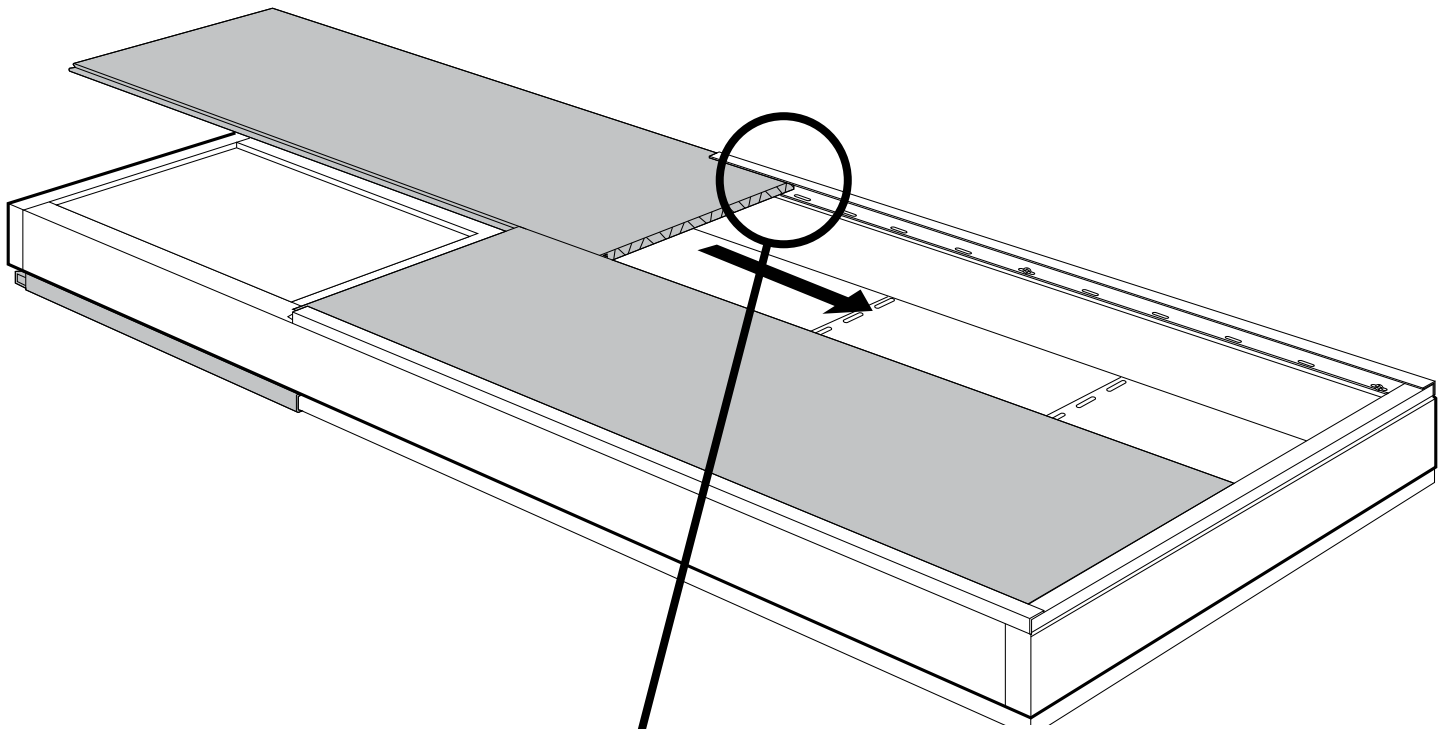


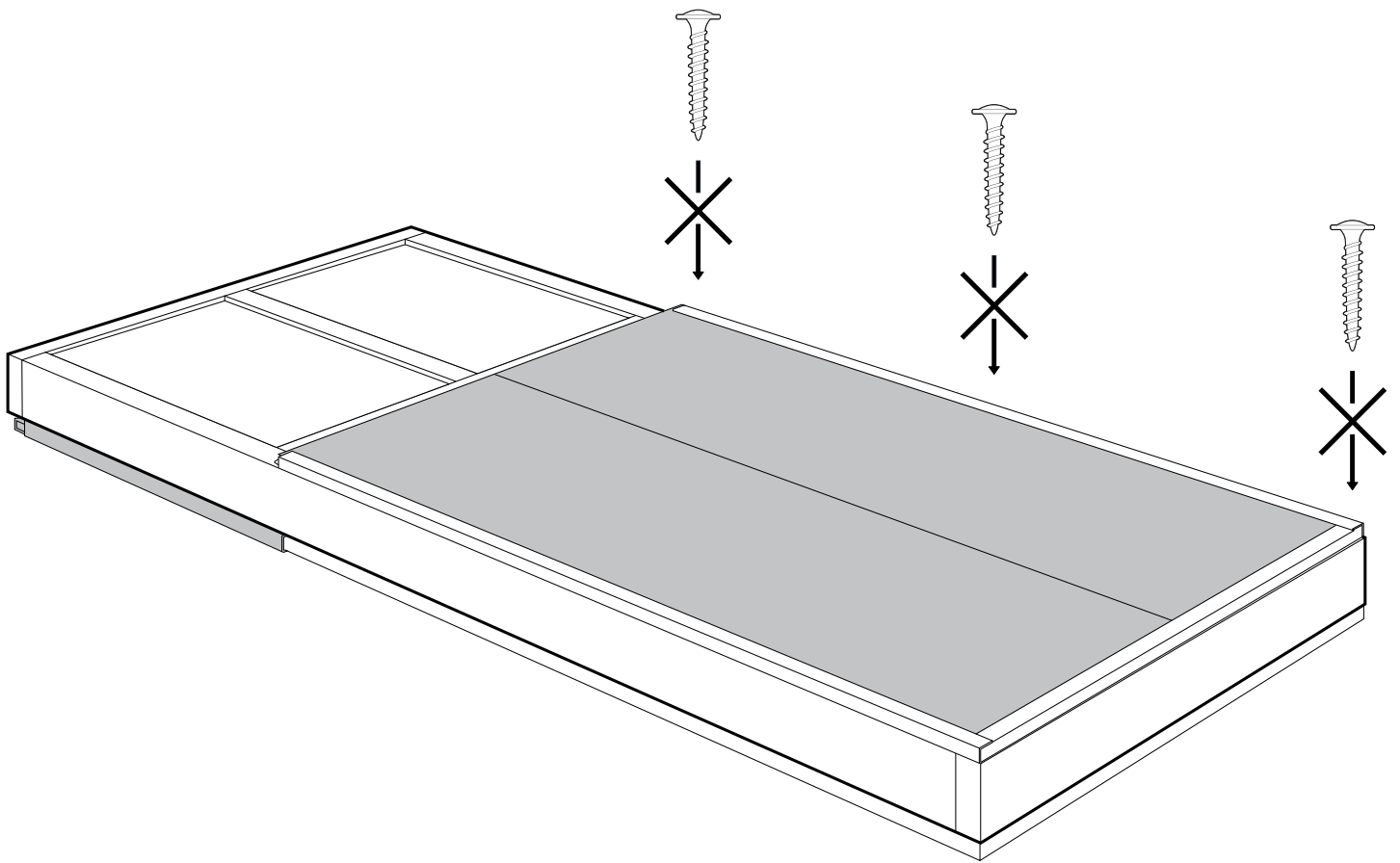
Tin Snips



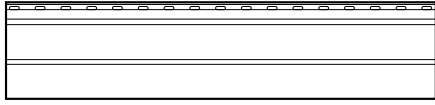
Cut

6

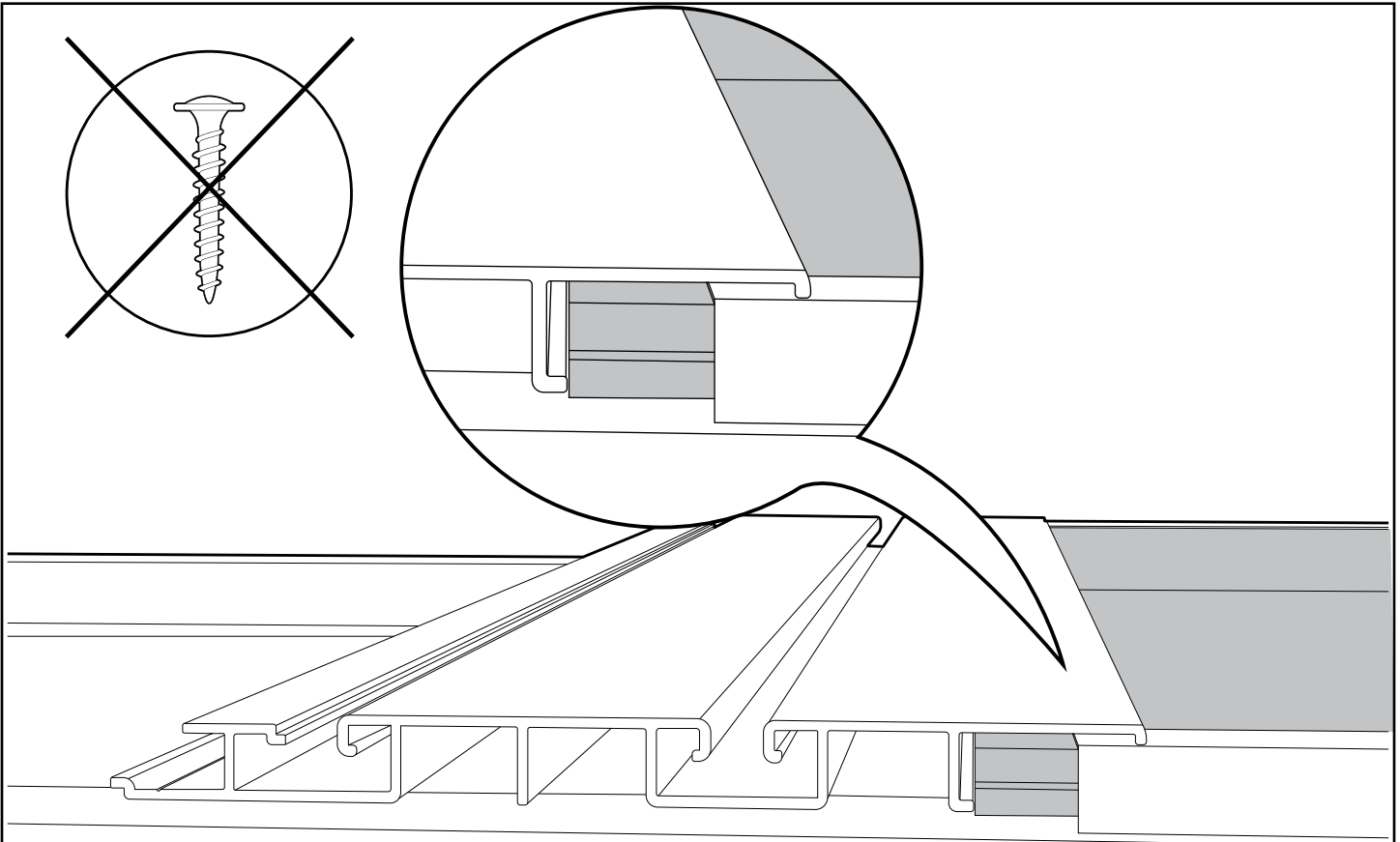
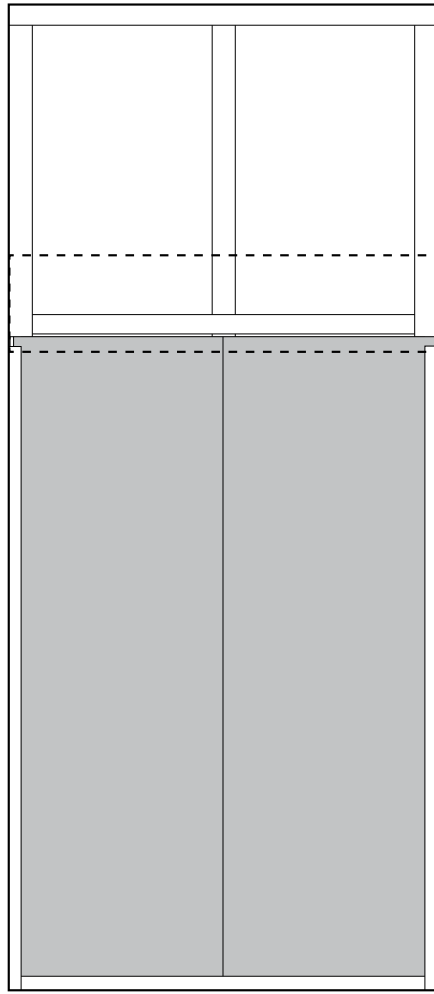




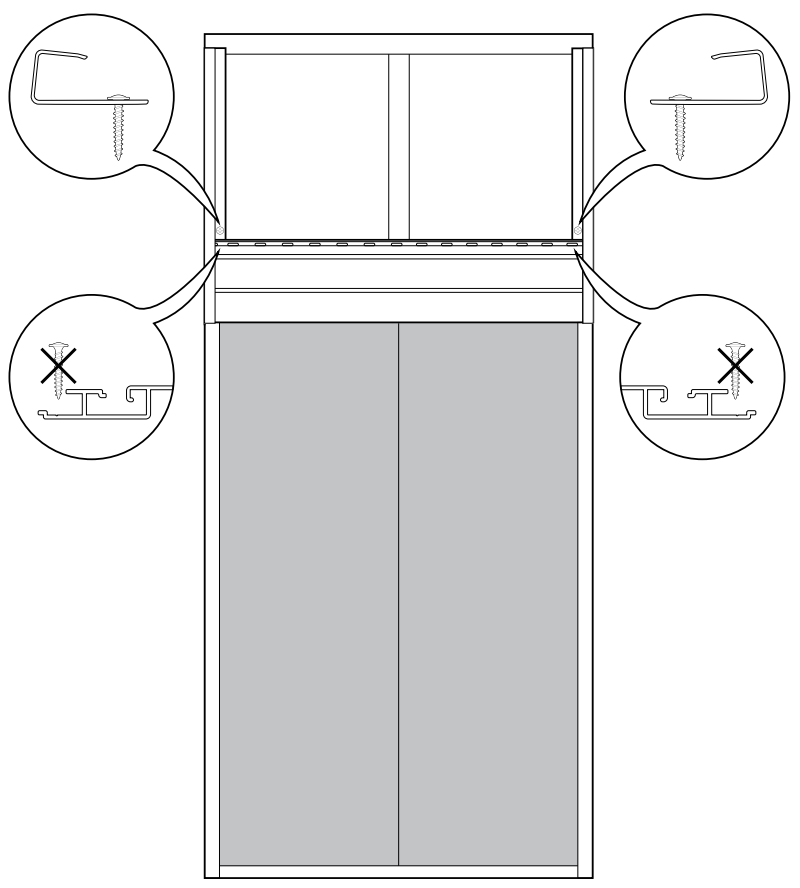
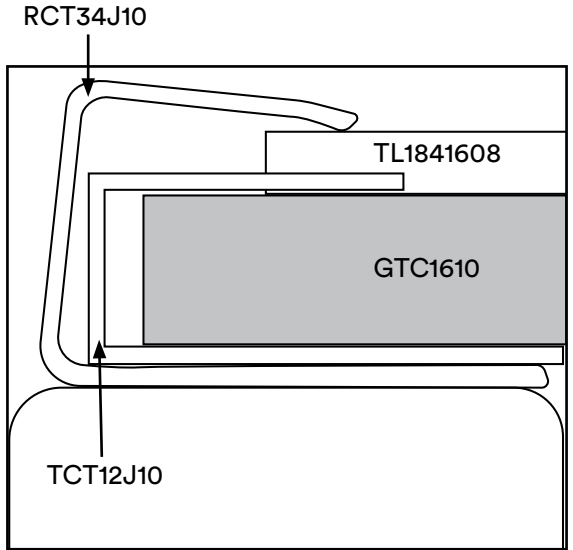
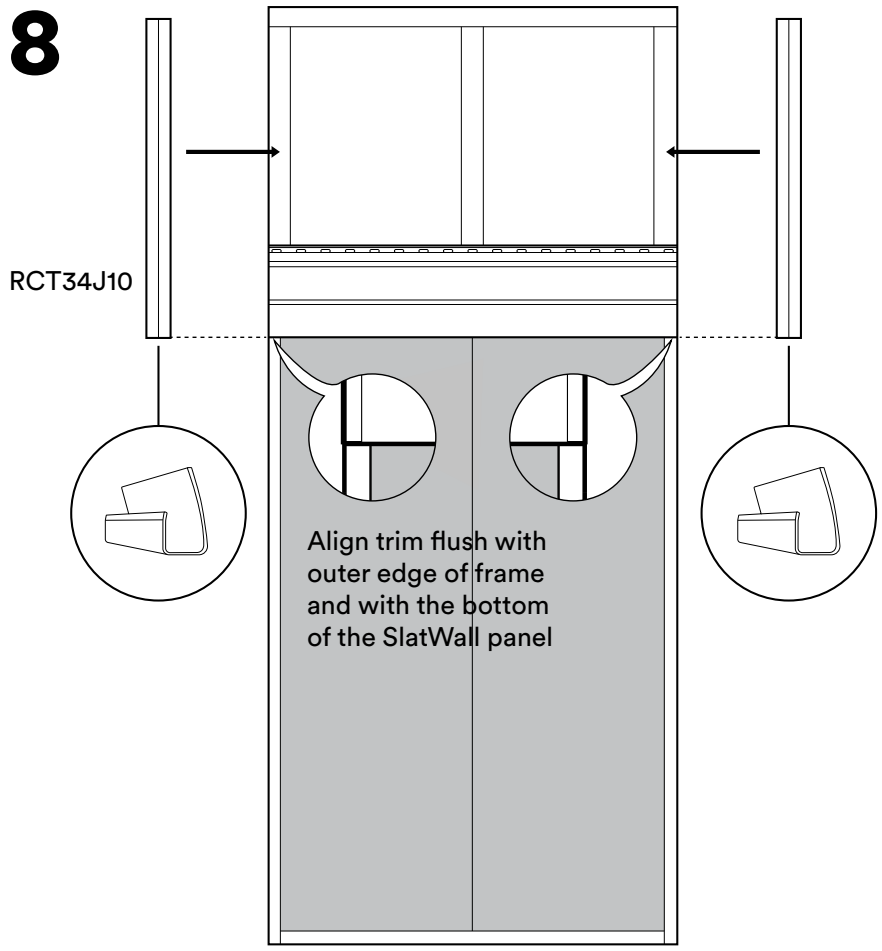
7



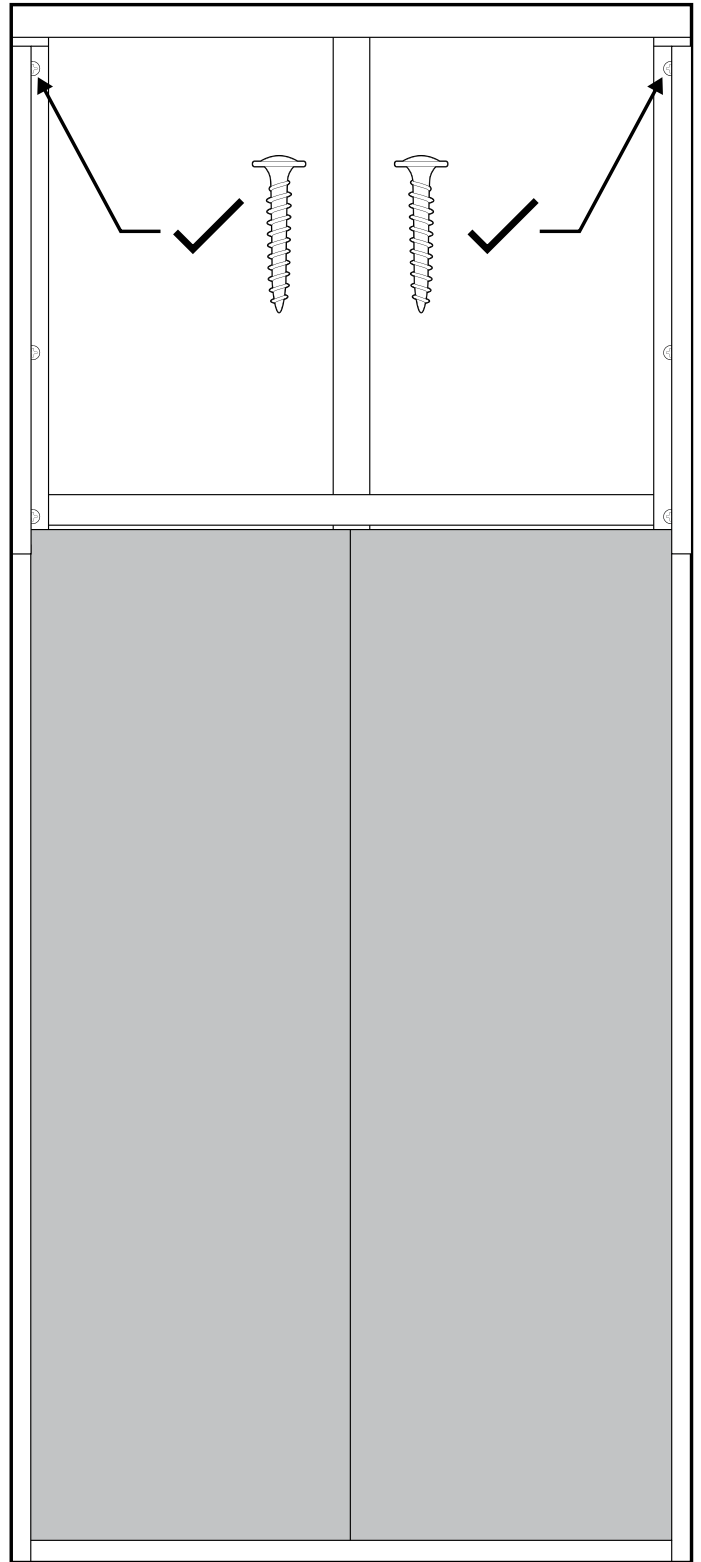
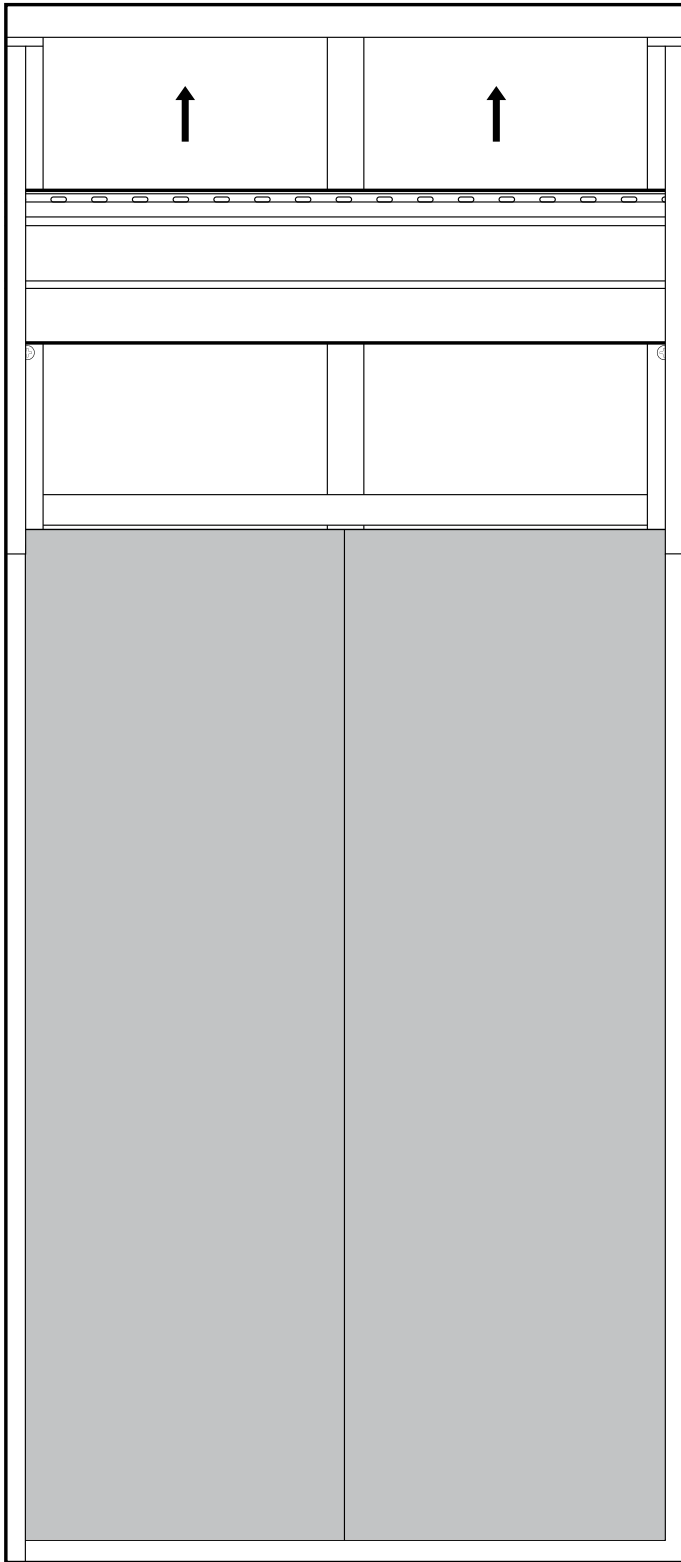
TL1841608 - 32.25"



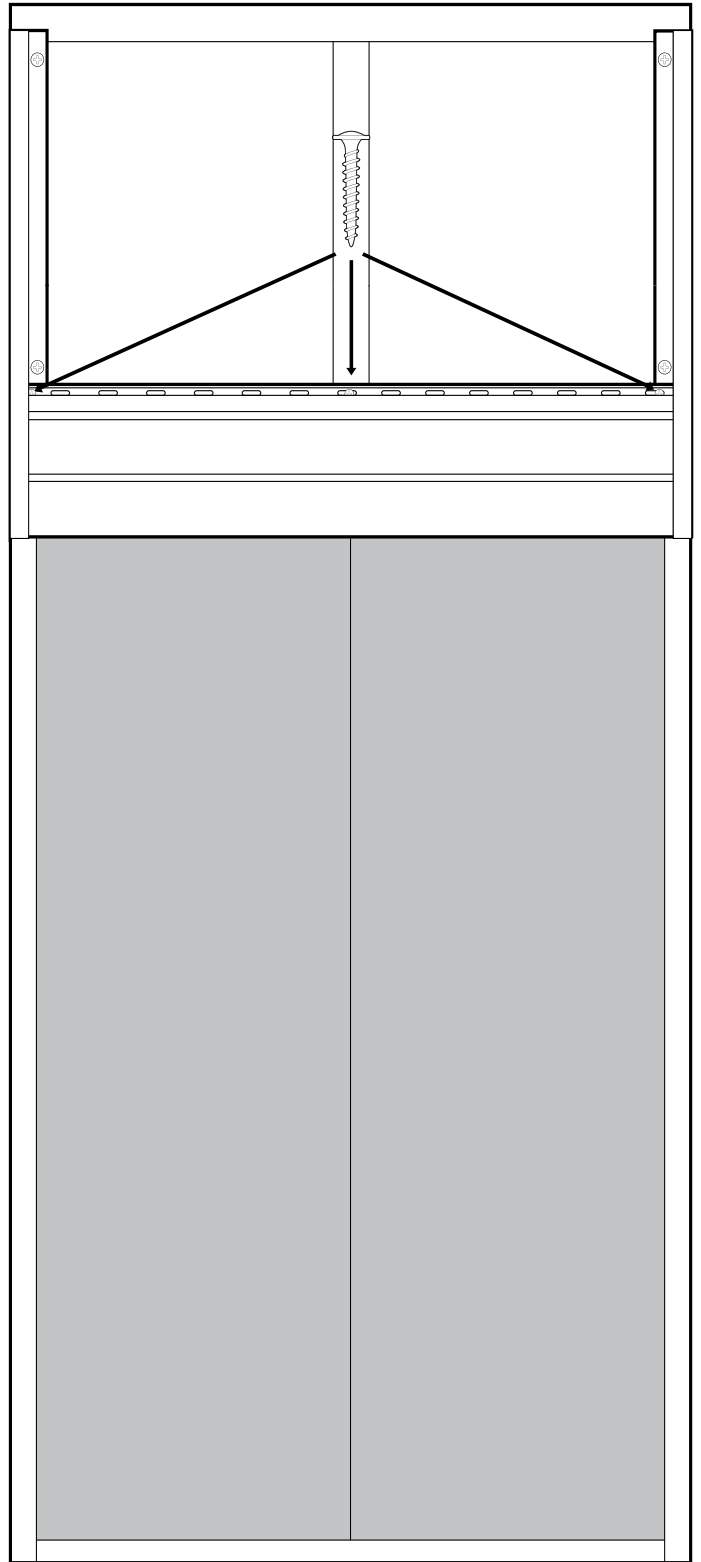
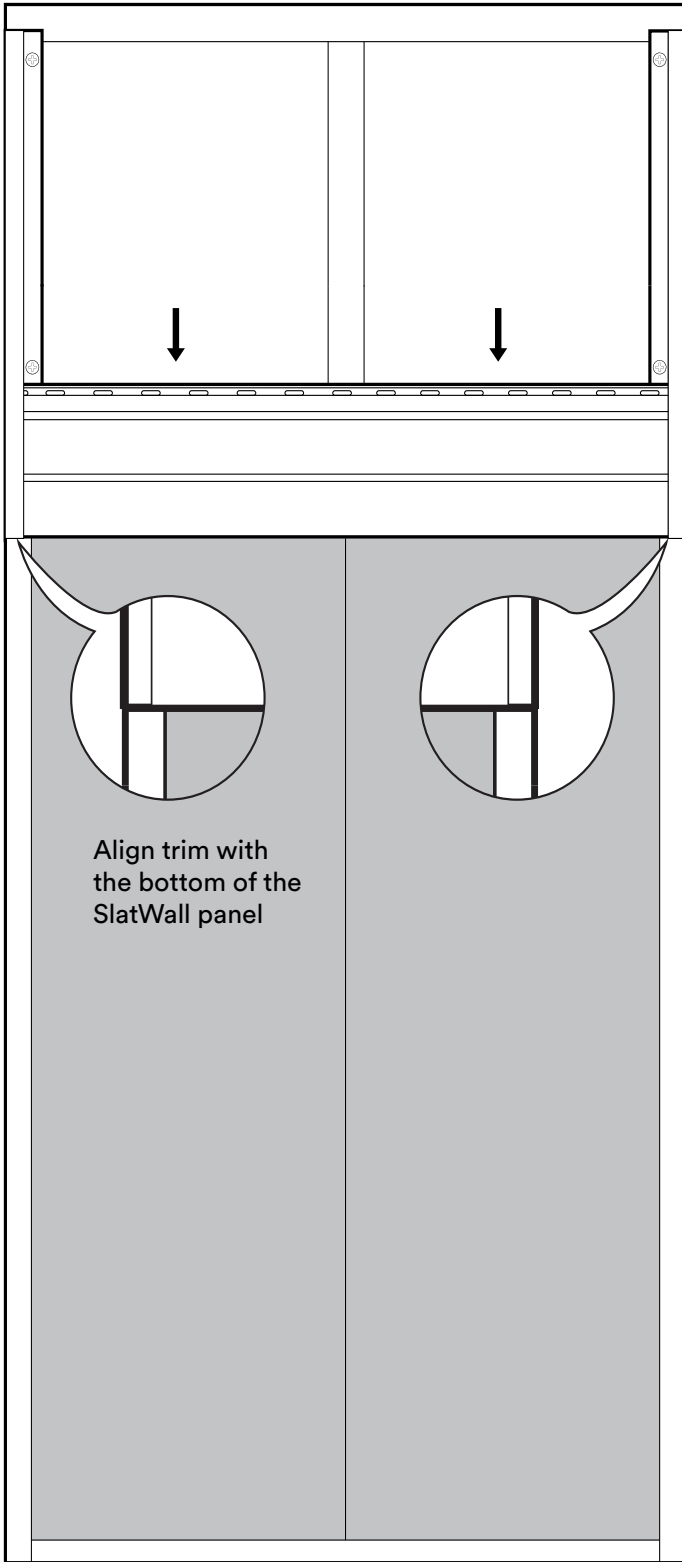
8



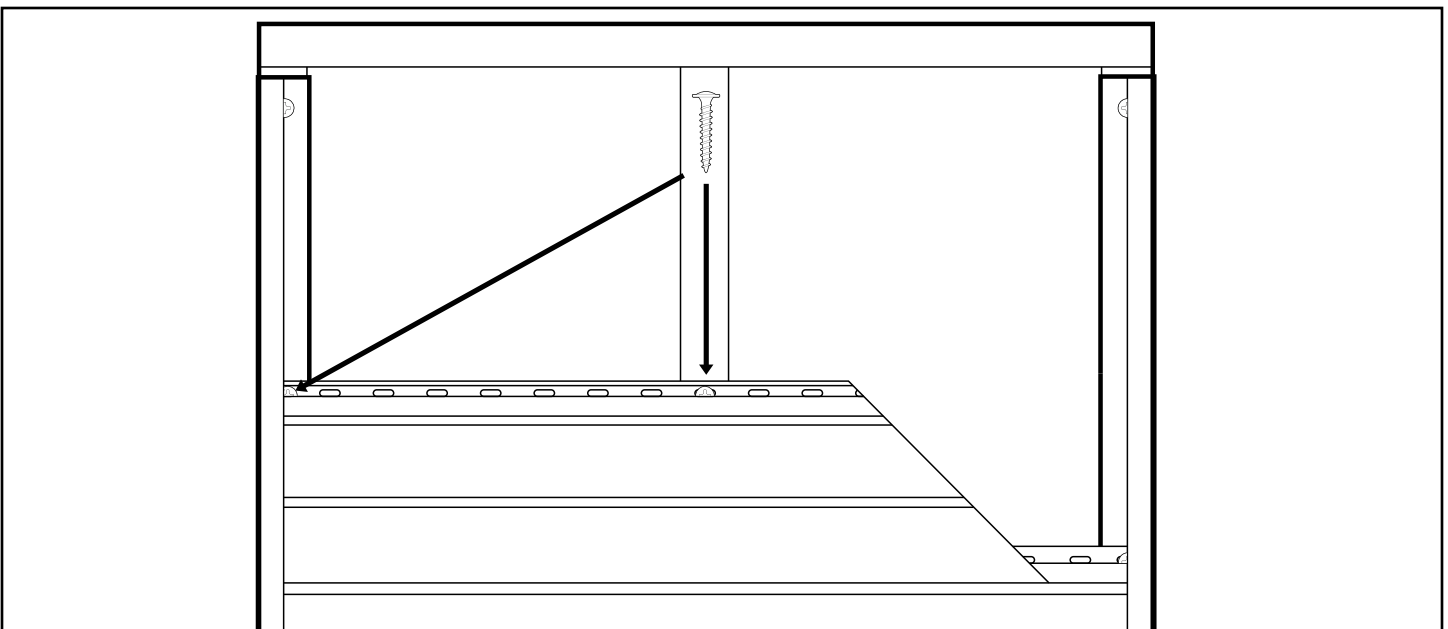
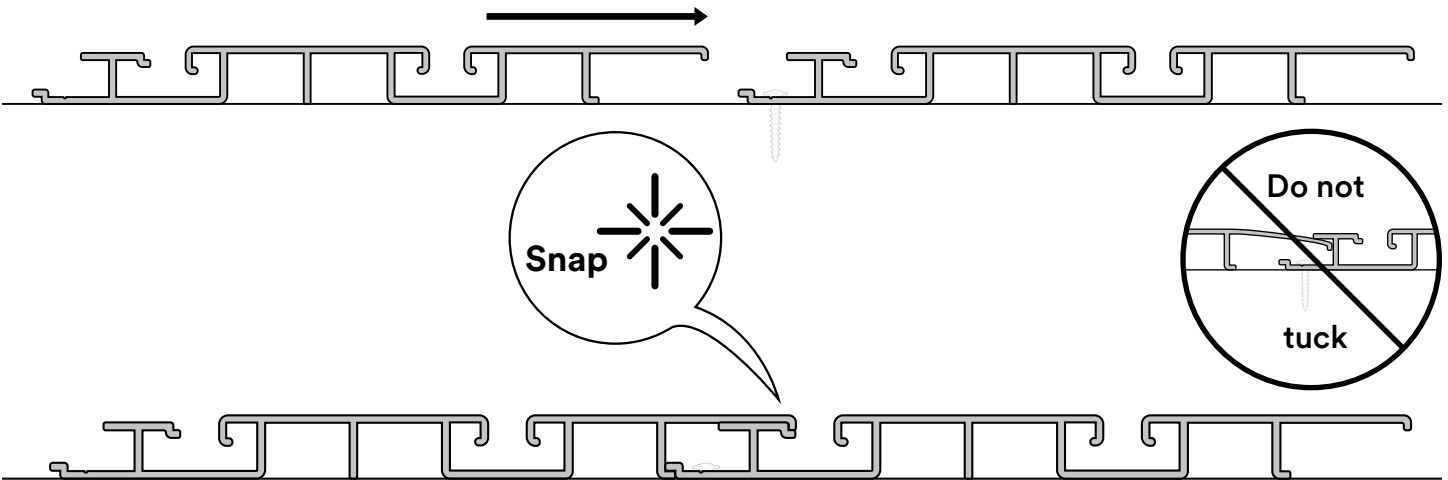
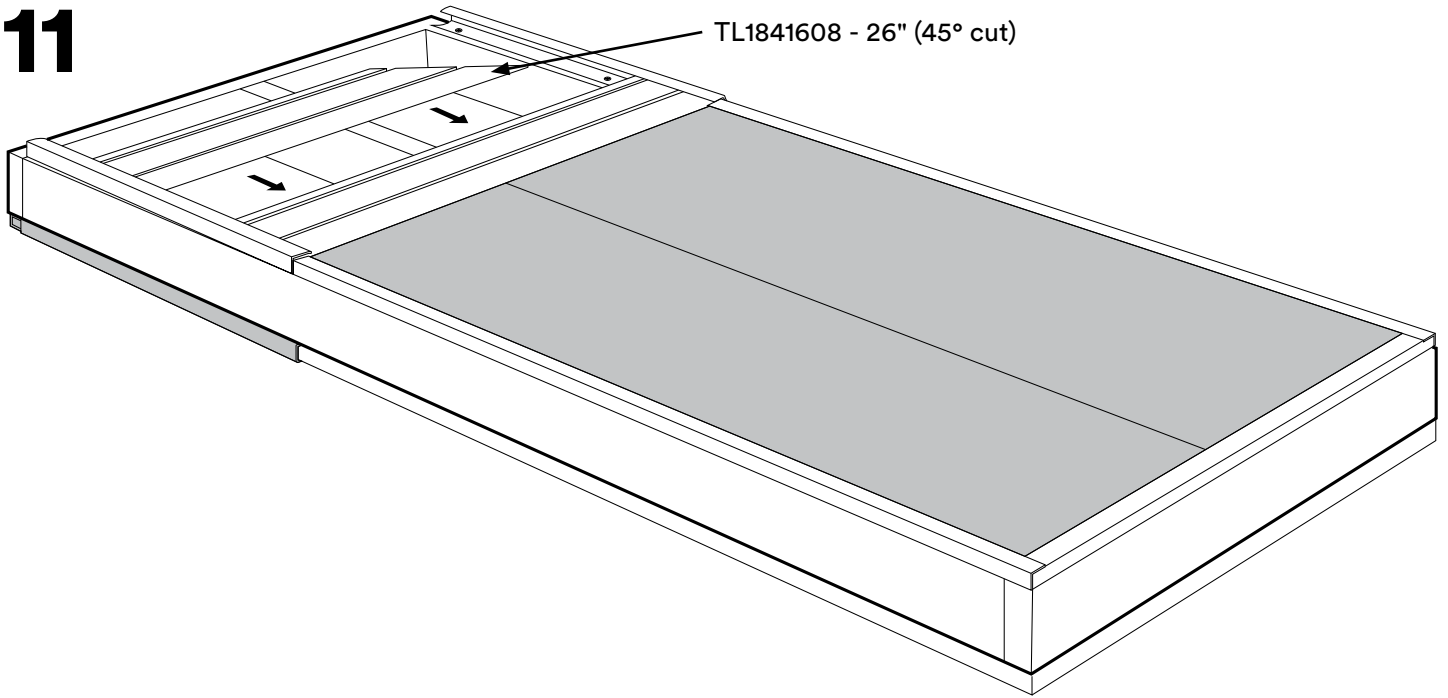
9



10

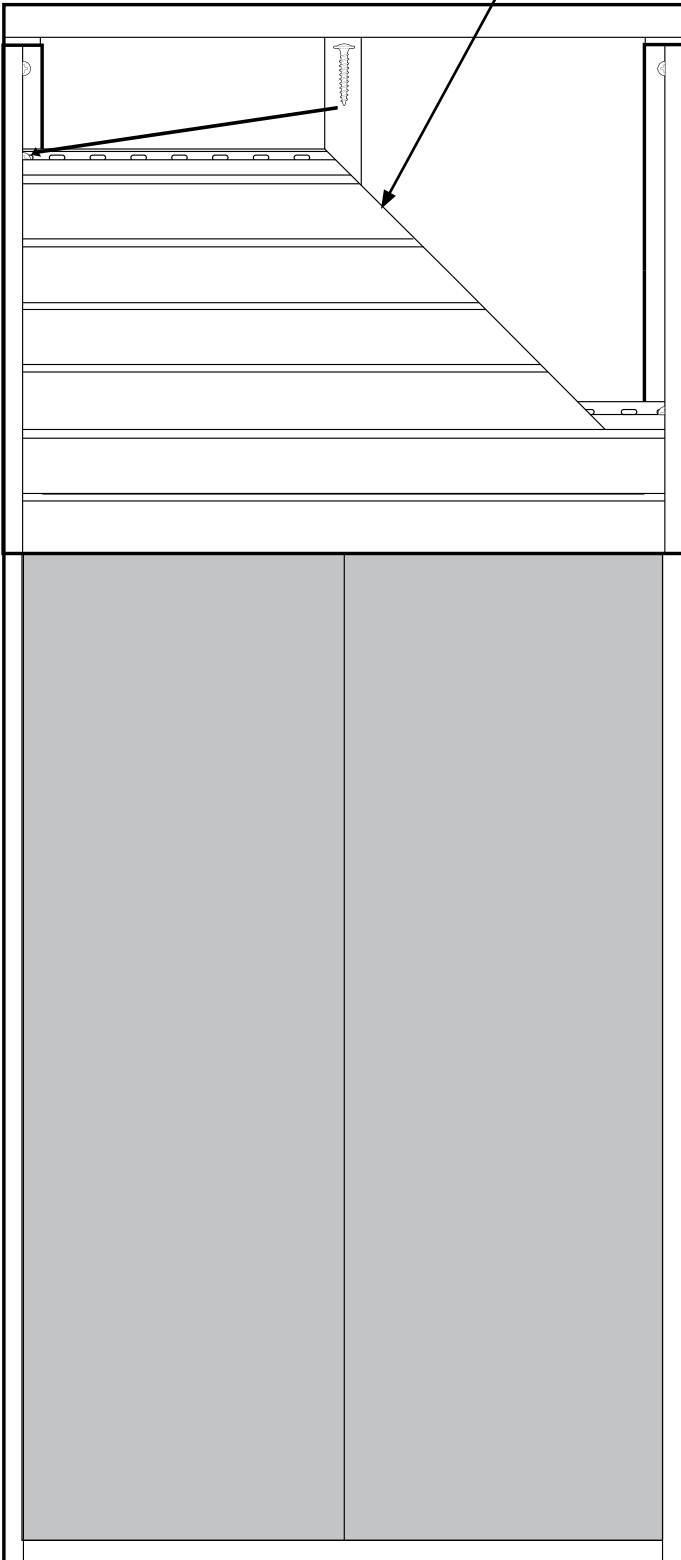


11

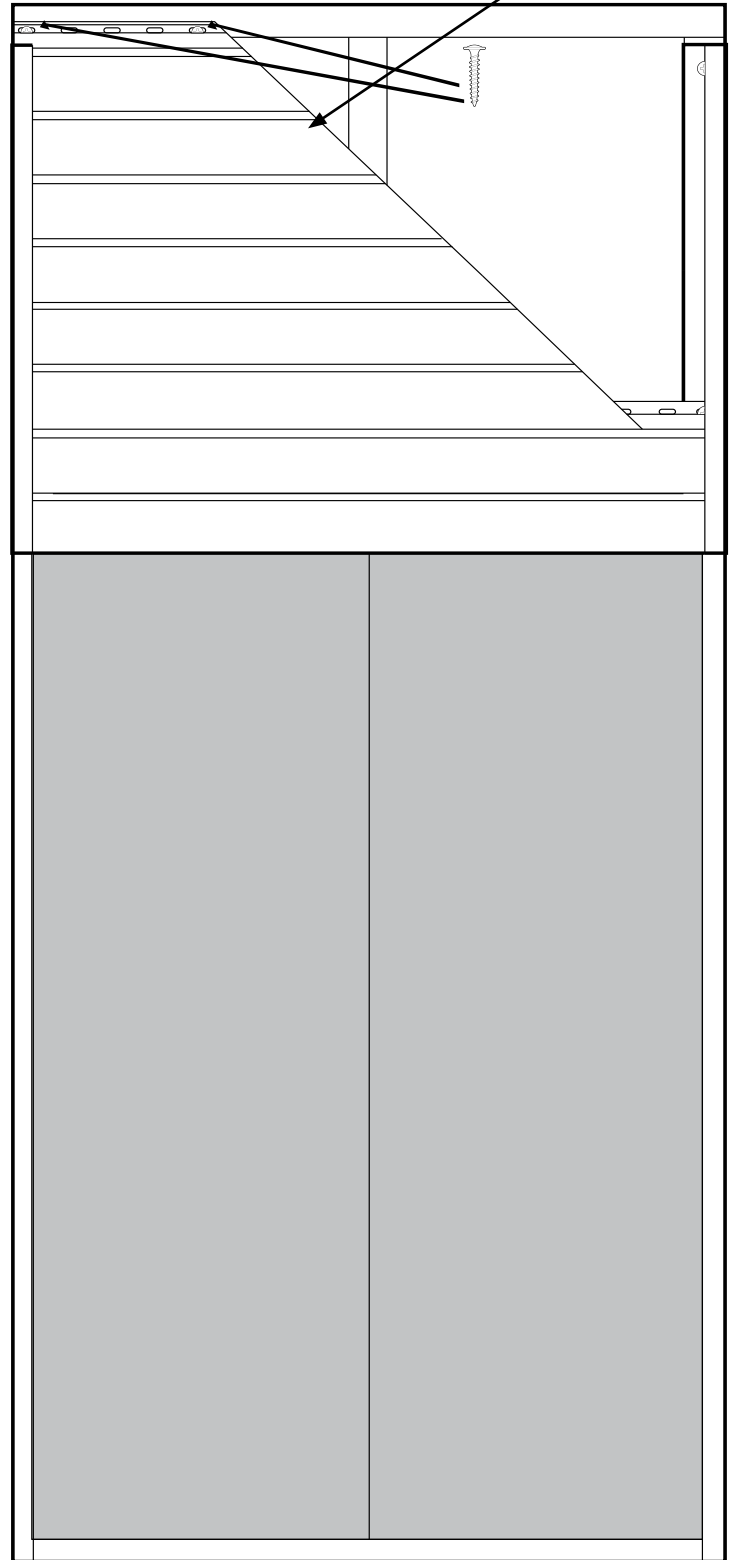


12

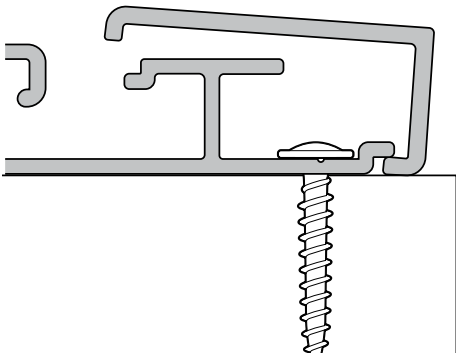
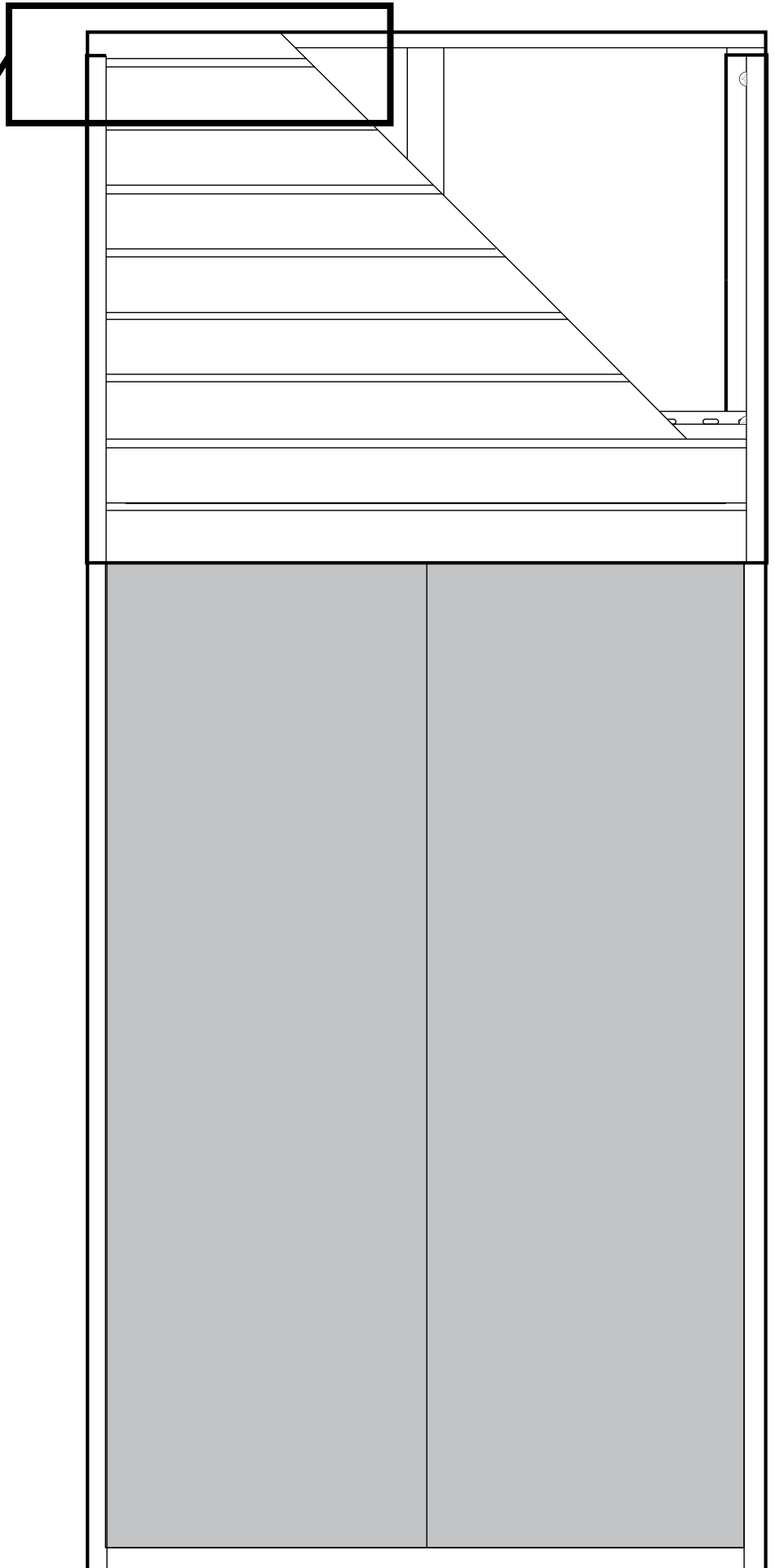
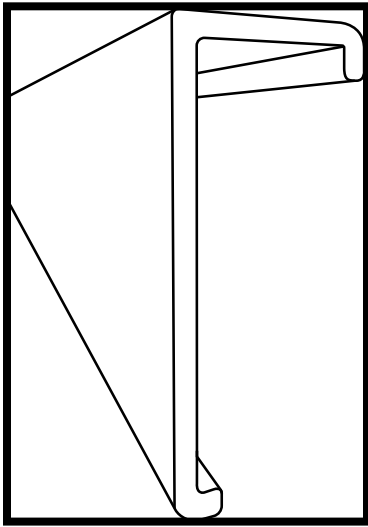
TL1841608 - 20" (45° cut)

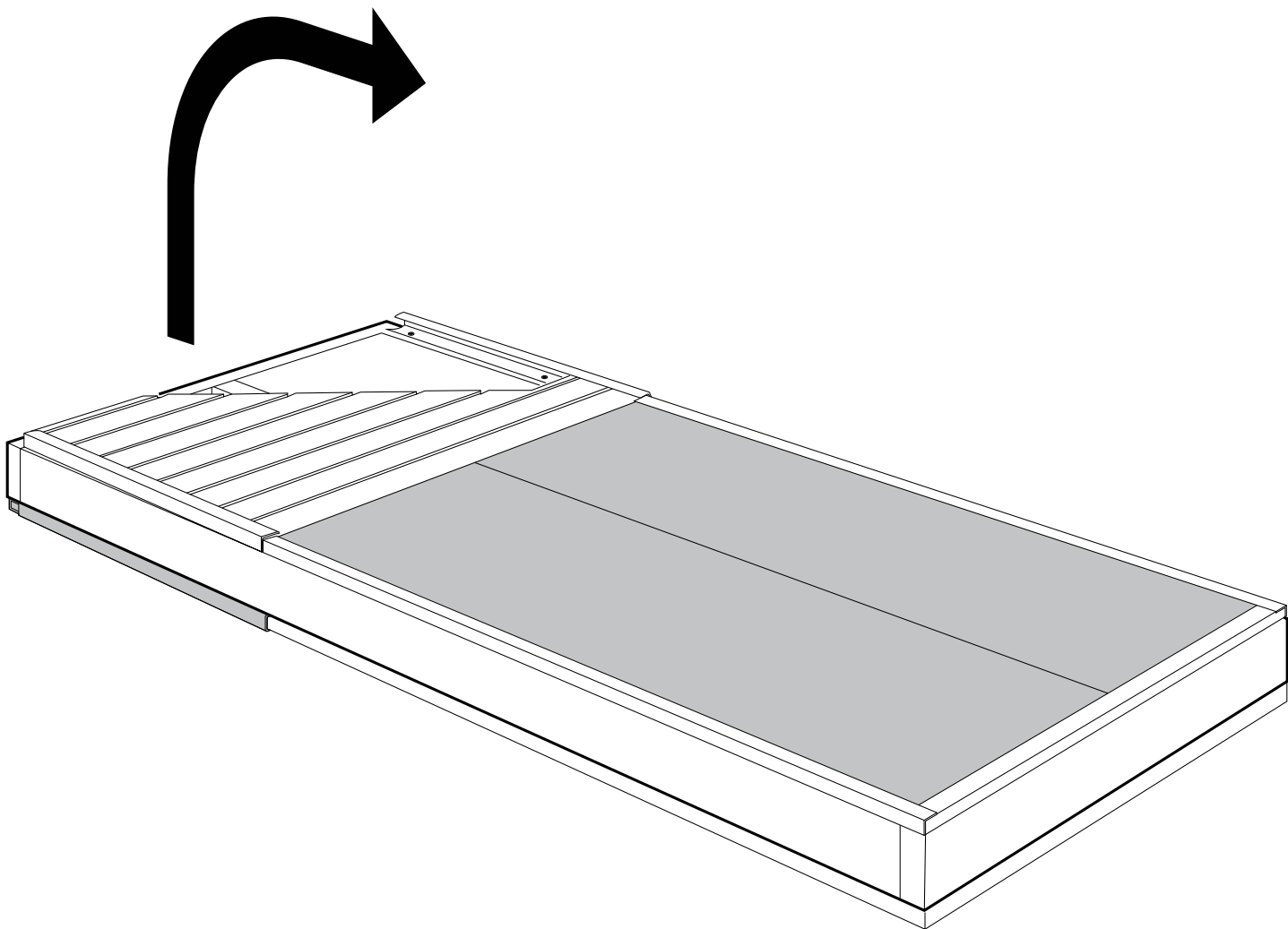


TL1841608 - 14 1/8" (45° cut)

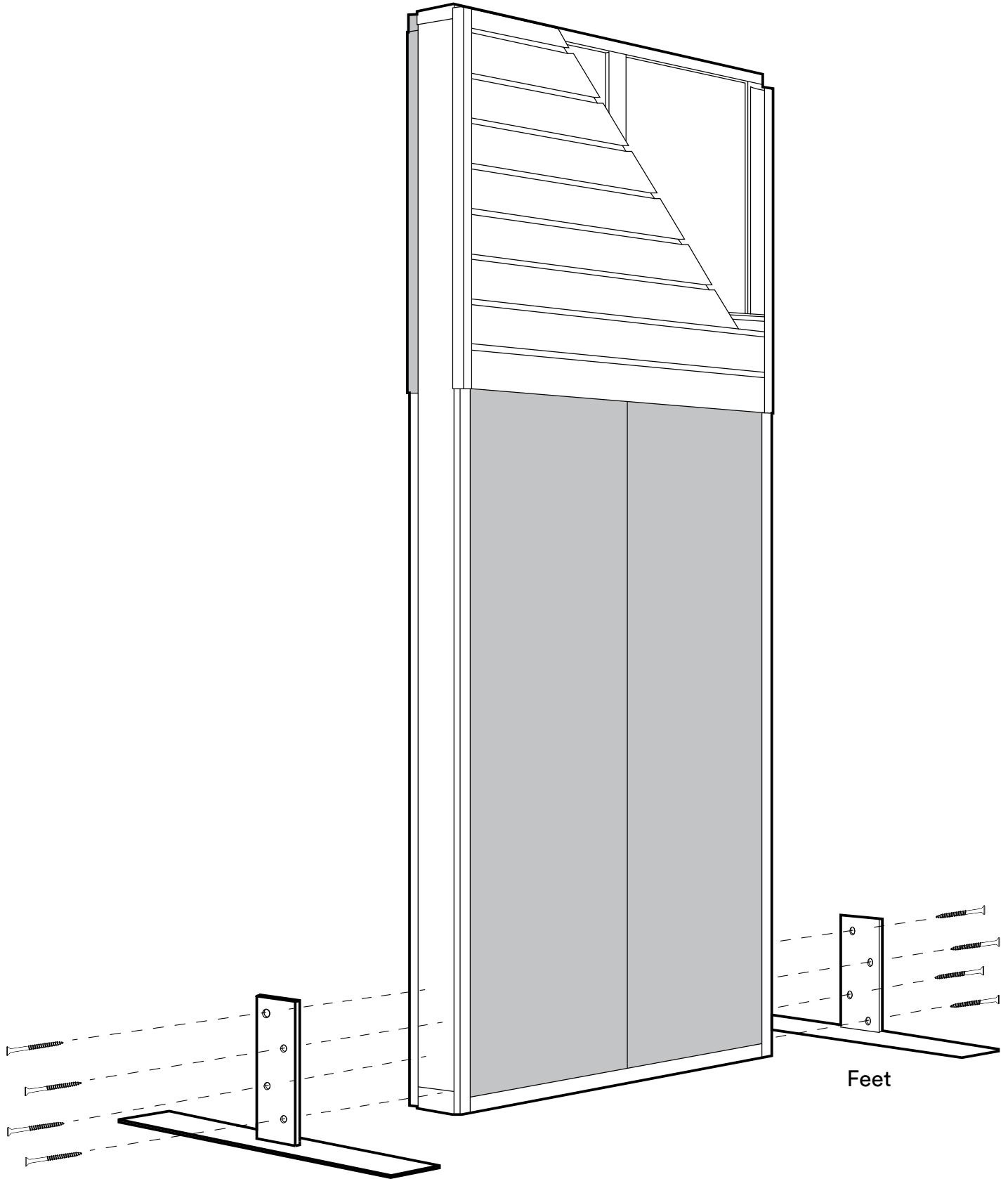


13

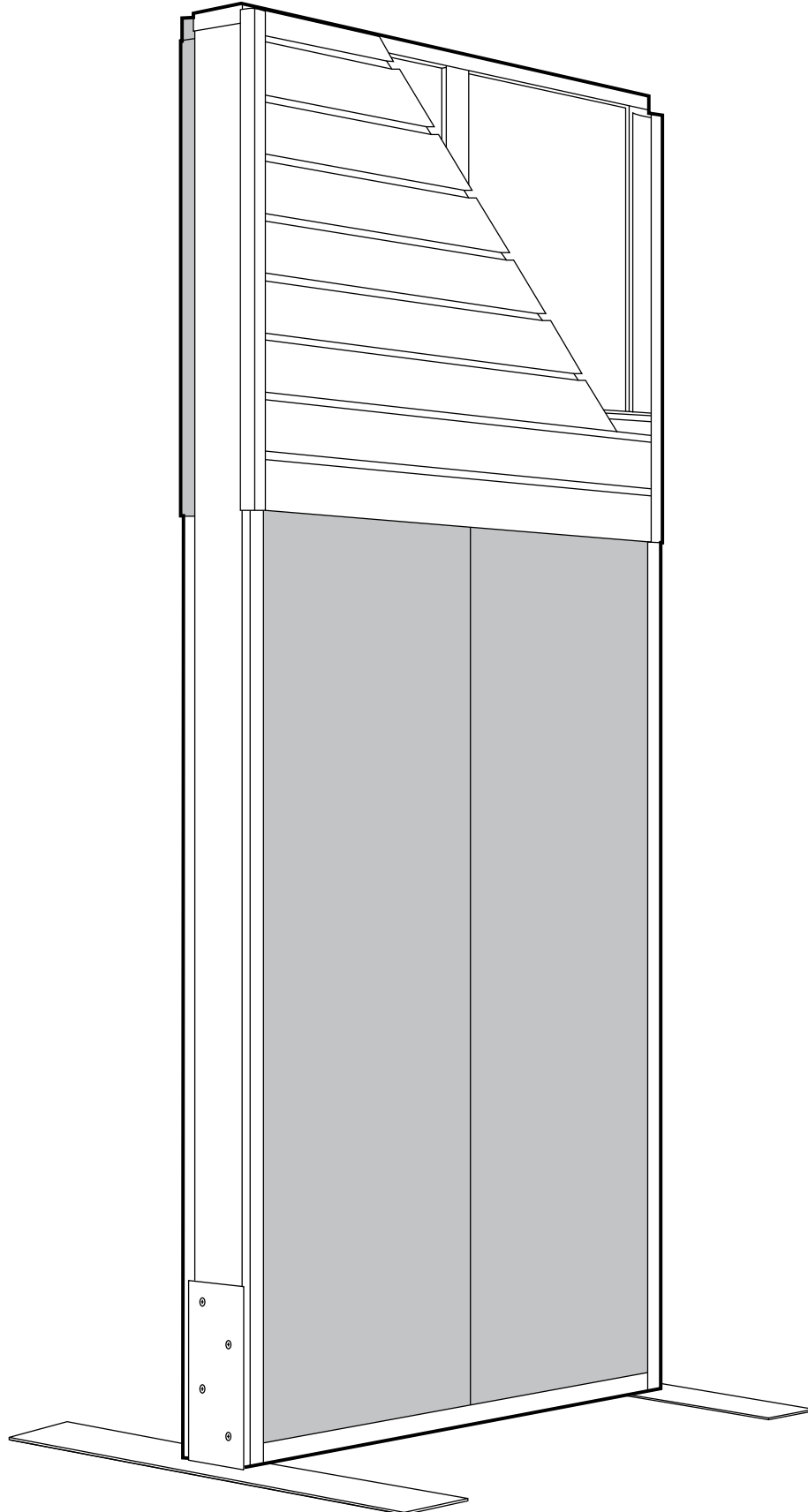




14

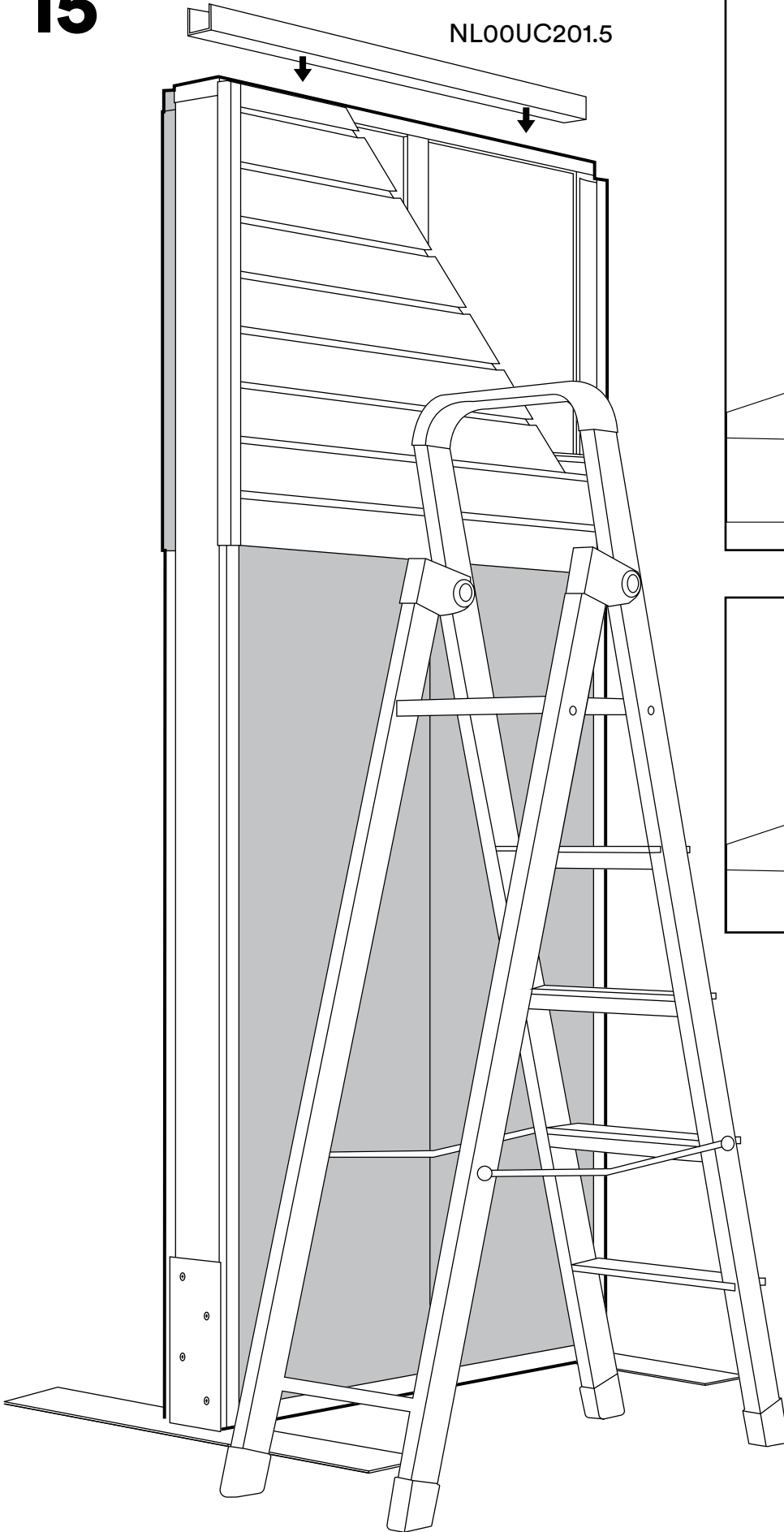


#8 x 3" Flat Head Wood Screw

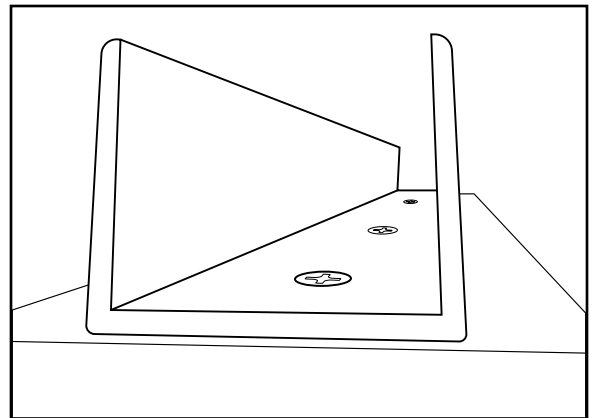
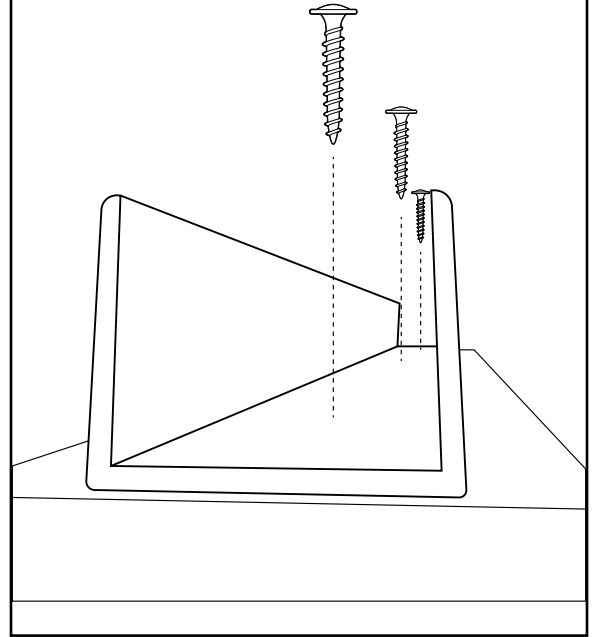


15

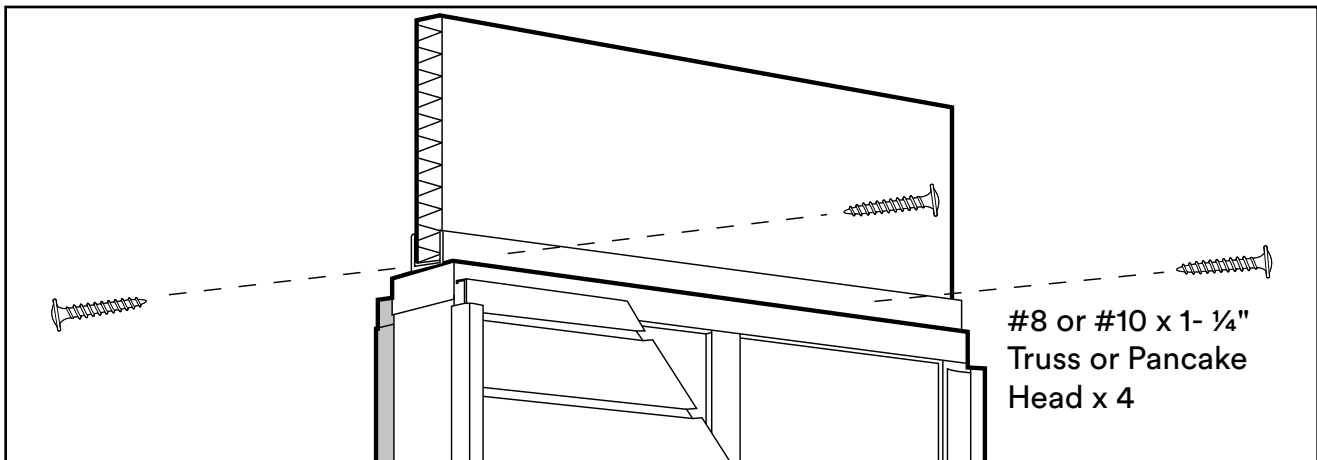
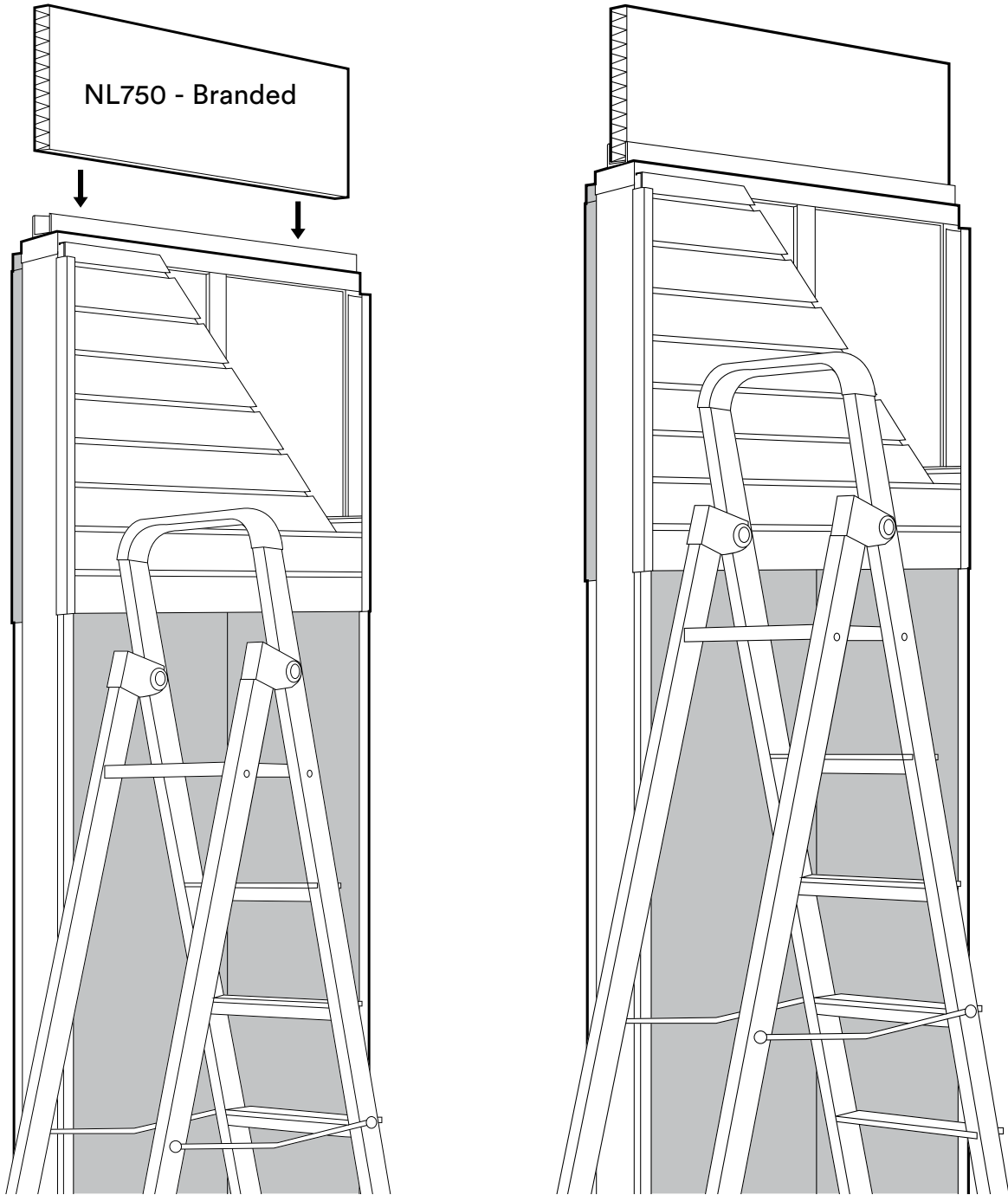
NL00UC201.5



#8 or #10 x 1- 1/4" Truss or Pancake Head

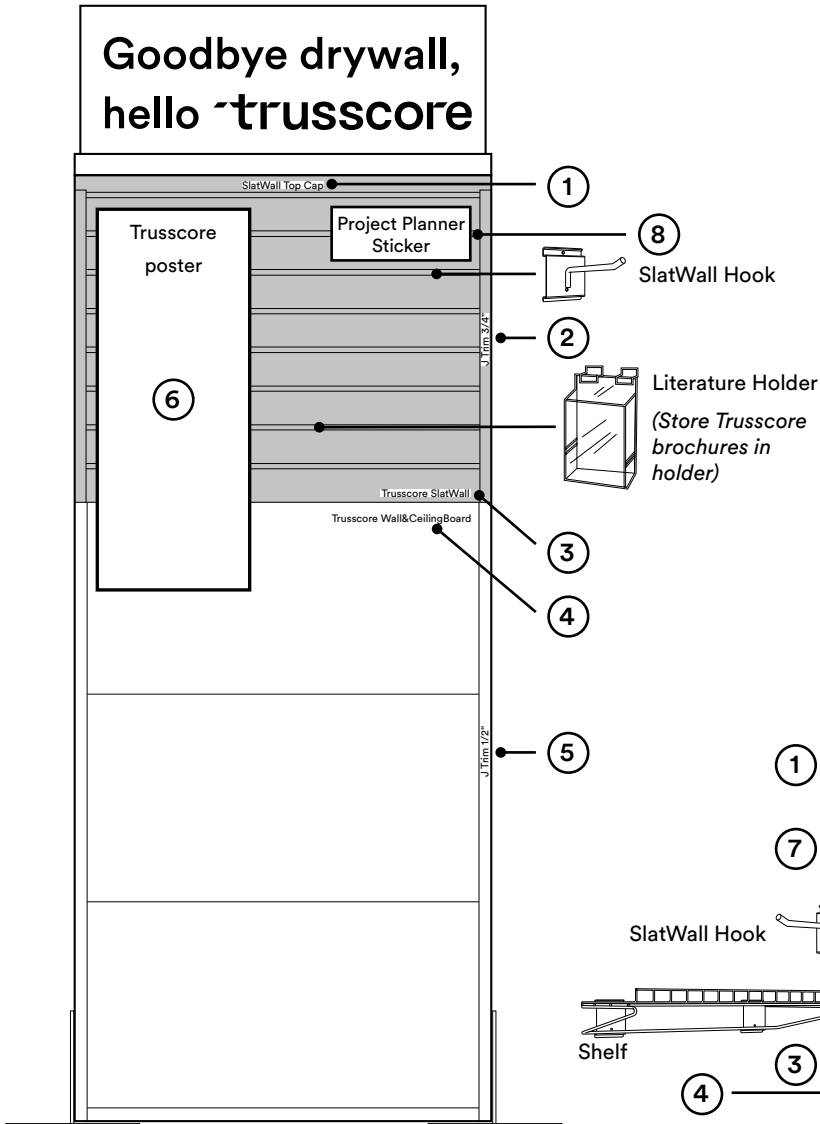


16

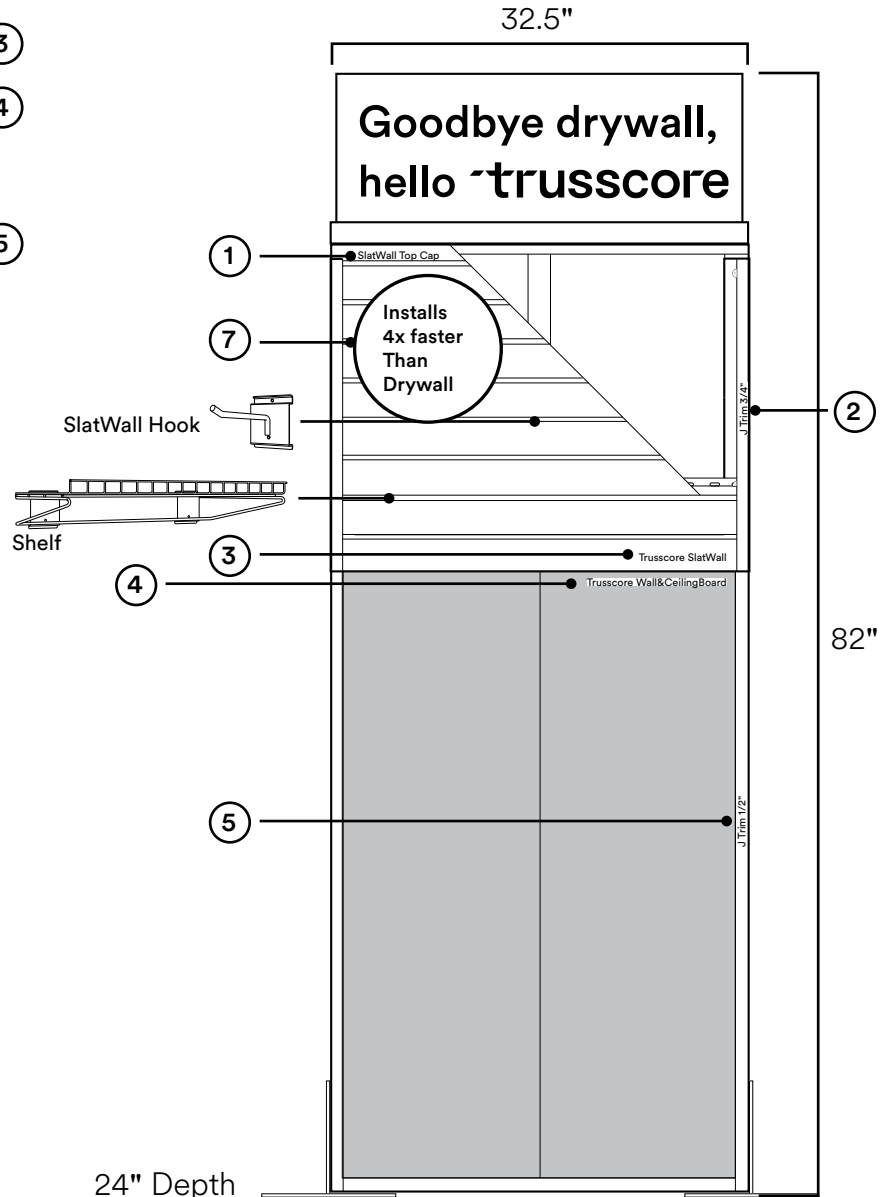


trusscore Merchandising Placement

Side 1



Side 2



- ① SlatWall Top Cap Sticker
- ② J Trim 3/4" Sticker
- ③ Trusscore SlatWall Sticker
- ④ Trusscore Wall&CeilingBoard Sticker
- ⑤ J Trim 1/2" Sticker
- ⑥ Trusscore Poster
- ⑦ Installs 4x Faster
- ⑧ Project Planner Sticker

24" Depth