

# trusscore

material + science



**Trim / Accessories Brochure**  
NorLock

# Our Trims and Accessories

Trims add the perfect touch to any project by providing a functional and distinctive design element—bringing your project to life. Trusscore provides a comprehensive assortment of trims to meet all your project needs. Before you start your next NorLock project, familiarize yourself with the Trusscore trim options available, and make your project clean, beautiful, and secure.

## Contents

<a href="#">U Channel</a> .....	3
<a href="#">U Channel 2-Piece</a> .....	3
<a href="#">Corner Channel</a> .....	4
<a href="#">H Channel</a> .....	4
<a href="#">Top Cap</a> .....	5
<a href="#">End Cap</a> .....	5
<a href="#">Drop Rod End</a> .....	6
<a href="#">Drop Rod</a> .....	6
<a href="#">Technical Specifications</a> .....	7

## Warranty

For more information on product warranty please visit [trusscore.com/warranty](https://trusscore.com/warranty)

# U Channel

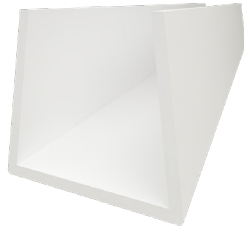
The U Channel trim is a quick and simple way to cap the edges of NorLock wall assemblies. It ensures the vertical rigidity of the walls.

## Use this trim for:

- Securing panels to floors, walls, ceilings

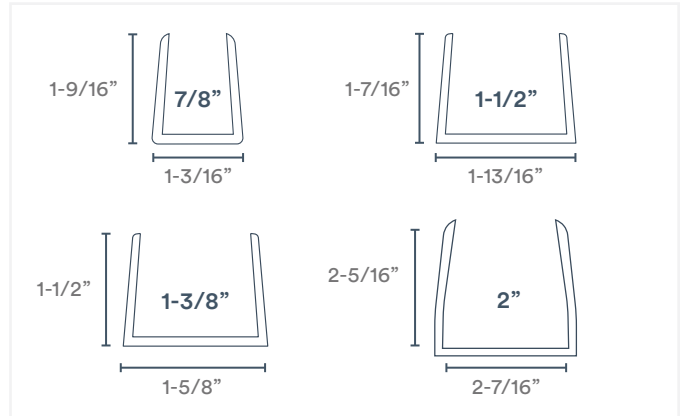
### Product #

- 7/8" - NL00UC78
- 1-3/8" - NL00UC35
- 1-1/2" - NL00UC201.5
- 2" - NL00UC203



Pieces per carton: 10  
Length: 20'

7/8"	1-3/8"	1-1/2"	2"
✓	✓	✓	✓



# U Channel 2-Piece

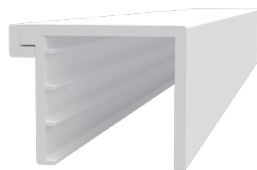
The two-piece U Channel is an efficient way to connect NorLock panels to edges and ceilings.

## Use this trim for:

- Walls and ceilings

### Product #

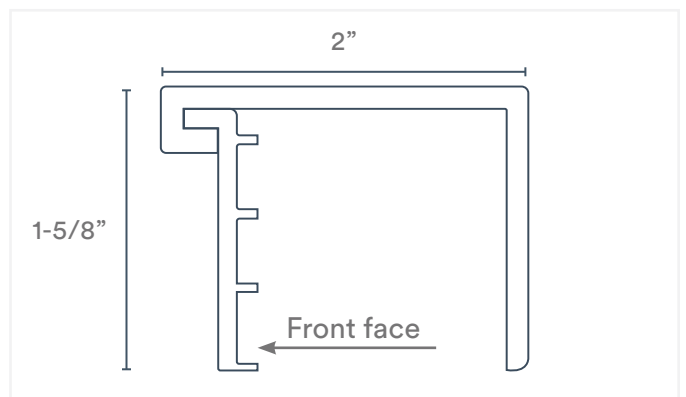
- 1-3/8" - NL00UC235K



Pieces per carton: 10  
Length: 20'

Note: Front face comes in 2x 10' pieces for ease of handling

7/8	1-3/8	1-1/2	2"
N/A	✓	N/A	N/A



# Corner Channel

The Corner Channel is used for inside or outside corner applications.

## Use this trim for:

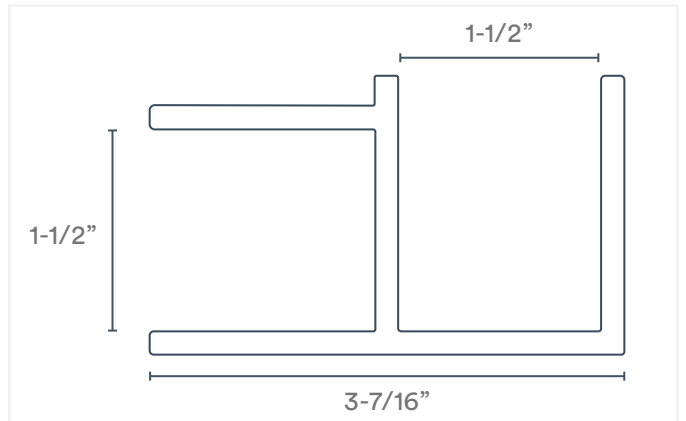
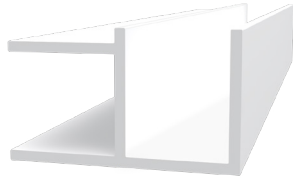
✦ Corners

### Product #

1-1/2" - NL50NFC20

Pieces per carton: 5

Length: 20'



7/8	1-3/8	1-1/2	2"
N/A	✓	✓	N/A

# H Channel

The H Channel is designed to accommodate any expansion or contraction the panels may have, in preserving the installation of your project.

## Use this trim for:

✦ Joining panels

### Product #

7/8" — NL00HC78

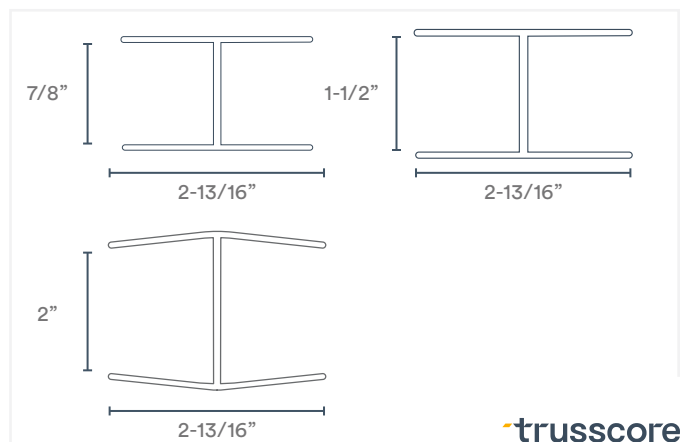
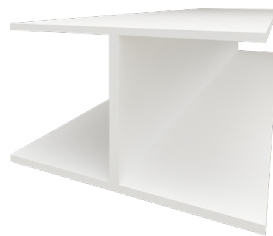
1-1/2" — NL00HC3520

2" — NL00HC220

Pieces per carton:

7/8" = 20, 1-1/2" = 20, 2" = 5

Length: 20'



7/8	1-3/8	1-1/2	2"
✓	N/A	✓	✓

# Top Cap

The Top Cap is a profile that caps the top of a NorLock wall with a flat surface.

Use this accessory for:

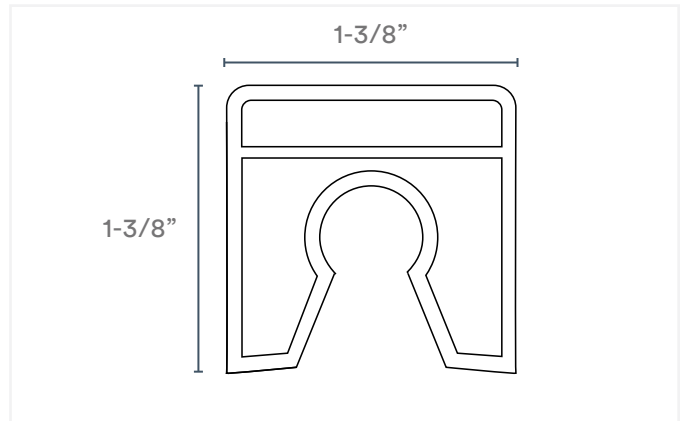
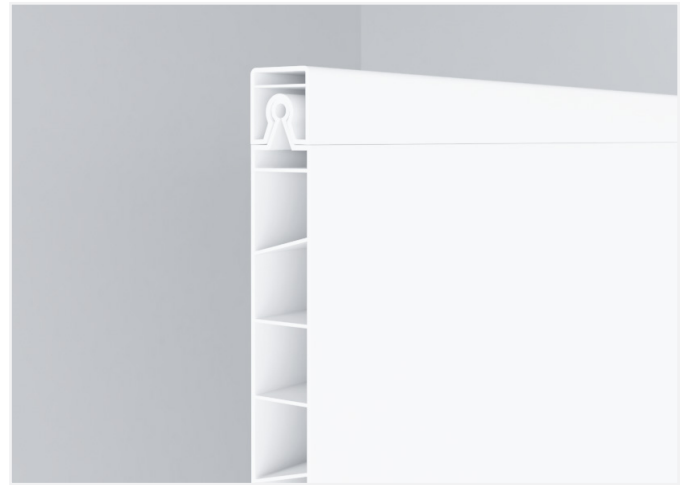
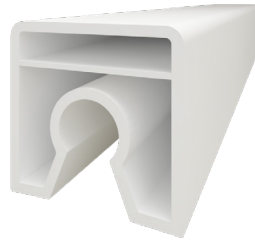
➤ Interlocking cap

Product #

1-3/8" - NLNLPL3520CAP

Pieces per carton: 10

Length: 20'



7/8	1-3/8	1-1/2	2"
N/A	✓	N/A	N/A

# End Cap

The End Cap is designed to enclose the cut ends of panels, to keep dirt, rodents, and insects out of the panels.

Use this accessory for:

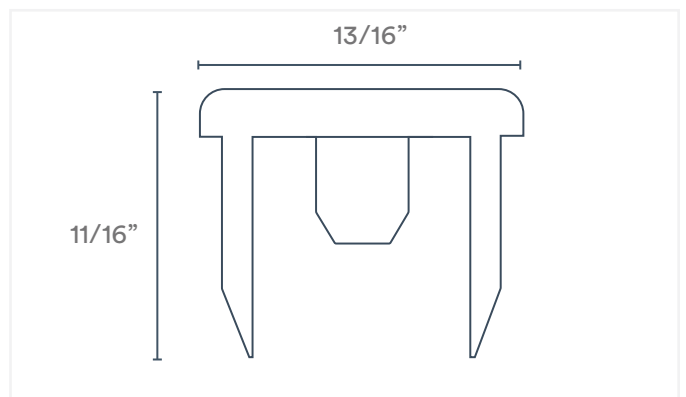
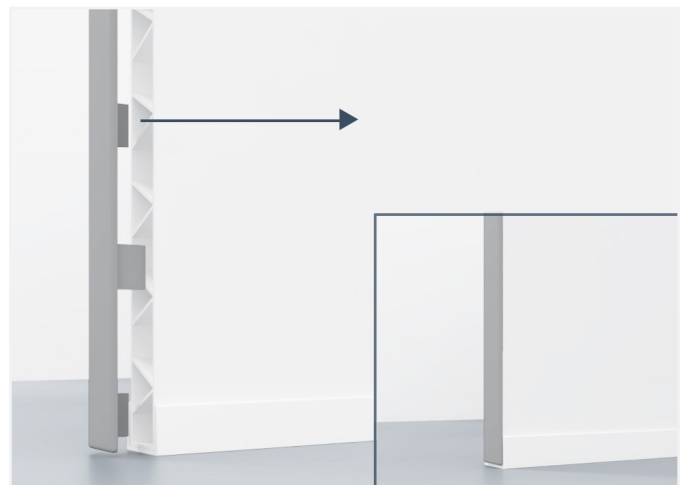
➤ Capping cut ends

Product #

7/8" - NL00EC508

Pieces per carton: 10

Length: 20'



7/8	1-3/8	1-1/2	2"
✓	Only for Flat Top and Flat Bottom	N/A	N/A

# Drop Rod End

Add the flexibility of hinged doors to your project by using Drop Rods and Ends.

## Use this accessory for:

- Creating hinged doors

### Product #

1-1/2" - NL00DRE35

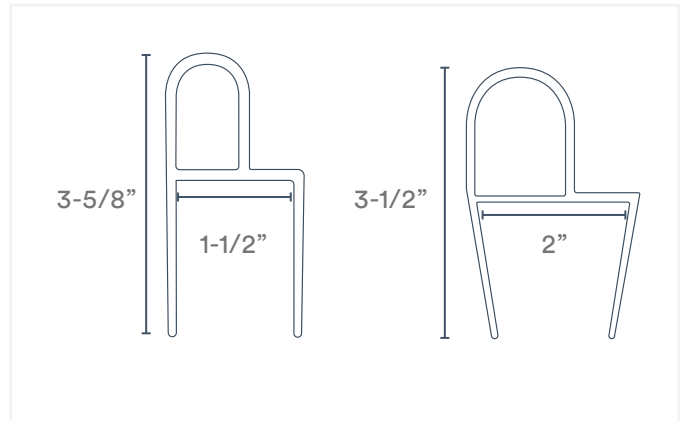
2" - NL00DRE50

Pieces per carton: 5

Length: 20'



7/8	1-3/8	1-1/2	2"
N/A	✓	✓	✓



# Drop Rod

The Drop Rod and Drop Rod End are combined to create a hinged door with NorLock panels.

## Use this accessory for:

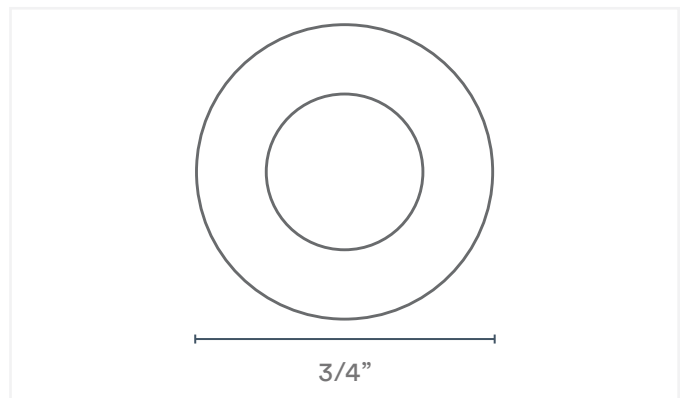
- Creating hinged doors

### Product #

NL00DR35

Pieces per carton: 20

Length: 20'



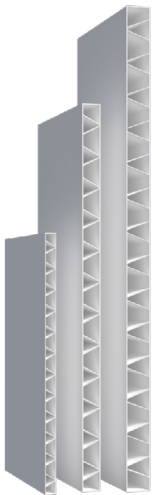
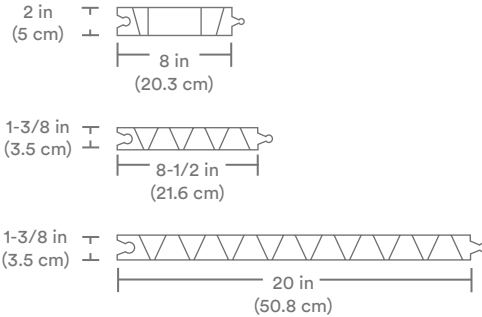
7/8	1-3/8	1-1/2	2"
Drop Rod is compatible with all Drop Rod Ends.			

# Technical Specifications

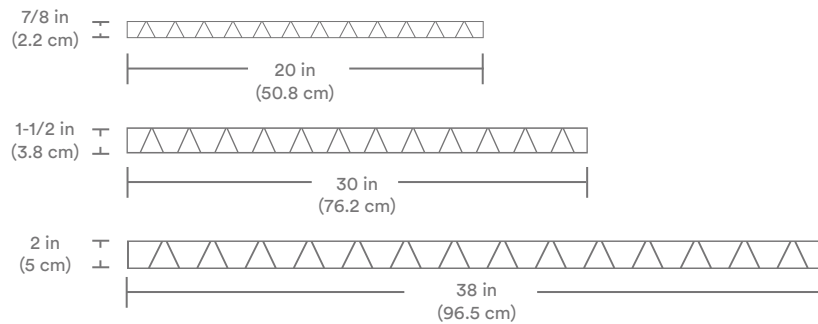
## Plank Dimensions



### Interlocking



### Flat top/bottom



Panel Type	Width	Height	Available Trims				Available Accessories			
			U Channel	U Channel 2-piece	Corner Channel	H Channel	Top Cap	End Cap	Drop Rod End	Drop Rod
Interlocking	2" (5.0 cm)	8" (20.3 cm)	✓			✓			✓	✓
	1-3/8" (3.5 cm)	8-1/2" (21.6 cm)	✓	✓	✓		✓		✓	✓
	1-3/8" (3.5 cm)	20" (50.8 cm)	✓	✓	✓		✓		✓	✓
Flat Top/ Bottom	7/8" (2.2 cm)	20" (50.8 cm)	✓			✓		✓		
	1-3/8" (3.5 cm)	20" (50.8 cm)	✓		✓			✓	✓	✓
	1-1/2" (3.8 cm)	30" (76.2 cm)	✓		✓	✓			✓	✓
	2" (5.0 cm)	38" (96.5 cm)	✓			✓			✓	✓

Livestock Applications: ● Creep ● Nursery ● Finish



[trusscore.com](https://trusscore.com)



Learn more about Trusscore  
[trusscore.com](https://trusscore.com) | [hello@trusscore.com](mailto:hello@trusscore.com) | 1.888.418.4679

Copyright © 2023 Trusscore Inc. Trusscore is a trademark of Trusscore Inc.  
Specifications are subject to change. T-BR103-002 02/2023