

NorLock

by **trusscore**

for **Healthcare**

Quick and easy to install
tongue and groove
divider planks



NorLock by Trusscore divider planks are a versatile and cost-effective healthcare building solution, uniquely designed for superior strength and durability, requiring no secondary reinforcement

Primarily used in facilities for both interior walls and partitions, NorLock divider planks' structurally advanced construction features more density per square foot, making it ready for all types of use without reinforcement, saving time and cost.

The non-porous smooth panels are easy to clean and maintain, heavy-duty, and impact resistant—designed to withstand the most demanding environments.

The durable planking is able to withstand the extra weight of equipment, shelving, and other items fastened directly to it.


Microban Aegis Microbe Shield

NorLock is optionally coated with Microban Aegis Microbe Shield, an antimicrobial surface treatment that molecularly bonds to the surface of the plank, making it inhospitable to germs. Aegis has demonstrated a 99.99% reduction of a broad range of bacteria, molds, yeast, and fungi on treated surfaces.

The coating is registered with Health Canada and the US EPA, is non-flammable, poses no off-gassing risk, and will not transfer from treated surfaces.

Features and Benefits

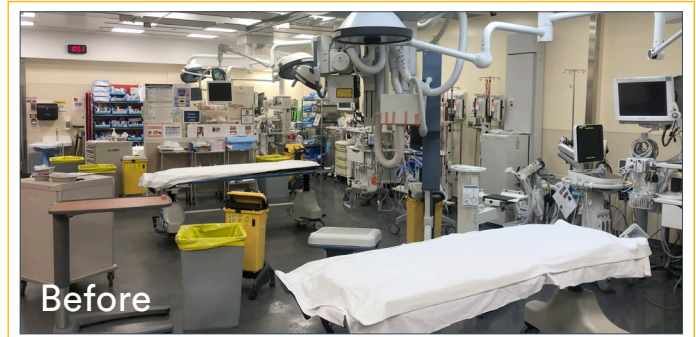
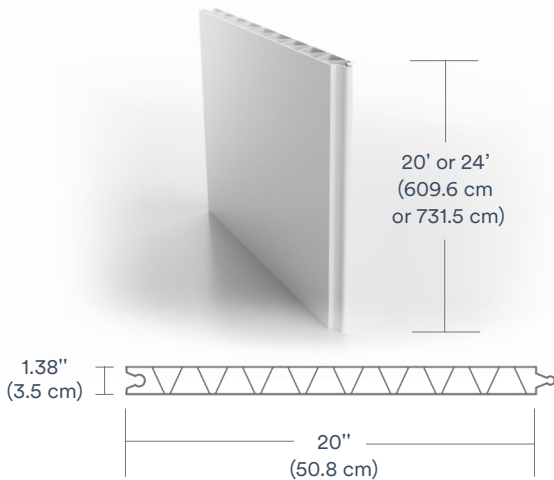
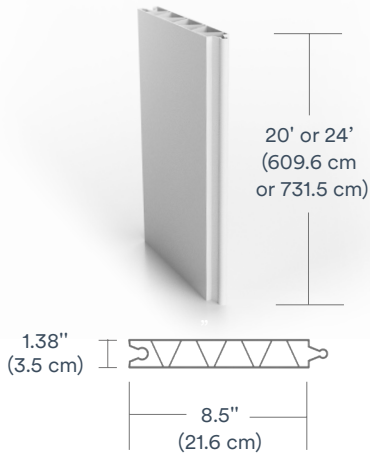
- Easy and rapid deployment and installation with no external support necessary
- Non-porous surface is easy to clean
- Lightweight and strong panels for easier transport and installation
- Available in multiple widths & lengths
- Tight fitting tongue and groove
- Able to structurally support heavy items directly affixed
- Openings can be cut directly into NorLock planks and walls
- Environmentally sustainable – 100% recyclable
- UV stabilizers prevent discoloring and cracking
- Coated with Microban Aegis Microbe Shield (optional)

 Health Canada: PMRA PCP# 15133
 US EPA # 64881-2

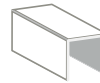
Trusscore Inc. operates under Health Canada
Class 1 Medical Device Establishment License #11676

Technical Specifications

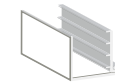
Divider Plank Dimensions



NorLock Trims



U-channel
NL00UC35



2-piece U-channel
NL00UC235



H-channel
NL00HC3520



Corner-channel
NL00DRE35



Top/End cap
NLNLPL3520CAP

Ordering Information

	NL22035	NL22035MBA	NL50035	NL50035MBA
20' Plank	8.5" w x 20' h x 1.38" d (21.6 cm x 609.6 cm x 3.5 cm)	8.5" w x 20' h x 1.38" d (21.6 cm x 609.6 cm x 3.5 cm)	20" w x 20' h x 1.38" d (50.8 cm x 609.6 cm x 3.5 cm)	20" w x 20' h x 1.38" d (50.8 cm x 609.6 cm x 3.5 cm)
24' Plank	8.5" w x 24' h x 1.38" d (21.6 cm x 731.5 cm x 3.5 cm)	8.5" w x 24' h x 1.38" d (21.6 cm x 731.5 cm x 3.5 cm)	20" w x 24' h x 1.38" d (50.8 cm x 731.5 cm x 3.5 cm)	20" w x 24' h x 1.38" d (50.8 cm x 731.5 cm x 3.5 cm)
Microban Aegis Microbe Shield	X	✓	X	✓

Can we help with NorLock?

Start the conversation today with one of our sales representatives.

hello@trusscore.com | 1 888 418 4679 | www.trusscore.ca/norlock-healthcare