

Need an entryway through your NorLock wall? With this step-by-step guide, we'll walk you through the process of installing a door in your NorLock wall using nothing but the panels, trim, and some additional door hardware.

Instructions

1. Using a chalk line, mark a line on the floor where you want the edge of your wall.
2. Measure and mark along the line on the floor, the edges of where you want the door to be located (Fig.1).
3. Install the U Channel Trim on the floor along the entire length of your line. Ensure to not fasten the U Channel to the floor in the spot where you marked the door location (Fig.2).
4. Finish trimming out the edges and ceiling with U Channel and then installing panels. For full installation instructions, please review our [Norlock Installation Guide](#).
5. Return to the marked location for the door and using a level, mark the dimensions of the door on the wall (Fig.3).

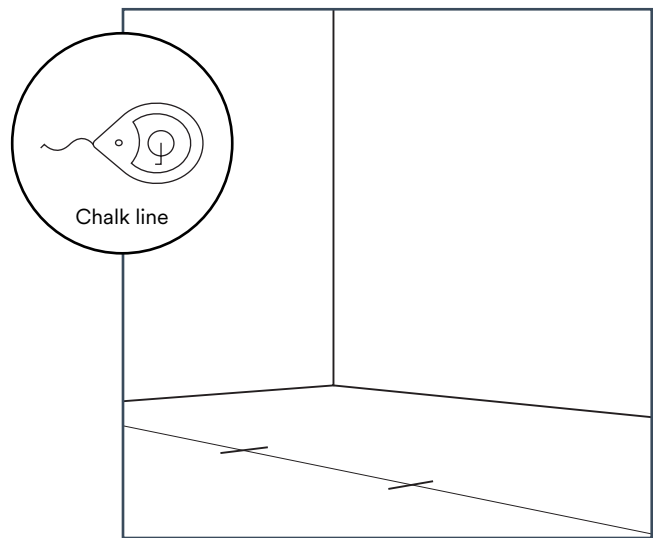


Figure 1

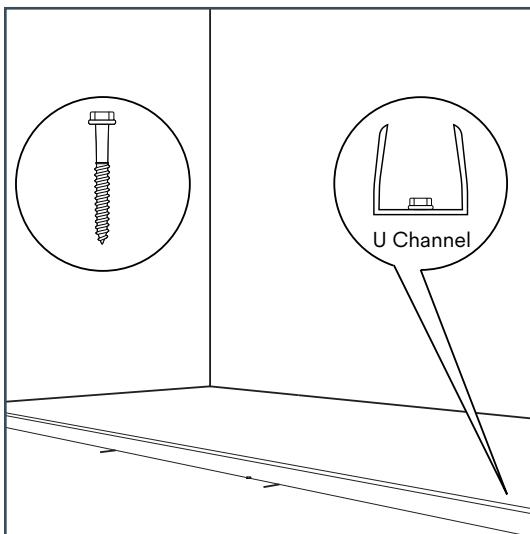


Figure 2

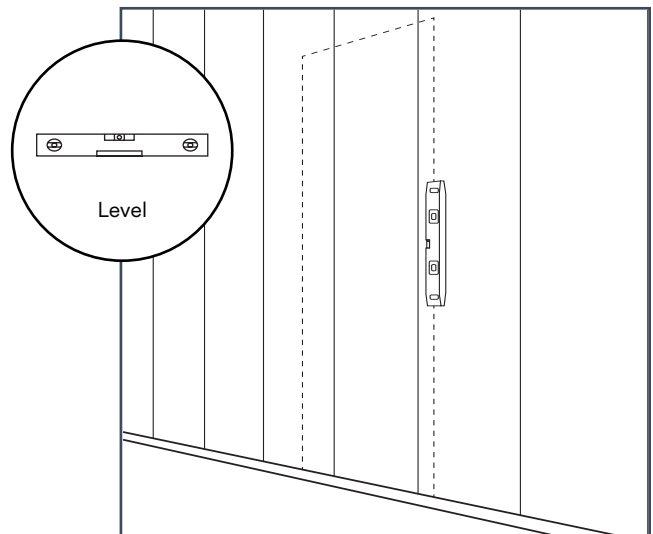


Figure 3

6. Using a jig saw or handheld circular saw, cut out the door along your marked lines including the U Channel along the bottom (Fig.4).
7. Measure inward $\frac{3}{4}$ " on the top and one side of the door panel and cut off this section (to reduce the overall width and height of the door) (Fig.5).
8. Frame the door jamb on the wall with U channel and do the same on each side of the door panel (Fig.6).
9. Hang the door using standard door hinges and handle hardware as desired to finish your installation (not sold by Trusscore) (Fig.7).

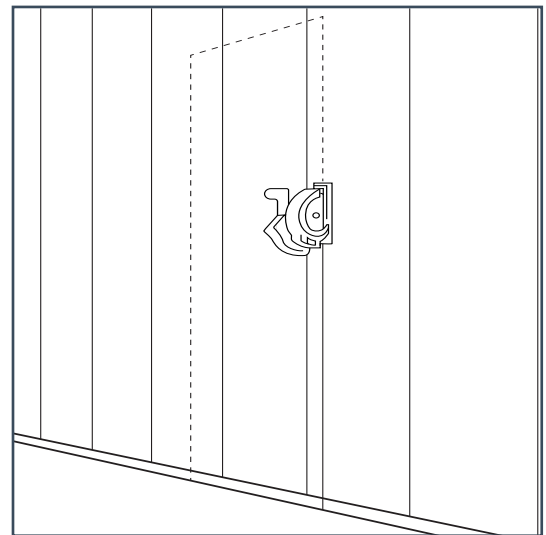


Figure 4

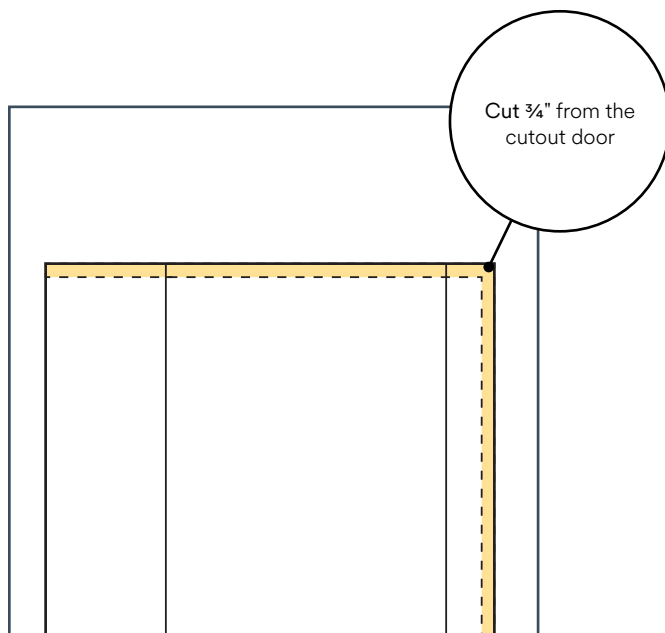


Figure 5

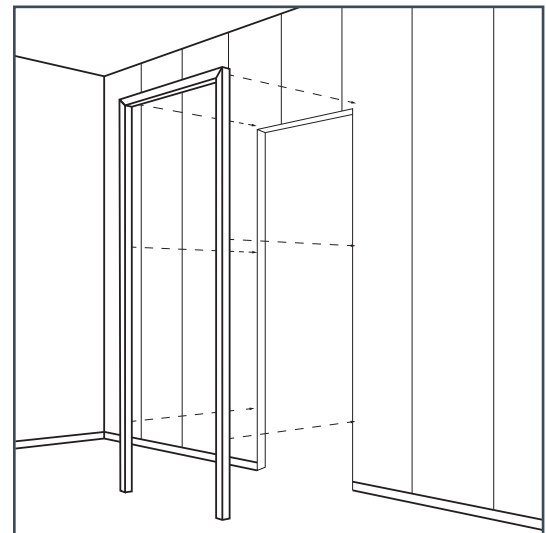


Figure 6

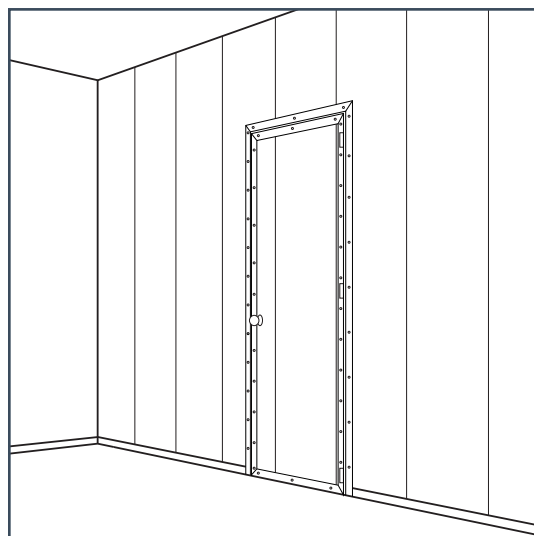


Figure 7