

Wall & Ceiling Board Installation Guide



Trusscore Wall&CeilingBoard

Trusscore Wall&CeilingBoard is designed with a high-strength polymer formulation and engineered to be the perfect alternative to traditional drywall systems or fiberglass reinforced panels (FRP). The Trusscore tongue and groove interlocking system makes installation quick and easy, and the unique truss design provides industry leading strength and durability.

Where you need a smooth finish that is easy to clean, low-maintenance, and abuse-resistant, Trusscore Wall&CeilingBoard has your project covered.

Contents

| | |
|---|----|
| Warranty | 2 |
| Tools Required | 3 |
| General Recommendations | 3 |
| Temperature Range & Acclimatization | 3 |
| Cutting Panels | 3 |
| Cutouts | 4 |
| Long Panel Runs | 4 |
| Ripping Panels | 5 |
| Fastening | 5 |
| Fastening Tips | 5 |
| Drywall Anchors | 6 |
| Panel Spacing | 6 |
| High-Moisture Environments | 6 |
| Use of Silicone Sealant | 7 |
| Radiant Heat | 7 |
| Epoxy Floors | 7 |
| CFIA, USDA & FDA Approved Installations | 7 |
| Planning & Preparation | 7 |
| Vertical Installation | 8 |
| Installation Order | 8 |
| Ceiling Installation | 8 |
| Drywall Grid Ceiling Installation | 9 |
| Wall Installation | 9 |
| Horizontal Installation | 11 |
| Installation Order | 11 |
| Wall Installation | 11 |
| Ceiling Installation | 12 |
| Integrating Trusscore SlatWall with Trusscore Wall&CeilingBoard | 13 |
| Placement and Layout of Installation Area | 14 |
| Bottom Connection | 15 |
| Side Connection | 16 |
| Top Connection | 18 |
| Trim Applications | 19 |
| Installation Tips | 19 |
| Inside Corners | 19 |
| Outside Corners | 21 |
| Bottom of Wall | 22 |
| Top of Wall | 23 |
| Ceiling Perimeter | 24 |
| Panel Joints | 25 |
| Window & Door Openings | 25 |
| How to Replace a Damaged Panel After Installation | 26 |
| How to Fasten Items (Pictures, Shelves) to Trusscore Wall&CeilingBoard | 28 |
| Installing Spring Toggle Bolts | 28 |
| Heavy Items | 29 |
| Cleaning | 30 |
| Day-to-Day Cleaning | 30 |
| Pressure Washing | 30 |
| Disclaimers | 30 |
| Specifications | 31 |
| Trim Dimensions | 32 |

Warranty

For more information on product warranty please visit trusscore.com/warranty

Tools Required



Drill/Screw Gun



Level



Safety Glasses



Radial Arm Saw or Handheld Power Saw



Putty Knife



Face Mask



Tin Snips



Utility Knife



Tape Measure



Ladder and/or Scaffolding

General Recommendations

Temperature Range & Acclimatization

Trusscore Wall&CeilingBoard is designed to be installed between 10-20°C (50-68°F). For installations outside that temperature range, please consult our [Cold Weather Installation Guide](#).

- ⚠ Regardless of temperature, Trusscore Wall&CeilingBoard must sit in the location where it's being installed for a minimum of 24 hours before installation to minimize expansion or contraction after the product is installed.** We recommend loosening or removing any packaging material that may restrain the product while it's acclimatizing. [\[Watch How\]](#)

Cutting Panels

As a simple method of eliminating cracking or chipping Trusscore Wall&CeilingBoard, use a saw blade designed to cut vinyl products. Alternatively, installing standard saw blades in the reverse direction is recommended. [\[Watch How\]](#) Coarse-toothed blades should be avoided for best results. As an additional option, concrete/masonry blades can be used. For all blades, apply smooth even pressure to the product when completing the cut. [\[Watch How\]](#)

Here are some examples of widely available blades we recommend. (Table on next page)

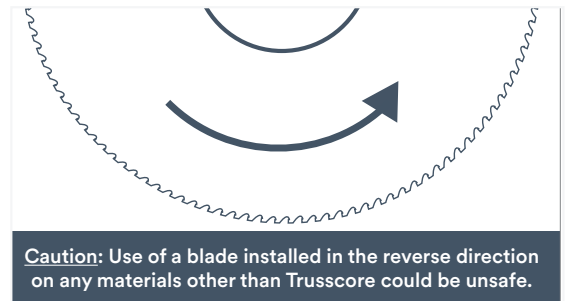



Fig. 1

| Description | Product Number |
|---|----------------|
| IRWIN Marathon 7 1/4" - 120T Vinyl Siding Corded Circular Saw Blade | 11830 |
| Dewalt 12" - 80T Precision Trim Saw Blade | DW3232PT |
| AvantiPro 12" - 80T Fine Finish Saw Blade | P128080PP |
| Dewalt 6 1/2" - 90T Construction Saw Blade | DW9153 |
| Makita 7 1/2" - 40T Carbide Tipped Saw Blade | A-90629 |
| Makita 6 1/2" - 44T Carbide Tipped Fine Crosscutting Saw Blade | A-98360 |
| Diablo 7 1/4" - 60T Carbide Tipped Ultra Finish Saw Blade | D0760 |

In cold weather, move the saw through the material slowly to prevent chipping or cracking (Fig. 1). Performing a test cut will allow you to confirm the performance of your cutting tool without impacting your project.

For your safety, safety goggles and a face mask should be worn while using a power saw.

 Any offcuts you create are recyclable.

Cutouts

If holes are required for things like electrical boxes, lights, taps, etc., it is recommended to use a jigsaw, oscillating saw or hole saw to cut out the shape — Square cut-out: [\[Watch How\]](#) Round cut-out: [\[Watch How\]](#). Here are some widely available options we recommend.

| Description | Product Number |
|---|----------------|
| Bosch Basic for Metal-Thin Jig Saw Blade with 17-24 TPI | T118A |
| Diablo Bi-metal General Purpose Jig Saw Blade with 5/10 TPI | DJT345XF |
| Dewalt HCS Clean Cut (Wood) Jig Saw Blade with 10 TPI | DW3760H |
| Milwaukee 3" Diameter Hole Dozer Hole Saw Blade with Arbor | 49-56-9670 |
| Milwaukee Universal Fit Oscillating saw Blade | 48-90-1231 |

Square cut-outs should be made following the steps below.

1. Measure the location of the opening on the wall.
2. Mark the perimeter of your opening on the panel.
3. Drill a 1/2" hole in the corner of the required opening (Fig. 2).

Insert the blade into the hole and proceed to cut out along your marked lines.

If performing this cut after the panel has been installed, ensure the space behind the area to be cut is free of obstructions, electrical wires, plumbing or any other object.

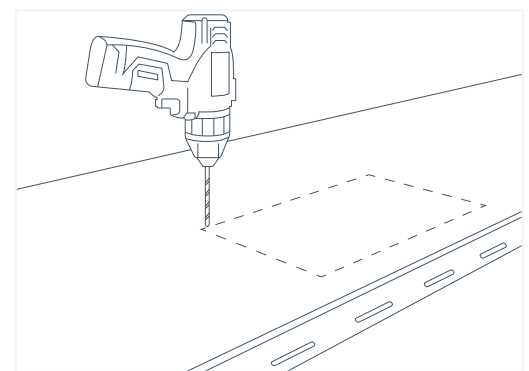


Fig. 2

Long Panel Runs

When installing Trusscore Wall&CeilingBoard in applications that require a long, continuous run of panels, it is recommended to install an expansion joint to accommodate panel expansion and contraction.

Please consult our Technical Guide [Installing Expansion Joints for Long Panel Runs](#) for more details.

Ripping Panels

A rip-cut is a technique (common in woodworking) that cuts a material in a straight line, parallel to the length of the board/panel. Cutting Trusscore Wall&CeilingBoard with this technique is occasionally necessary, depending on the layout and configuration of the project. [\[Watch How\]](#)

To ensure even panel spacing on your project, plan the layout of your Wall&CeilingBoard panels prior to installation. If the wall space requires performing a rip cut on one or more panels, ensure that any ripped panels maintain a minimum width of 8". If necessary, cutting both the first panel and last panel of your wall or ceiling installation will accomplish this.

- If you are cutting the first panel, cut off the tongue side
- If you are cutting the last panel, cut off the groove (screw flange) side

When measuring the coverage needed, measure only the panel profile (exposed face), not the nailing flange. See the [Specifications](#) section of this document for more information about the exposed face dimensions of Trusscore Wall&CeilingBoard.

Remember – you need to allow for 1/4" of space at the end of the wall for expansion/contraction.

When installing the last panel of the wall, a putty knife can be helpful in bending the J Trim back to create enough space to get the panel into the trim.

Fastening

Trusscore Wall&CeilingBoard is designed to be installed with screws. Use corrosion resistant #8/#10 gauge screws with a flat-bottomed, low profile head (i.e. truss head, pancake head, round or washer head, cabinet, and other low profile screws) and a minimum head diameter of 3/8". (Fig. 3).



| Wall Assembly | Screw Recommendation | Screw Length |
|--------------------------|---|--------------|
| Wood Stud | #8/#10 Truss Head, Pancake Head, Round or Washer Head, Cabinet and Other Low Profile Screws | 1-1/4" |
| Drywall | | 1-3/4" to 2" |
| Furring Strips/Strapping | | 2-1/2" |
| Plaster | | 2" to 2-1/2" |
| Concrete | 3/16" Flathead Tapcon | 1-1/4" |
| Metal or Steel Studs | Self-Tapping #8/#10 Low Profile (as above) | 1-1/4" |

- ⚠ For highly corrosive or moist environments, we recommend the use of stainless-steel screws.
- ⚠ Failure to follow fastening instructions may damage the panel and/or void the warranty.

Fastening tips

- **Do not over-tighten screws**
- Allow a minimum of 1/16" (about the thickness of a dime) between the back of the screw head and the screw flange (Fig. 4 next page)

- Always fasten in the center of the screw flange slots; fastening at the end of the slots can cause the panels to buckle or distort (Fig. 5)
- Screws must be installed straight and level to allow for movement (Fig. 6)
- All panels must be allowed to slide freely after fastening to allow for expansion and contraction
- Screws should penetrate a minimum of 1" into solid backing
- When installing vertically, a screw is required for every 2' of Trusscore panel or trim.
- When installing horizontally, a screw is required on each stud location (usually every 16" or 24").

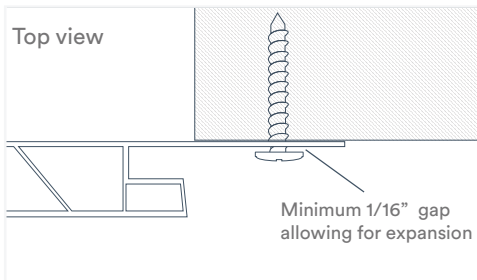


Fig. 4

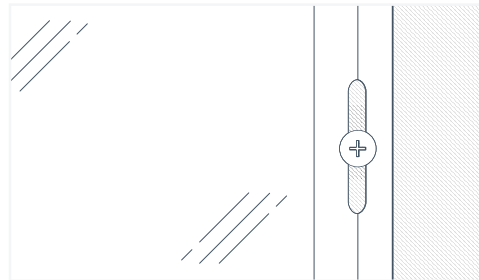


Fig. 5

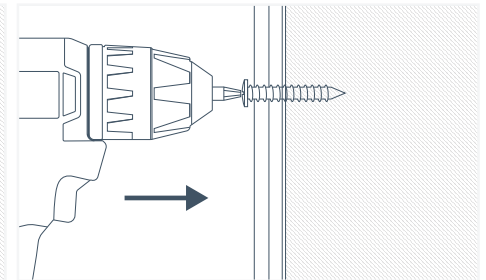


Fig. 6

Drywall Anchors

There may be instances where screw locations do not penetrate into solid backing and adding furring strips or strapping is not an option, such as when installing on top of drywall. In this case, drywall anchors may be used.

The recommended drywall anchor is #6 Wall Arrow™ by Attaches Reliable Fasteners (part number 059-999-KB).

It is recommended to use screws wherever possible on panels or trims following the fastening guidelines. Drywall anchors should only be used when there is no solid backing at a screw location (i.e., one or two drywall anchors per panel).

The drywall anchor will replace the screws being used and will act as the fastener for that location.

Using a hammer, tap the drywall anchor through the screw flange ensuring to leave the minimum 1/16" gap between the drywall anchor head and the screw flange. Then using the included screws with the drywall anchors, insert a screw into the drywall anchor and fasten until flush with the drywall anchor head.

Panel Spacing

It is essential that a minimum of 1/4" clearance is left at the ends of all panels and trims to allow for expansion and contraction. For longer lengths (>20' long), allow 3/8" clearance.

For vertical panels or trims that sit flush on the bottom J Trim or Base Trim, a minimum of a 1/2" clearance must be left at the top of the panel (as all expansion will take place at the top of the panel).

High-Moisture Environments

If you are installing Trusscore Wall&CeilingBoard in a high moisture environment such as a car wash, for example, the following guidelines must be followed:

- Install panels in a vertical orientation to allow for the best possible drainage
- Apply a small bead of silicone, approximately the thickness of a string of yarn, along the tongue of the panel and insert the tongue into the groove of the previous panel. Press the panels firmly together to ensure a proper connection and wipe away any excess silicone
- If you are using J Trim at the bottom of your wall, you must drill drainage holes in the bottom of the J Trim per the guidelines in the [Trim application](#) section of this document

Use of Silicone Sealant

We recommend that a silicone sealant is used to seal all corners, around all fixtures, and to repair small holes. The best way to select a corresponding colored silicone is to compare a sample of Trusscore to the color shown physically on the silicone tube at the store, as colors and brands will vary regionally.

Radiant Heat

All sources of radiant heat must be shielded and located with a minimum of 24" clearance between it and Trusscore Wall&CeilingBoard. Consult the manufacturer of any heater for further guidelines regarding any necessary shielding and clearances before installing.

Epoxy Floors

When installing Wall&CeilingBoard in a location that will receive an epoxy floor, the epoxy cannot be sprayed onto the Trusscore Wall&CeilingBoard.

CFIA, USDA & FDA Approved Installations

Trusscore Wall&CeilingBoard panels are fully compliant with the requirements set out by the CFIA, USDA and FDA for areas where food is prepared. In these applications, the following guidelines must be followed.

- The product is strictly for use on non-food contact surfaces
- All joints are to be sealed with an acceptable flexible caulking compound to provide a smooth, flush, and impervious joint

In Canada, DAP Silicone Ultra Kitchen, Bath & Plumbing Sealant can be used for this application. In the USA, the product is branded as DAP Commercial Kitchen 100% Silicone Sealant. Both meet FDA Reg. 21, CFR 177.2600 and are certified to NSF/ANSI Standard #51.

Planning & Preparation

- Check surfaces for straightness and install furring strips or strapping where necessary; make sure that all vapor barriers, etc are installed to code prior to Trusscore Wall&CeilingBoard being installed
- Trusscore Wall&CeilingBoard should be installed perpendicular to ceiling joists or roof trusses; when additional strapping must be installed, 1"x4" or 2"x4" furring strips or strapping should be the minimum that is installed; if installing parallel, joists must be 16" on-center
- If furring strips or strapping are required, it should be installed perpendicular to the framing members at 24" on-center
- Install wood blocking (short pieces of lumber for added support/coverage) around all openings to properly support trims
- If you're suspending lights or other items, install adequate backing at each location as required; never mount items directly to Trusscore (continued on the next page)
- Do not begin installation until the building is fully enclosed, heating/cooling equipment is in operation and any residual moisture from construction has been removed

Vertical Installation

Installation Order

If Trusscore Wall&CeilingBoard is being installed vertically on the walls of a project as well as the ceiling, it is recommended to be installed on the ceiling first. [\[Watch How\]](#)

Ceiling Installation

1. Cut the length of the first panel for the first course. Position the panel so the screw flange is pointing away from the wall (Fig. 7). Ensure the panel is parallel to the outside wall before fastening. Measure on each end and if the measurements are equal, the panel is parallel.
2. Leave a 1/8" gap between the tongue side of the panel and the wall. Fasten a minimum of once every 24" with the appropriate recommended screws. Remember to leave 1/4" of clearance at both ends of the panels for expansion and contraction. Remember not to over tighten your screws.
3. If your ceiling is longer than your panel lengths, the panels must be joined in the middle using the H Channel Snap-In Kit (Fig. 8). Refer to the Joining Panels portion of the [Trim Applications](#) section of this document for details.
4. After the first panel row is installed, immediately install the J Trim for the top of the wall below, by pushing the trim tight to the face of the ceiling panel(s) with the channel facing away from the panels and fasten to the wall. This will hold up the side of the ceiling panel that was not fastened. Ensure the length of trim is cut 1/2" short in one corner (Fig. 9).

Note: It is not recommended to use Inside Cove Corner Trim for the top or bottom of walls for these instructions. It should only be used for the vertical corners.

5. With the first panel row installed, the rest of the ceiling panels can be installed. The tongue of the second panel will be inserted into the groove of the first panel. Press panels firmly together during installation to ensure a proper connection. Once the two panels are firmly interconnected, the most recently added panel can be fastened.
6. Periodically check your installation to ensure the panels continue to be installed in straight, even rows. To do this, measure the distance from the wall to the edge of your panels at both ends of the panel (Fig. 10). If both measurements are identical, the installation is adequately aligned. If the measurements are uneven, you will need to correct the positioning of your board.

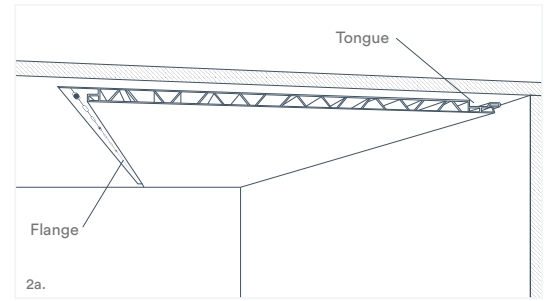


Fig. 7

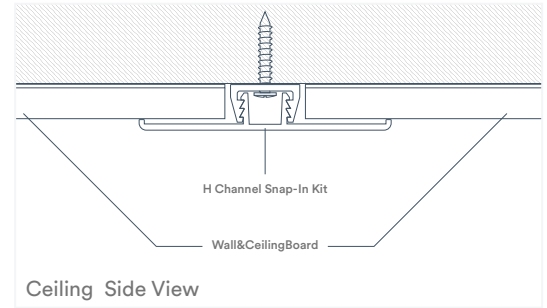


Fig. 8

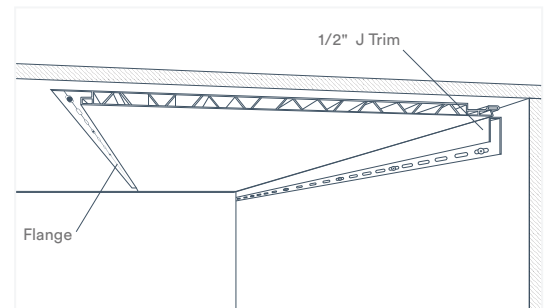


Fig. 9

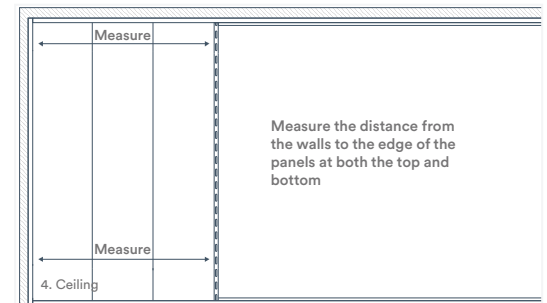


Fig. 10

7. The final panel may need to be trimmed to fit. Refer to the [Ripping Panels](#) section for details on how to do this. [\[Watch How\]](#) Ensure there is a 1/8" gap between the ripped edge of the panel and the wall.
8. Install the last panel by inserting it into the groove of the previous panel and then immediately install the J Trim for the top of the wall below, by pushing the trim tight to the face of the ceiling panel(s) with the channel facing away from the panels and fasten to the wall. This will hold up the last ceiling panel that was not fastened (Fig. 11).

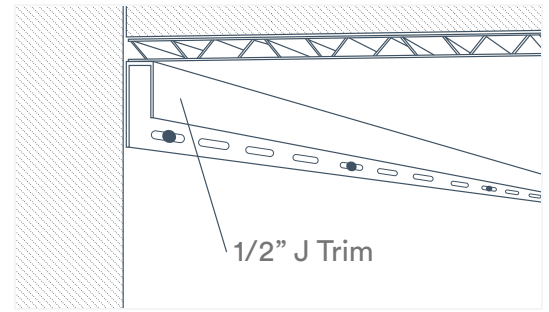


Fig.11

Drywall Grid Ceiling Installation

Wall&CeilingBoard may be installed as part of a drop ceiling application using drywall grid, which is designed for applications where materials will be fastened by screw. If Trusscore Wall&CeilingBoard will be installed in this manner, please consider the following:

- Install the panels perpendicular to the drywall grid
- Plan your installation in advance so trims can be installed directly into the grid; main beams are preferable, but cross tees can also be added to support these trims
- Panels must be fastened into the grid from below to ensure a waterproof installation; they cannot be dropped into the grid in this application
- The grid should be arranged so the panels are fastened a minimum of 24" on-center
- A #12 x 3/4" pan head stainless steel screw is suggested for fastening

Wall Installation

1. Begin by installing Base Trim or J Trim along the bottom of your wall. Guidelines for trim installation can be found in the [Trim Applications](#) section of this document. Wherever you have cut the top trim piece short at the corner, ensure you do the same for the bottom trim piece.
2. Using J Trim or Inside Cove Corner Trim for your corners, start with the corner where you cut the J Trim 1/2" short and offset the vertical trim piece from the corner 1/2" to allow enough room for the last wall panel to be inserted behind the trim when you are finished (Fig. 12). Then, install perimeter trims required around openings like doors or windows.
3. At the top of your walls, you can now install the remaining J Trim.

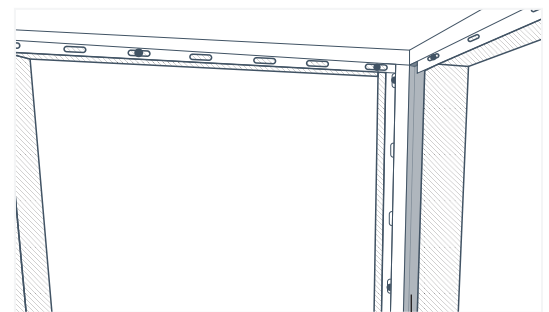


Fig.12

1/2" Gap

4. Cut the length of the first panel for the first course. Starting in the corner where you cut the J Trim 1/2" short, place the panel with the tongue side in the corner trim and the groove (screw flange) side facing away from the wall (Fig. 13). Ensure the panel is parallel to the outside wall before fastening. Leave a 1/8" gap between the tongue side of the panel and the adjoining trim. Fasten a minimum of once every 24" with the recommended screws
5. Remember to leave 1/4" of clearance at both ends of the panels for expansion and contraction. Remember not to over tighten your screws.
6. With the first panel row installed, the remaining wall panels can be installed. The tongue of the second panel will be inserted into the groove of the first panel. Press panels firmly together during installation to ensure a proper connection. Once the two panels are firmly interconnected, the most recently added panel can be fastened.
7. Check your installation periodically to ensure the panels continue to be installed in straight, even rows. To do this, measure the distance from the wall to the edge of your panels at both the top and bottom of the panel (Fig. 14). If both measurements are identical, the installation is adequately aligned. If the measurements are uneven, you will need to correct the positioning of your board.
8. Your last panel may need to be trimmed to fit. Refer to the [Ripping Panels](#) section for details on how to do this. [\[Watch How\]](#) Ensure there is a 1/8" gap between the ripped edge of the panel and the wall.
9. After the last panel on the wall has been installed, place the next corner trim piece directly beside that panel with the channel facing away from the panels ensuring it is pushed tight to the corner and then fasten it to the wall (Fig. 15).
10. Repeat steps 4 to 9 to install the remaining panels for each wall.
11. When you reach the corner you first started with, insert the panel behind the trim piece where you left the 1/2" gap. Ensure to rip the panel to allow for adequate space to fully insert it behind the trim and then slide it back toward the groove on the previously installed panel pressing firmly together for a proper connection (Fig. 16).

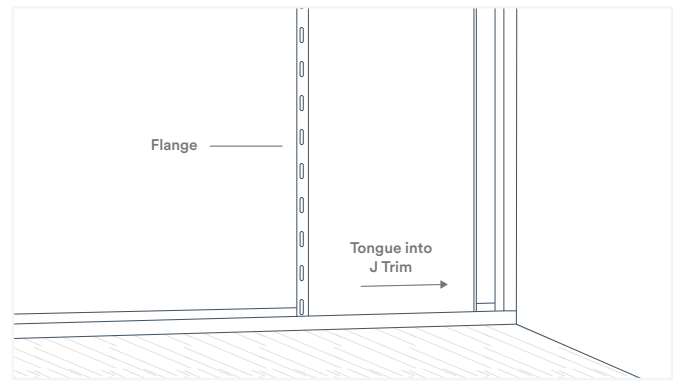


Fig. 13

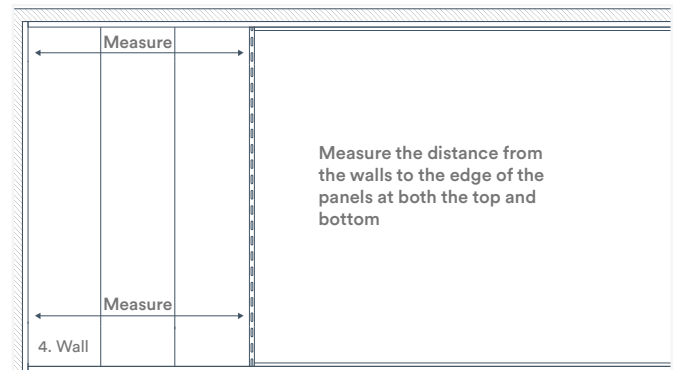


Fig. 14

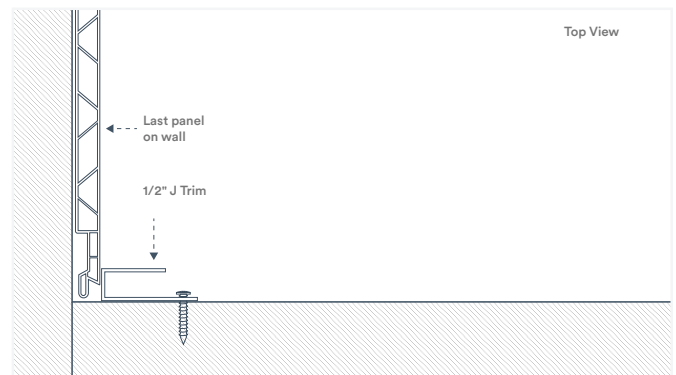


Fig. 15

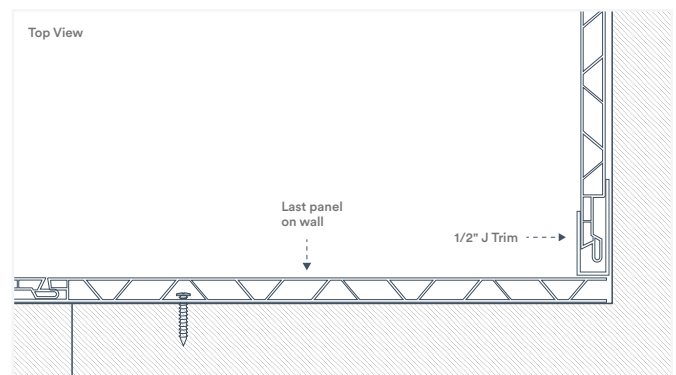


Fig. 16

Horizontal Installation

Installation Order

If Trusscore Wall&CeilingBoard is being installed horizontally on the walls of a project as well as the ceiling, it is recommended to start with the walls first before installing panels on the ceiling.

[\[Watch How\]](#)

Wall Installation

1. Begin by installing Base Trim or J Trim along the bottom of each wall. Guidelines for trim installation can be found in the [Trim Applications](#) section of this document.

2. Then install perimeter trims required around openings like doors and windows.

3. Cut the length of the first panel for the first course. Starting from the bottom, position the panel so the screw flange is pointing away from the floor. Before fastening, use a level to ensure the panel is properly aligned and leave a 1/8" gap between the tongue side of the panel and the adjoining trim (Fig. 17). Fasten a minimum of once every 24" with recommended screws.

4. Leave 1/4" clearance at each panel end to allow for expansion and contraction. Do not over tighten your screws.

5. If your wall measurement is longer than the panel lengths, the panels must be joined in the middle using an H Channel Snap-in Trim kit (Fig. 18). Refer to the Joining Panels portion of the [Trim Applications](#) section of this document for details.

6. With the first panel row installed, the rest of the wall panels can be installed. The tongue of the second panel will be inserted into the groove of the first panel. Press panels firmly together during installation to ensure a proper connection. Once the two panels are firmly interconnected, the most recently added panel can be fastened.

7. Periodically check your installation to ensure the panels continue to be installed in straight, even rows using a level. If the panels are not level, you will need to correct the positioning of your board.

8. The top panel may need to be trimmed to fit. Refer to the [Ripping Panels](#) section for details on how to do this. [\[Watch How\]](#). Ensure there is a 1/8" gap between the ripped edge of the panel and the ceiling.

9. Install the top panel by inserting it into the groove of the previous panel.

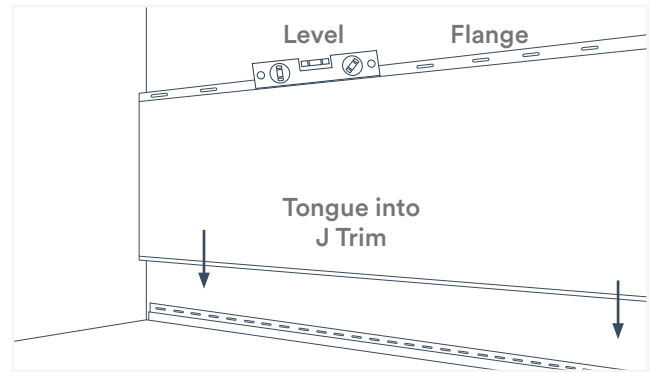


Fig. 17

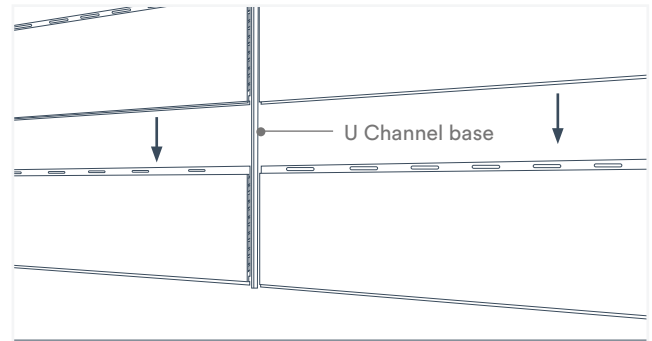


Fig. 18

10. After you have installed panels up to the ceiling, install J Trim or Inside Corner Cove trim in each corner of the wall with the panels. Place the trim against the panel with the channel facing away from it. Ensure it is pushed tight to the corner and then fasten it to the wall (Fig. 19).

11. Move to the opposite wall from where you started and install trim and panels in the same manner as the first wall.

12. Install panels on the remaining walls by inserting each panel end into the vertical trim pieces and sliding down into the bottom trim piece first, then interlocking the tongue and groove for each subsequent panel.

Ceiling Installation

1. Begin by installing J Trim around the perimeter of the ceiling. Place the trim against the wall panels with the channel facing away from it. Ensure it is pushed tight to the corner and then fasten it to the ceiling (Fig. 20).

2. Trusscore Wall&CeilingBoard panels should be installed perpendicular to the ceiling joists. If the ceiling joists are not visible, use a stud finder to locate their direction (Fig. 21).

3. Cut the length of the first panel for the first course. Position the panel so the screw flange is pointing away from the wall. Ensure the panel is parallel to the outside wall before fastening. Measure on each end, and if the measurements are equal, the panel is parallel. Leave a 1/8" gap between the tongue side of the panel and the adjoining trim. Fasten a minimum of once every 24" with recommended screws.

4. Leave 1/4" clearance at both panel ends for expansion and contraction. Do not over tighten the screws.

5. If your ceiling measurement is longer than the panel lengths, the panels must be joined in the middle using an H Channel Snap-in Trim kit. Refer to the Joining Panels portion of the [Trim Applications](#) section of this document for details.

6. With the first panel row installed, the rest of the ceiling panels can be installed. The tongue of the second panel will be inserted into the groove of the first panel. Press panels firmly together during installation to ensure a proper connection. Once the two panels are firmly interconnected, the most recently added panel can be fastened.

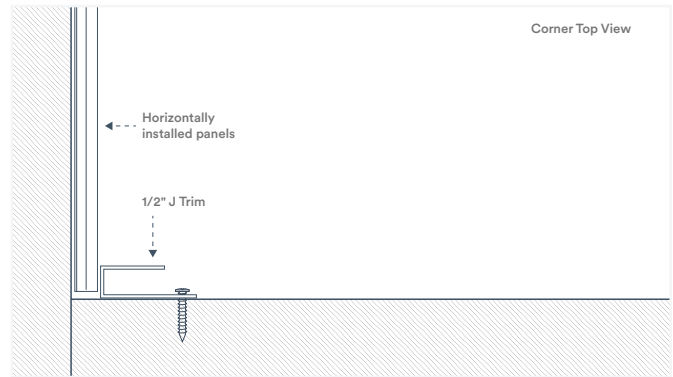


Fig. 19

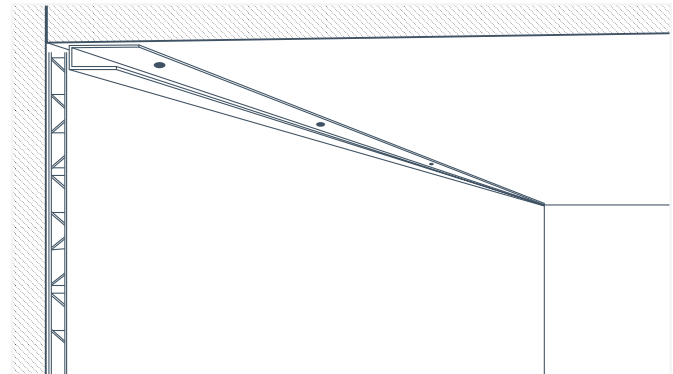


Fig. 20

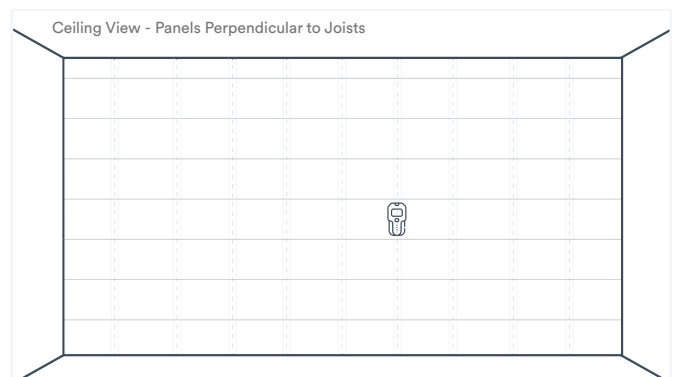


Fig. 21

7. Periodically check your installation to ensure the panels continue to be installed in straight, even rows. To do this, measure the distance from the wall to the edge of your panels at both ends of the panel. If both measurements are identical, the installation is adequately aligned. If the measurements are uneven, you will need to correct the positioning of your board (Fig. 22).

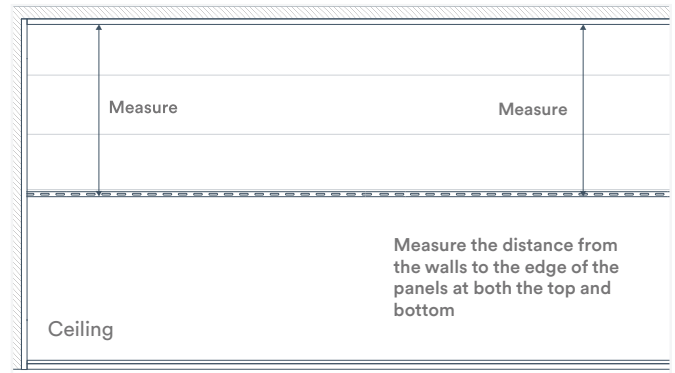


Fig. 22

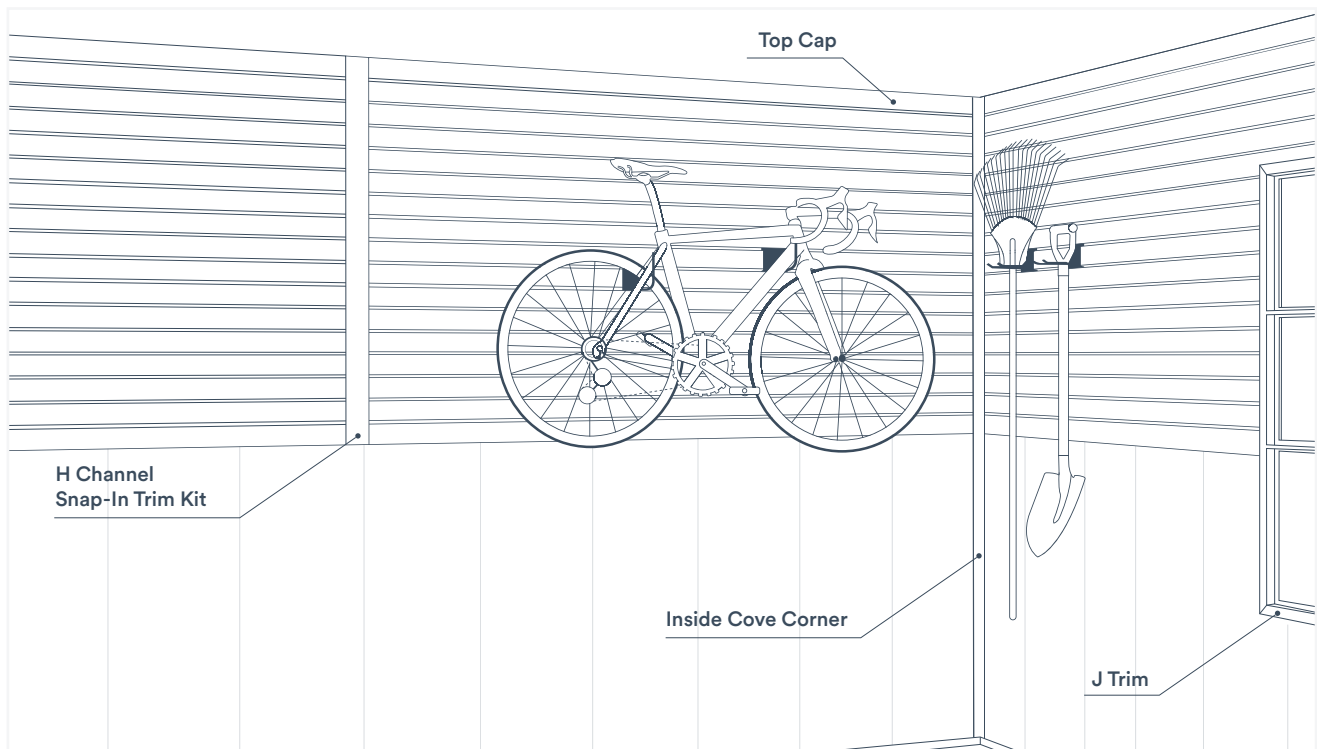
8. The final ceiling panel may need to be trimmed to fit. Refer to the [Ripping Panels](#) section for details on how to do this. [\[Watch How\]](#). Ensure there is a 1/8" gap between the ripped edge of the panel and the adjoining trim.

9. Install the last ceiling panel by inserting it into the groove of the previous panel and into the adjoining trims on each side.

Integrating Trusscore SlatWall with Trusscore Wall&CeilingBoard

Trusscore SlatWall integrates seamlessly with Trusscore Wall&CeilingBoard. This section will walk you through the installation process of integrating the two products in your project.

For even more detailed instructions and considerations regarding the installation of Trusscore SlatWall, please visit the [Trusscore SlatWall Installation Guide](#).



Planning and preparing your desired installation space are necessary first steps. Please refer to the [Planning & Preparation](#) section of this installation guide.

Placement and Layout of Installation Area

1. Refer to the image below for the recommended installation layout (Fig. 23) and appropriate spacing measurements (Fig. 24). It is critical to leave adequate spacing between Wall&CeilingBoard panels and the SlatWall panel area for the H Channel Snap-In Trim which will serve as the transition trim between the two products. Suggested spacing is the same for both horizontal and vertical Trusscore Wall&CeilingBoard installation orientations.

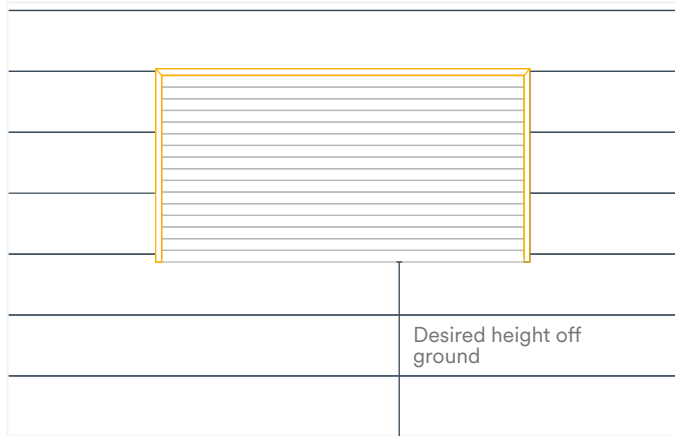


Fig. 23

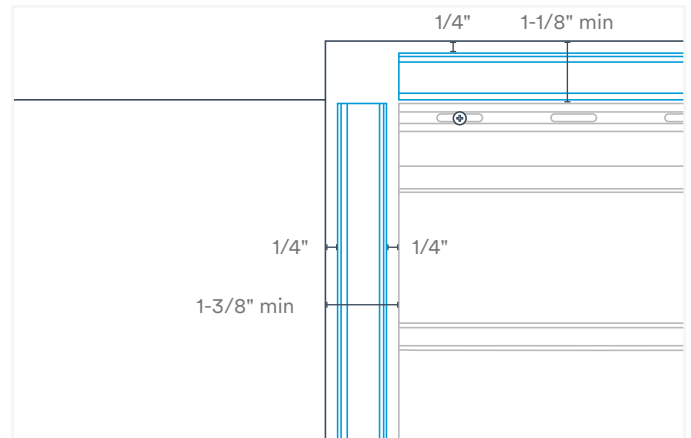


Fig. 24

■ Trusscore Wall&CeilingBoard ■ Trusscore SlatWall ■ H Channel Snap-In Trim ■ U Channel Base

2. Inside the SlatWall installation area, locate and mark each wall stud using a stud finder (Fig. 25). Use a level and a pencil to mark each stud from the top to the bottom of your installation area, ensuring each line is plumb (Fig. 26).

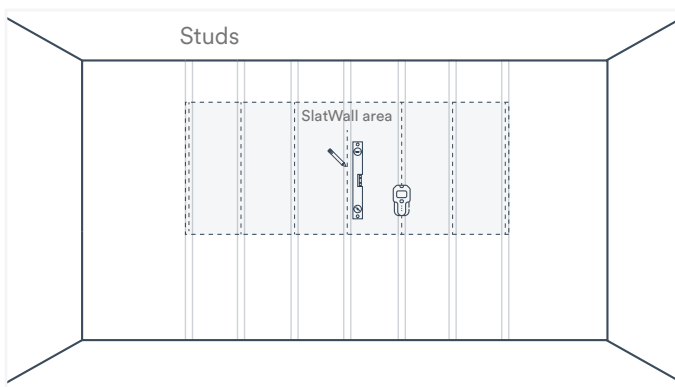


Fig. 25

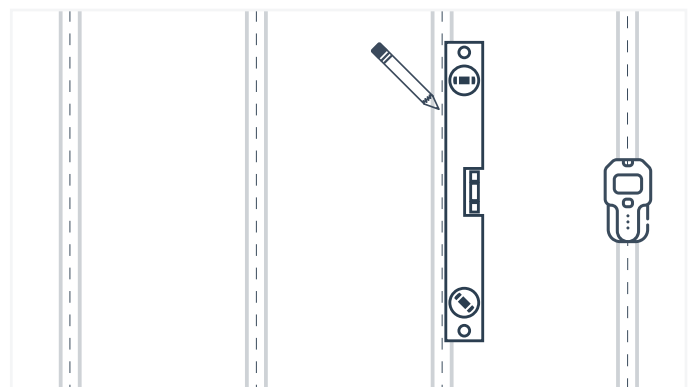


Fig. 26

⚠ Each SlatWall panel must be fastened to studs every 16" on-center minimum. If stud intervals are greater than 16", the installation of blocking between studs may be required to provide sufficient support to the SlatWall panels, trim and any adjacent Trusscore Wall&CeilingBoard panels if applicable.

3. Install your Trusscore Wall&CeilingBoard panels as previously detailed, leaving an opening for your SlatWall installation as determined by the spacing guidance provided in Step 1 (Fig. 27).

Please see the [Wall Installation](#) section of this installation guide for detailed instructions on how to install Trusscore Wall&CeilingBoard on walls.

Bottom Connection

Trusscore SlatWall is designed to easily install directly above vertically and horizontally oriented Trusscore Wall&CeilingBoard panels. [\[Watch How\]](#)

When installing the SlatWall panels in a vertical Wall&CeilingBoard install, rest the bottom lip on the back of the SlatWall panel directly on top of the Wall&CeilingBoard panel below it (Fig. 28). Once in place, use a level to ensure it is horizontally level before fastening (Fig. 29).

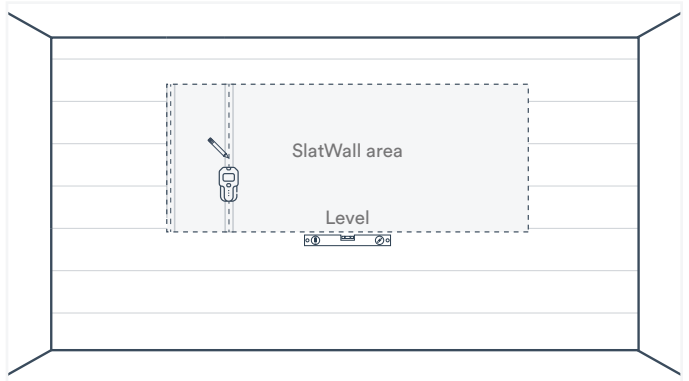


Fig. 27

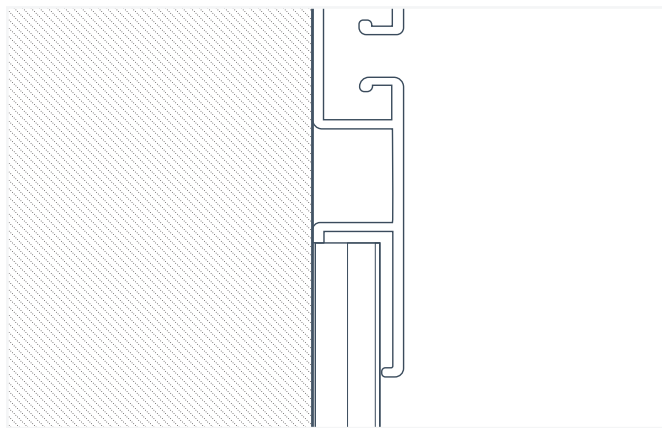


Fig. 28

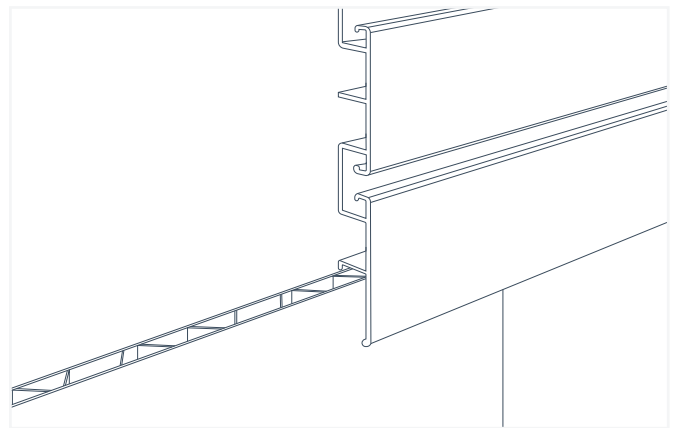


Fig. 29

When installing the SlatWall panels in a horizontal Wall&CeilingBoard install, there are two possible installation configurations depending on the intended height of the bottom SlatWall panel from the ground.

- The distance from the floor to the bottom of the first SlatWall panel is an even increment of 16" (the width of the exposed face of Wall&CeilingBoard panels). The resulting connection between SlatWall and Wall&CeilingBoard is shown below (Fig. 30).
- If the desired distance from the floor to the bottom of the first SlatWall panel is not an even multiple of 16", the Wall&CeilingBoard panel closest to the floor should be ripped to an appropriate width to achieve the desired SlatWall height (Fig. 31). The resulting connection between SlatWall and Wall&CeilingBoard is shown below.

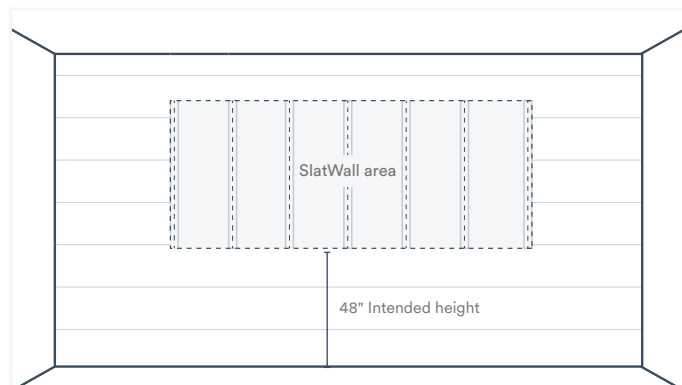


Fig. 30

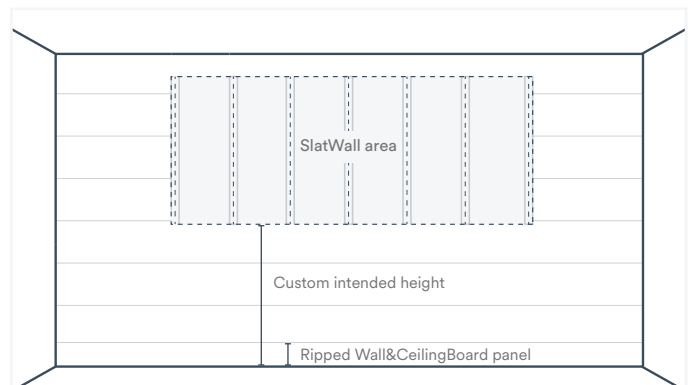


Fig. 31

Please reference the [Ripping Panels](#) section of this installation guide for further instruction on performing rip cuts on Trusscore Wall&CeilingBoard panels. [\[Watch How\]](#)

1. Prior to installing the first (bottom) panel of SlatWall, use a level to verify that the Wall&CeilingBoard panel you're connecting with has been cut/installed in a level, straight line.
2. If your installation is in a space with strong air movement, place a bead of silicone inside the bottom lip of the SlatWall panel where it meets the Wall&CeilingBoard panel(s) (Fig. 32). This ensures the panel will remain fixed in place. This step is optional.
3. Fasten the SlatWall panel to the wall through the screw flange and into each available stud.

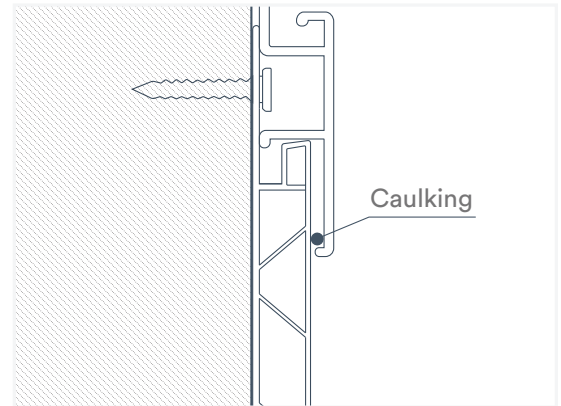



Fig. 32

 Do not overtighten the screws as this will disrupt the installation of subsequent panels.

Installing the Remaining Trusscore SlatWall Panels

Starting from the bottom, proceed with installing the remaining SlatWall panels.

1. Place a panel on top of the previously installed panel, aligning the ends of both panels (Fig. 33).
2. Starting at one end and moving to the other, apply gentle downward pressure (towards the floor) to interlock the panel with the previously installed panel below. You will feel and hear a “snap” when the panels have properly interlocked together ([Fig. 34](#)).
3. Fasten the panel you just placed into position by drilling a screw through the slotted screw flanges into each of the studs you marked in an earlier step.
4. Repeat steps 1-3 above step for all remaining panels.

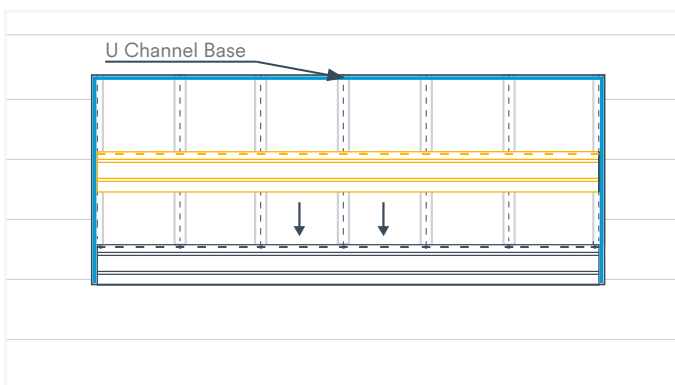


Fig. 33

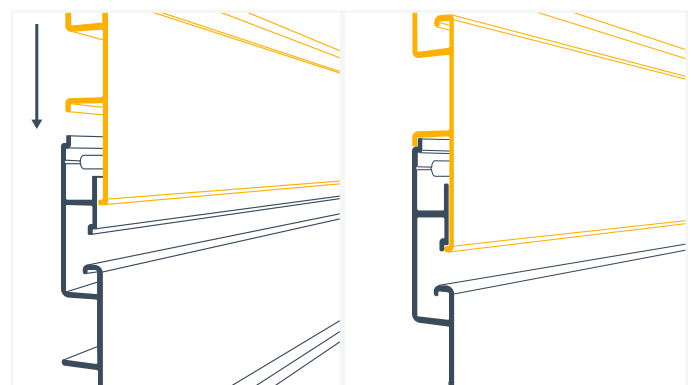


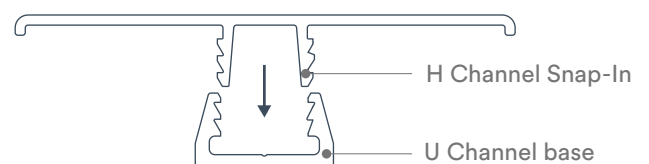
Fig. 34

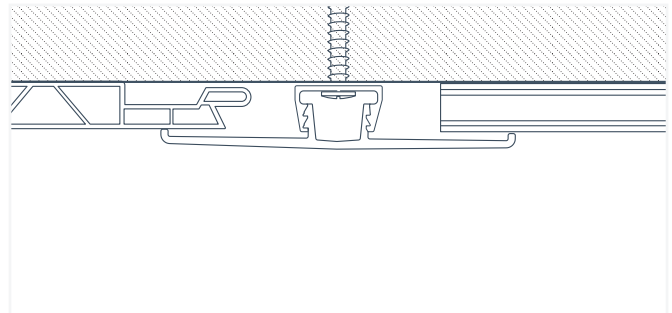
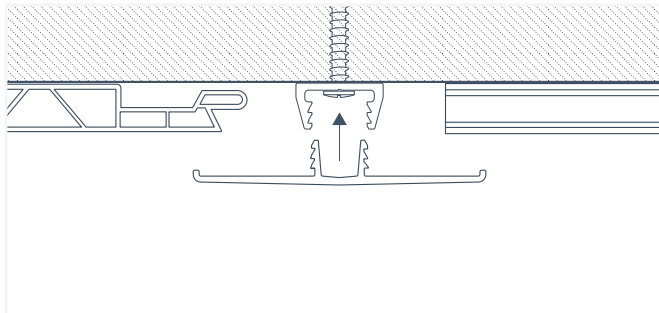
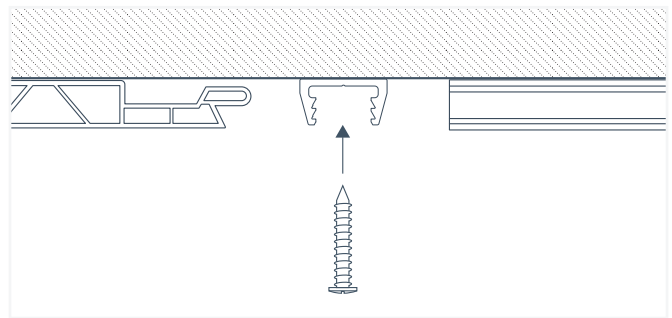
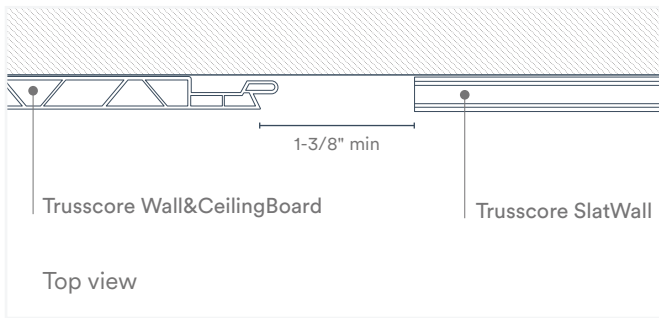
Side Connection

An **H Channel Snap-In Trim Kit** accommodates the transition between the ends of SlatWall panels and any adjacent Trusscore Wall&CeilingBoard panels.

There are two components to an H Channel Snap-In Trim kit:

- H Channel Snap-In
- U Channel base





⚠ Ensure the U Channel Base is removed from the H Channel Snap-In Trim before starting.

1. Using a power saw, cut the end of an H Channel Snap-In Trim at a 45° (mitered) angle. For best results, place the finished face of the trim upwards to perform the cut.
2. Place the H Channel Snap-In Trim up to your installation area and make a mark where it meets the bottom edge of the bottommost SlatWall panel. Cut the H Channel Snap-In Trim square at this mark.
3. Measure and mark 1-1/4" inwards from the bottom edge (end) of the H Channel Snap-In Trim. At the mark, make a vertical snip in both grooved standoffs using tin snips (Fig. 35).
4. Using the tip of the tin snips, remove the remaining stand-off material between your vertical snip and the bottom edge (end) of the trim (Fig. 36). The remaining material should be small enough to allow the H Channel Snap-In piece to sit flush overtop of the Trusscore Wall&CeilingBoard panel below it, without obstruction.

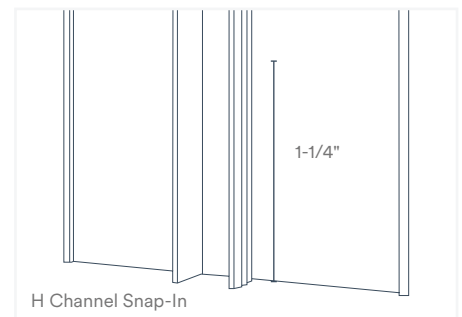


Fig. 35

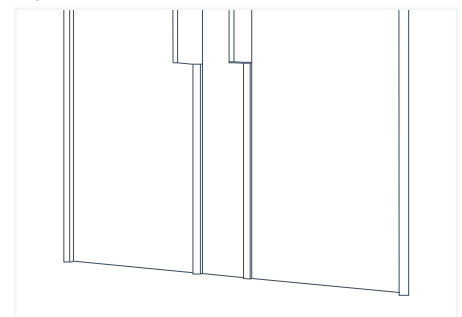
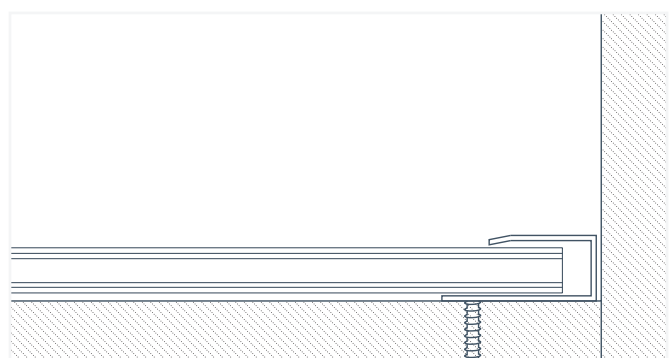
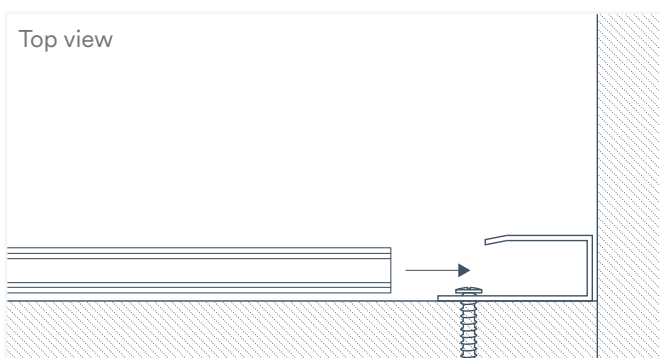


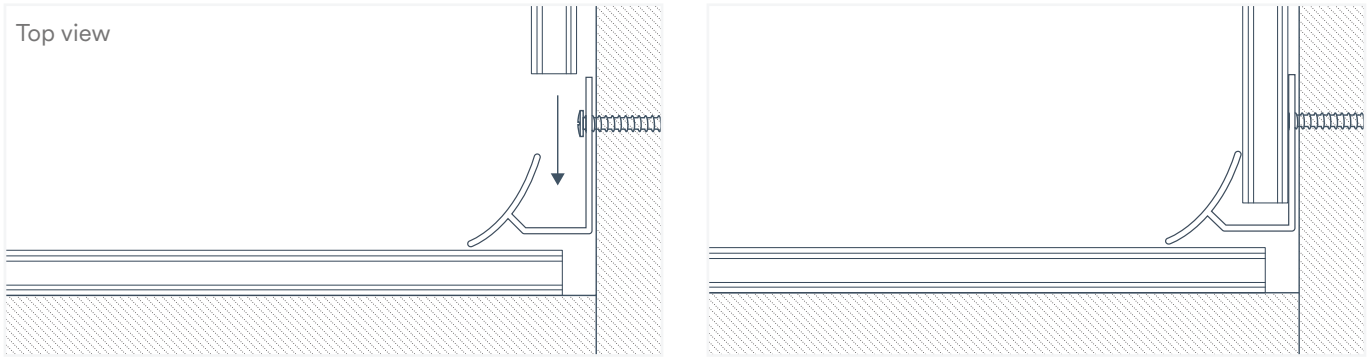
Fig. 36

Installing SlatWall in the Corner of a Room

3/4" J Trim



Inside Cove Corner Trim

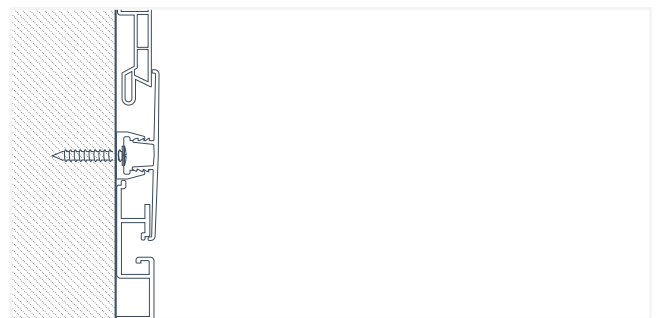
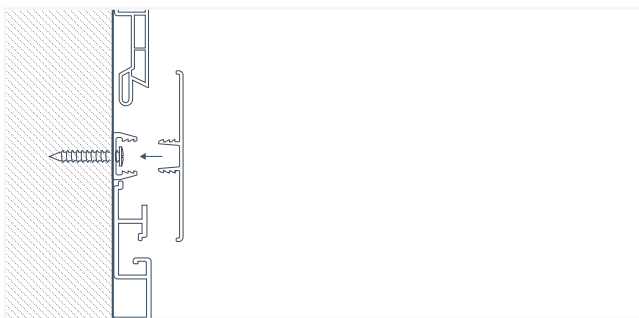
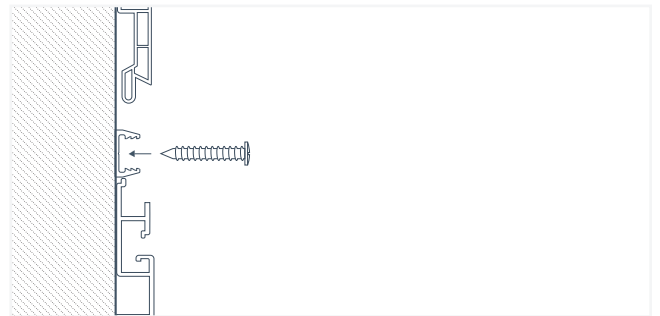
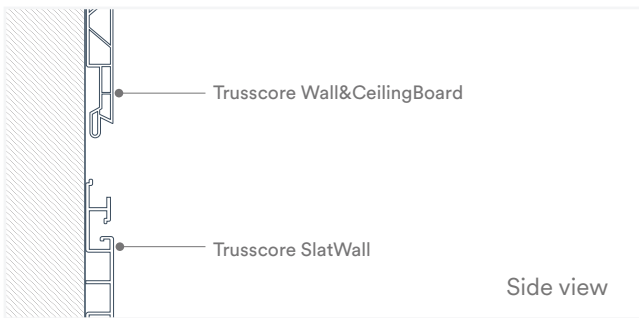
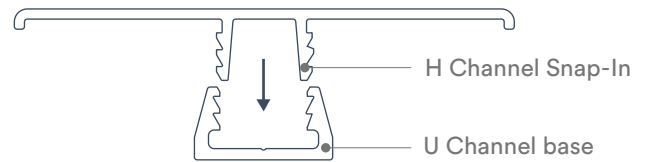


Top Connection

An **H Channel Snap-In Trim** accommodates the transition between the ends of SlatWall panels and any adjacent Trusscore Wall&CeilingBoard panels.

There are two components to an H Channel Snap-In Trim kit:

- H Channel Snap-In
- U Channel base



1. Position the U Channel base to ensure that when the H Channel Snap-In is inserted in place, the lip at the outer edge of the H Channel Snap-In aligns with the top row groove of the SlatWall panel (Fig. 37). When fastening the U Channel base to the wall, leave a gap of approximately 1/4" between the U Channel base and the Wall&CeilingBoard installed above the SlatWall area. [\[Watch How\]](#)

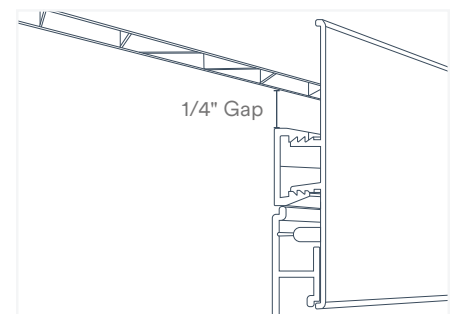
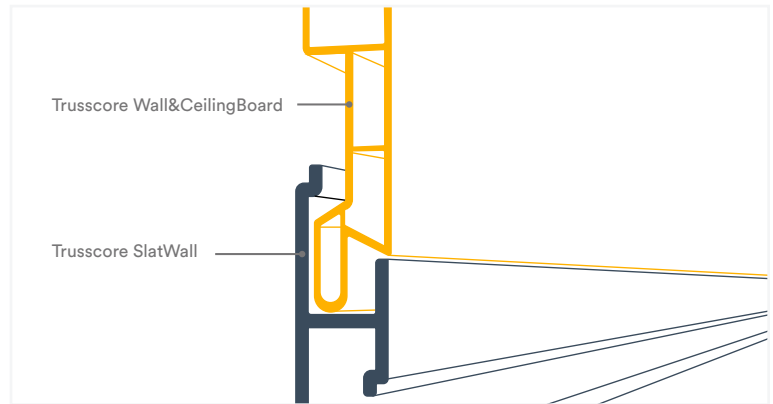


Fig. 37

- Alternatively, the Wall&CeilingBoard panel can be installed directly above the SlatWall panel by inserting the tongue of the Wall&CeilingBoard panel into the top channel of the uppermost SlatWall panel (Fig. 38).



(Fig. 38)

Trim Applications

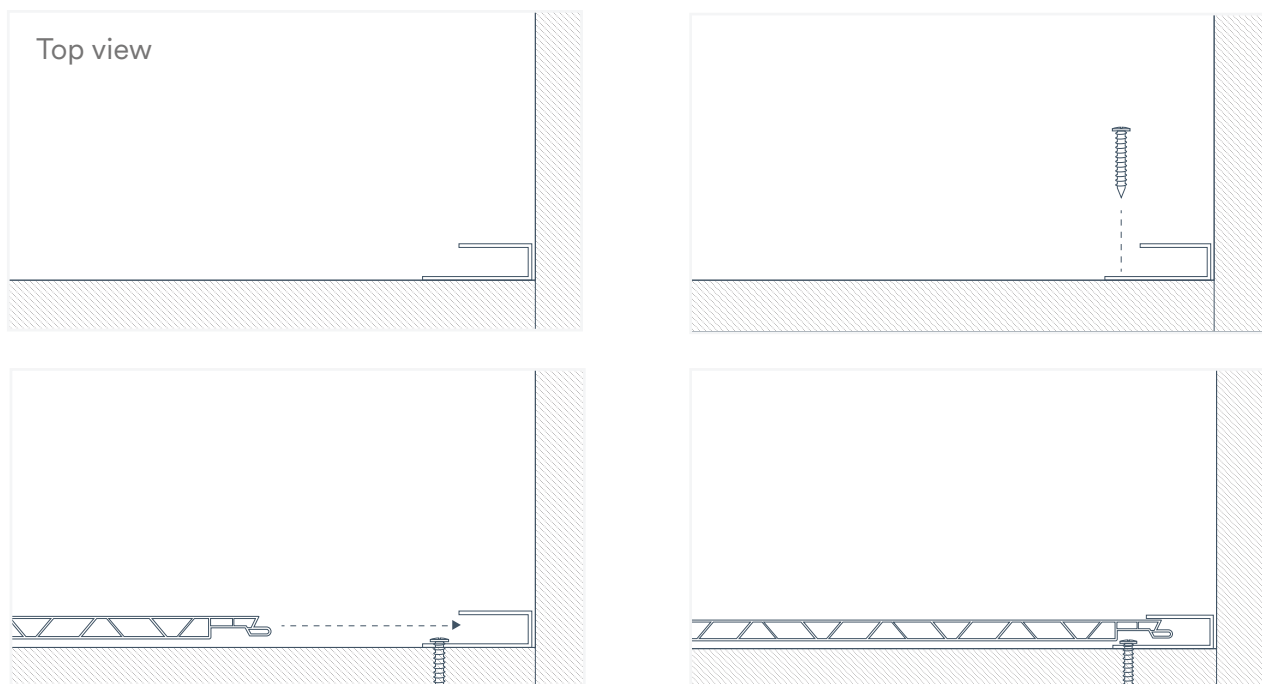
Installation Tips

- Tin snips are the safest and easiest tool to use when cutting trims; for a cleaner cut, avoid closing the blades at the end of a stroke [\[Watch How\]](#)
- Trims should be screwed to the substrate at least once every 24" and at least 4" from the end of the panel
- If an area requires more than 10' of continuous trim, the trims should be butted tightly together with silicone sealant placed between the two pieces
- To create a water-tight corner at door and window openings, insert a small bead of silicone caulking on channel opening of trim pieces before installing panels

[\[Trim Overview video\]](#)

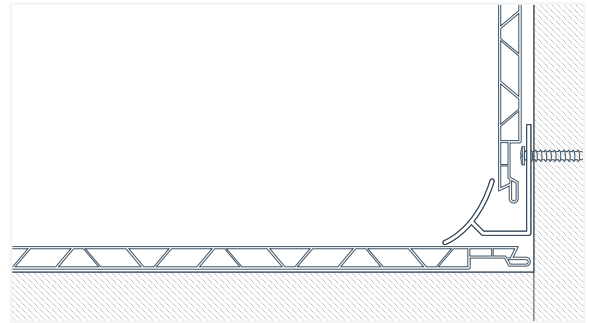
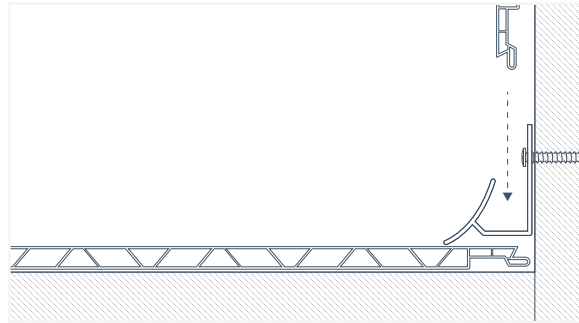
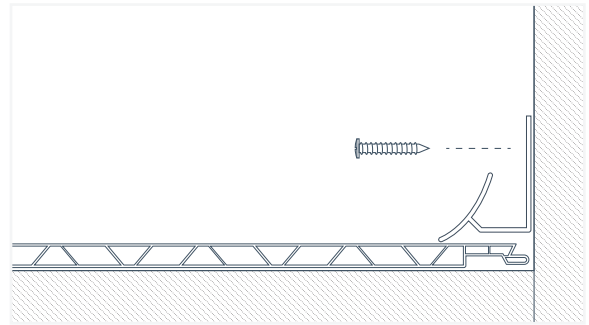
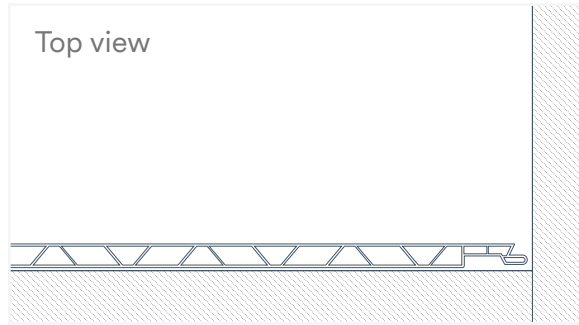
Inside Corners

One J Trim



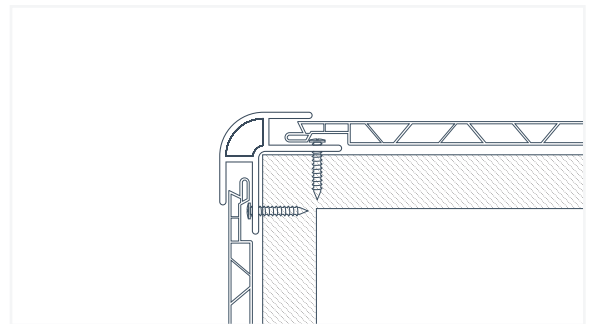
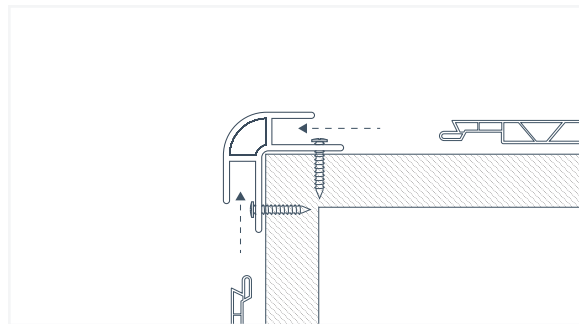
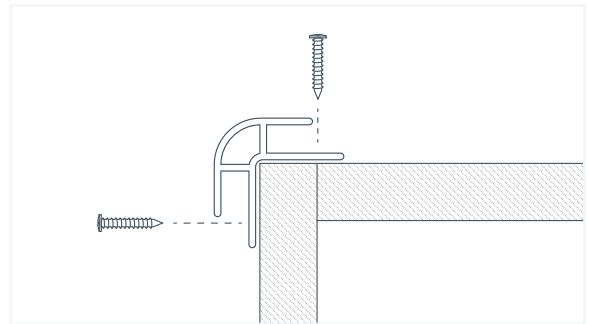
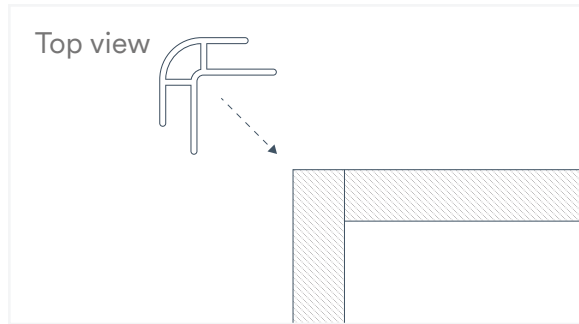
For information on the required spacing between Wall&CeilingBoard panels and trims, refer to [page 8 & 12](#) for ceilings and [page 9 & 11](#) for walls.

Inside Cove Corner

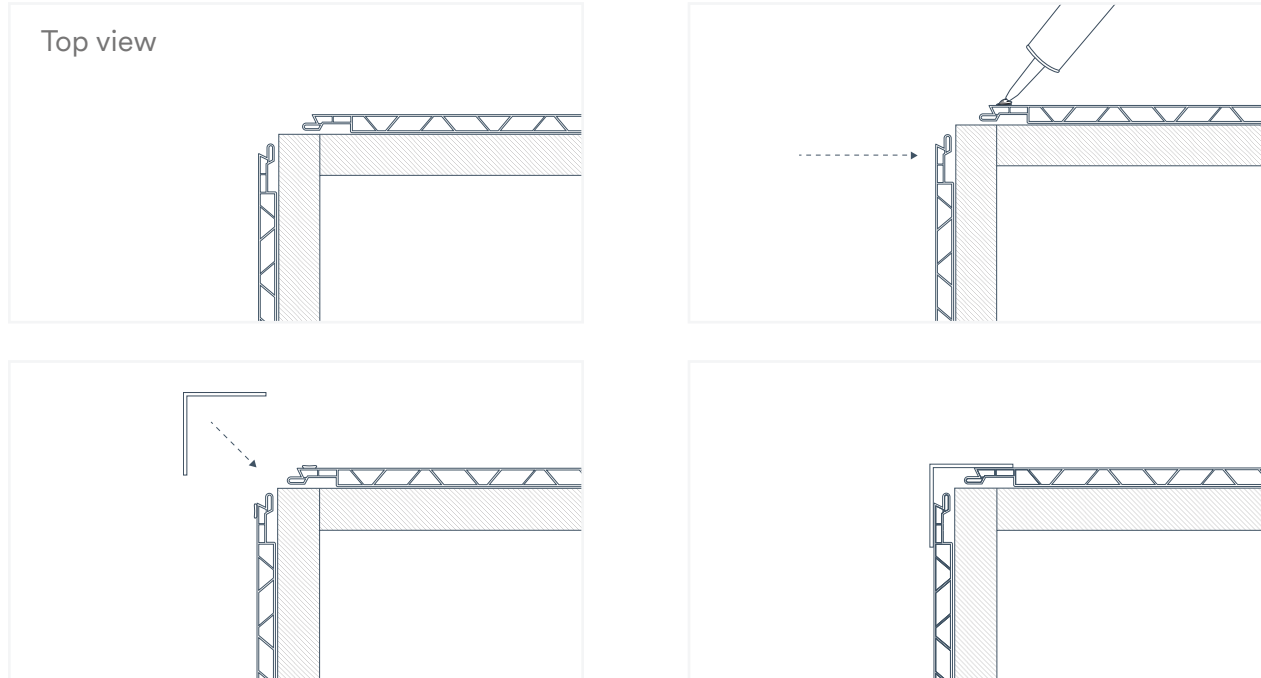


Outside Corners

Outside Corner Rounded

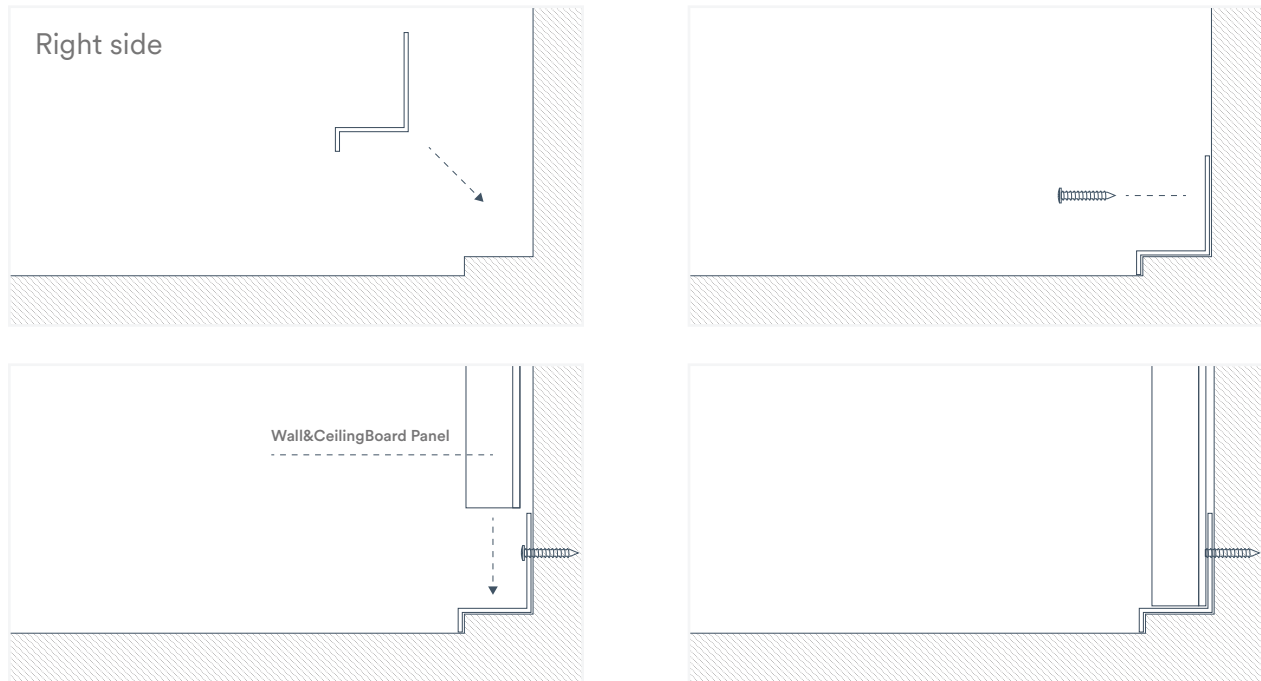


Outside Corner Square



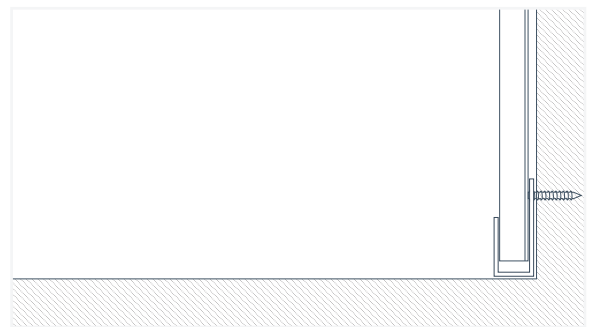
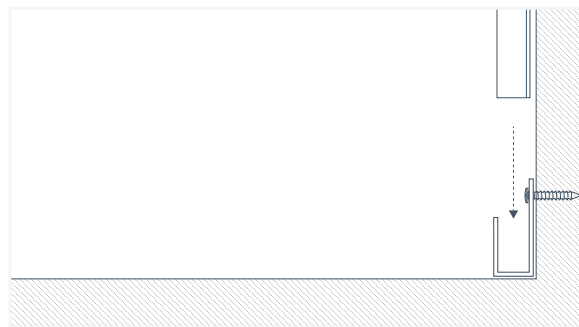
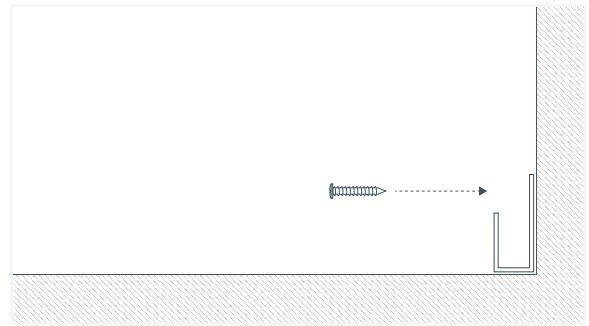
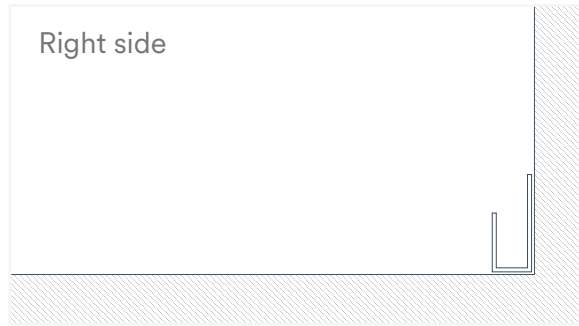
Bottom of Wall

Base Trim

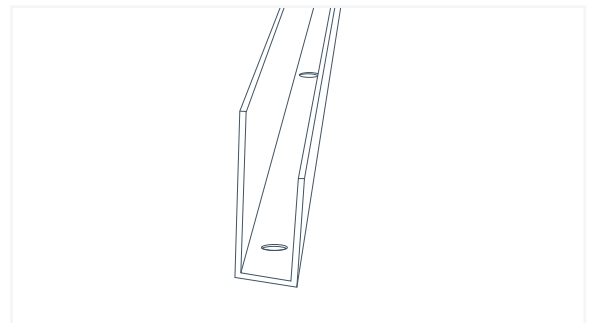
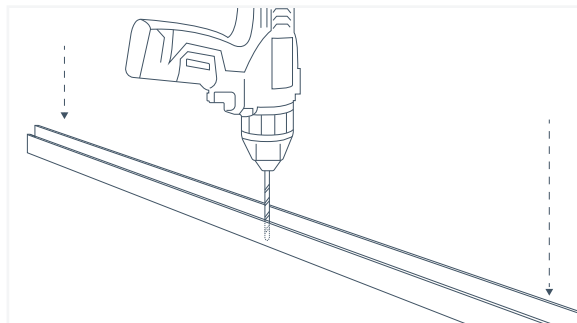


Do not use base trim on sloped floors.

J Trim



High Moisture Applications

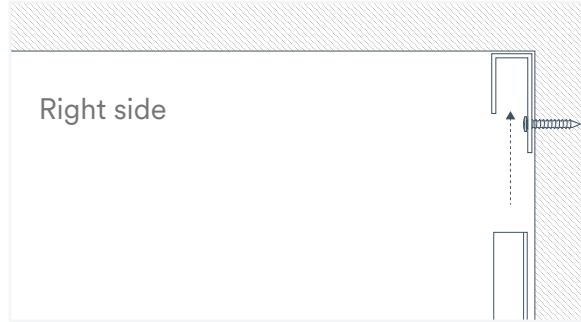


To ensure drainage, drill 1/4" diameter holes into the bottom of the J Trim before installing it on the wall. Holes should be placed 16" on center.

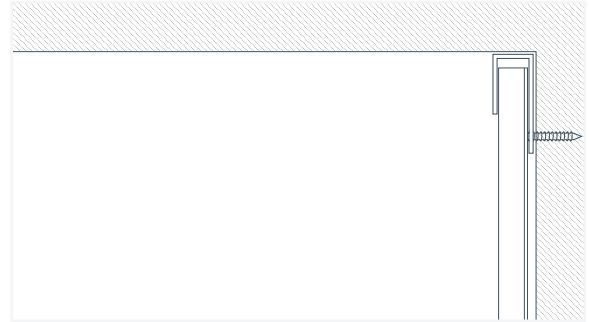
Top of Wall

J Trim

Vertical Install

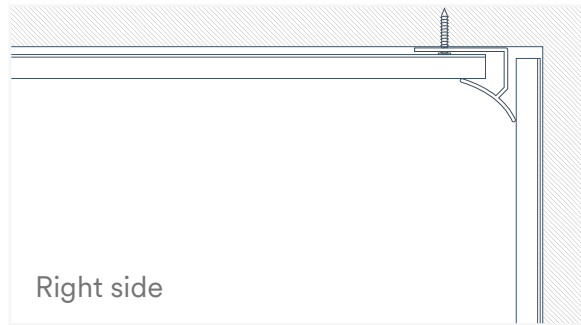


Horizontal Install

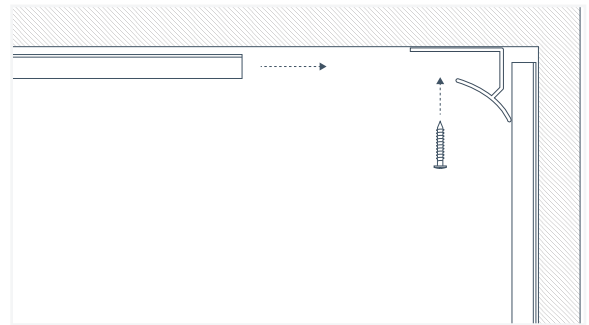


Inside Cove Corner

Vertical Install



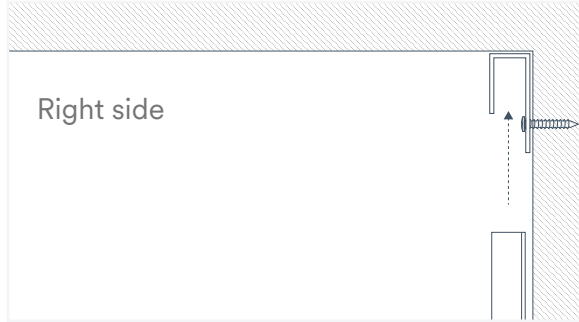
Horizontal Install



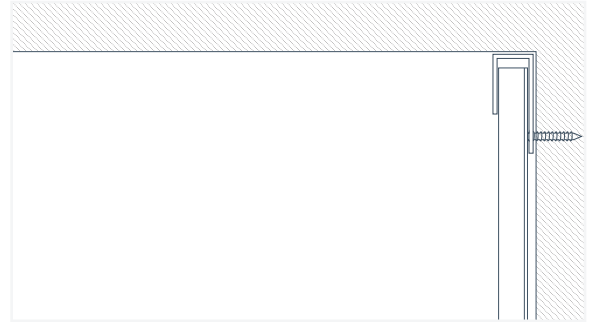
Ceiling

J Trim

Vertical Install

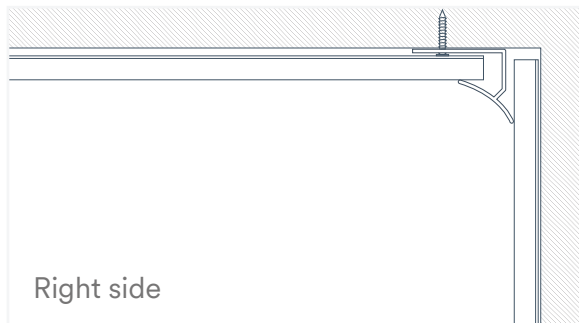


Horizontal Install

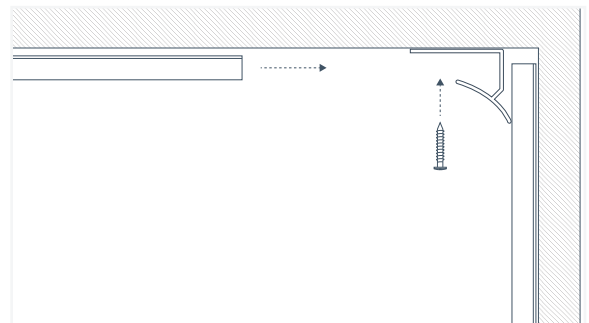


Inside Cove Corner

Vertical Install

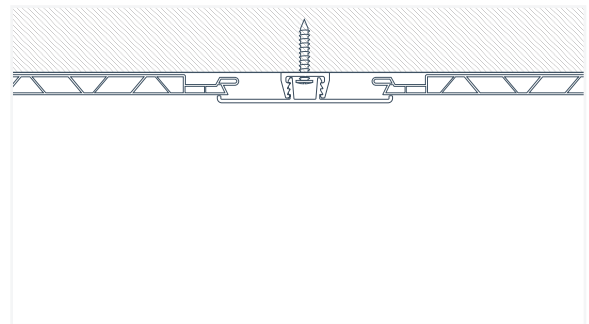
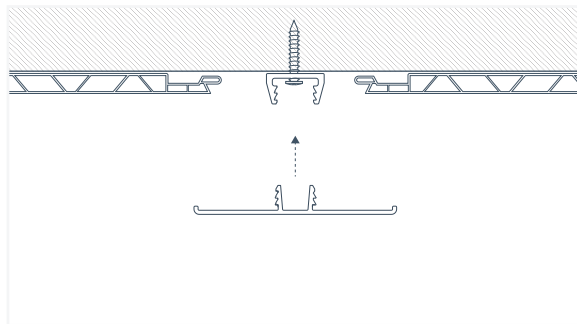
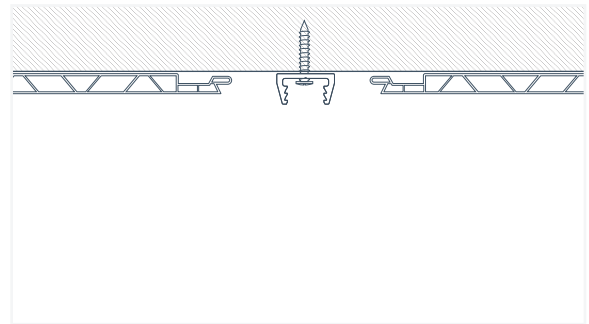
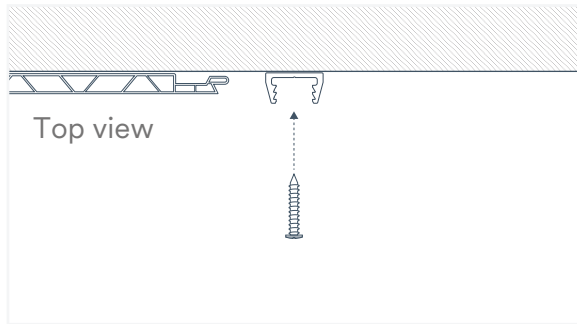


Horizontal Install



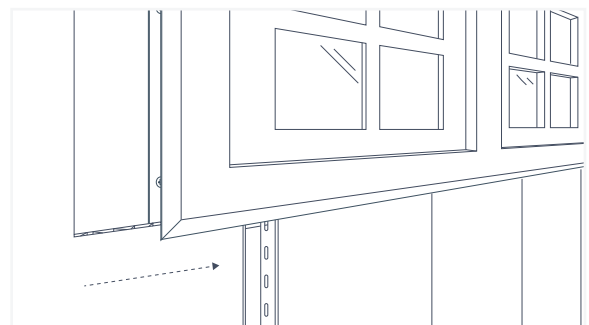
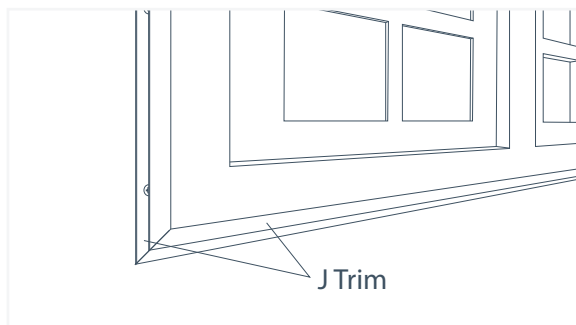
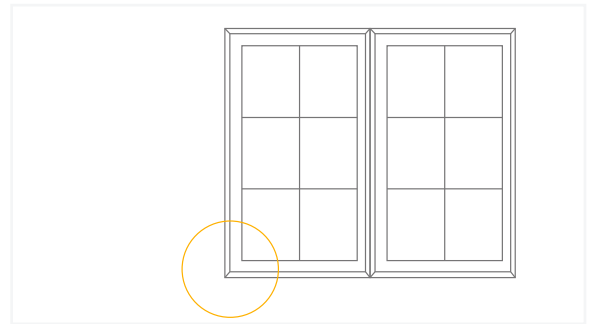
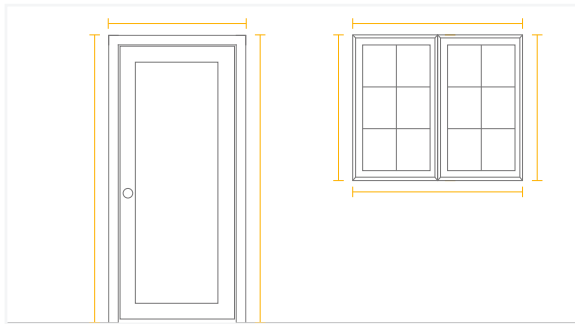
Panel Joints

H Channel Snap-In Kit



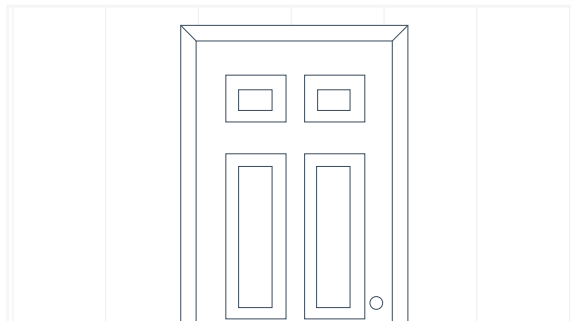
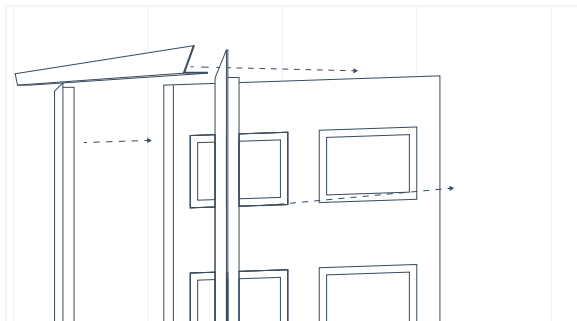
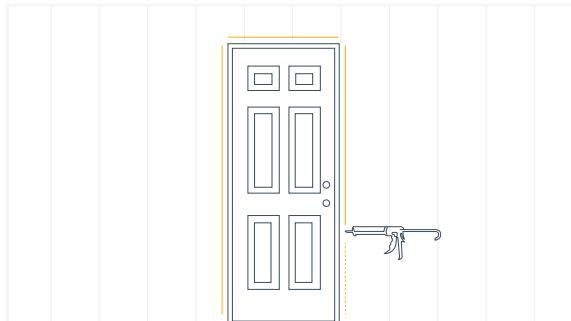
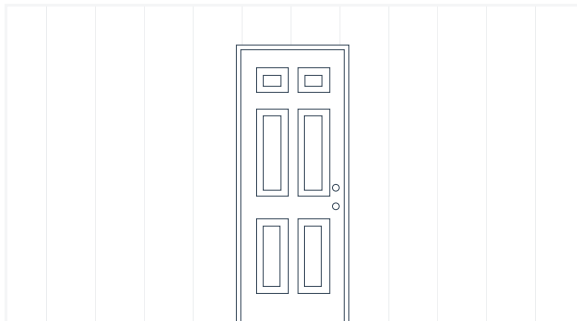
Window & Door Openings

J Trim



For information on the required spacing between Wall&CeilingBoard panels and trims, refer to [page 8 & 12](#) for ceilings and [page 9 & 11](#) for walls.

Outside Corner



How to Replace a Damaged Panel After Installation [\[Watch How\]](#)

In the unlikely situation where a panel becomes damaged after it's been installed, follow these steps to remove and replace it for a seamless finish.

The tools and materials you will need are:

- Handheld circular saw
- Tape measure
- Power drill
- Tin snips
- Putty knife
- Silicone, clear or white
- A Trusscore Wall&CeilingBoard panel that matches the length of the damaged panel

1. Set the depth of the handheld circular saw to half an inch, which is the thickness of a Trusscore Wall&CeilingBoard panel.
2. Using the saw, cut through the center of the damaged panel, parallel to the panel joints (Fig. 39).

Pro Tip: Stop cutting as you approach the ceiling, floor, or wall and carefully remove the panel from the trims using a putty knife prior to cutting the remaining panel at each end.

3. The side of the panel with the tongue should easily slide out of the adjacent panel (Fig. 40).
4. On the groove side that remains, make another cut $3/8$ " away from the panel joint in the direction of the previous cut (Fig. 41) [next page]
5. Now, tilt the adjacent panel out of the way and remove the screws from the damaged panel (Fig. 42). [next page]

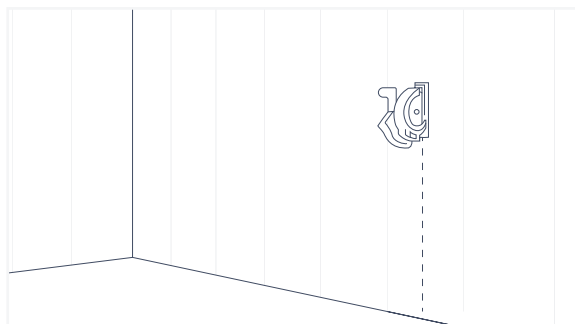


Fig. 39

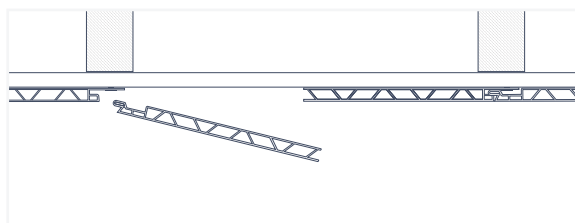


Fig. 40

6. Cut the screw flange off the replacement panel as close to the panel body as possible. It is recommended to use tin snips for this step (Fig. 43).
7. Lift the tongue of the existing adjacent panel and apply a 1/2" thick bead of silicone along the stud behind it (Fig. 44).
8. Then apply a smaller, 1/4" thick bead of silicone directly on top of the tongue of the existing adjacent panel (Fig.45). If you're using a backer, applying silicone to the back of the replacement panel is also recommended (Fig. 46).
9. Insert the tongue end of the replacement panel in first, using a putty knife to pry open any adjacent trims if needed (Fig.47). Then, simply place the groove end of the replacement panel on top of the tongue (with the bead of silicone) of the adjacent panel (Fig. 48).
10. Apply moderate uniform pressure along the seam of the replacement panel and the adjacent panel where the silicone was used to ensure best adhesion (Fig.49). If using a backer, apply the same pressure across the face of the replacement panel as well. Wipe away any excess silicone from the joint to complete the installation.

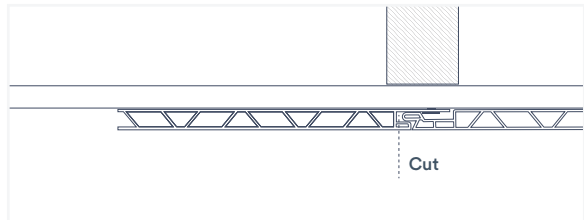


Fig. 41

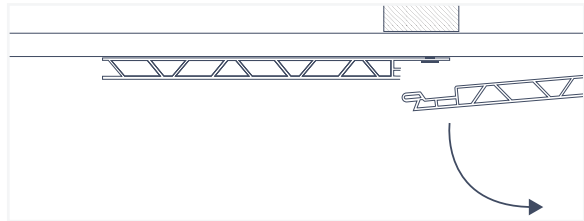


Fig. 42

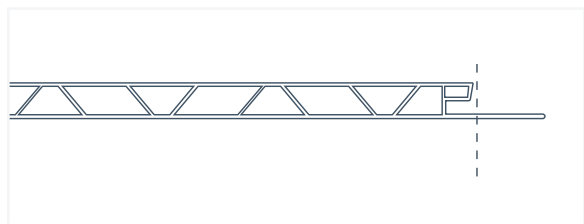


Fig. 43

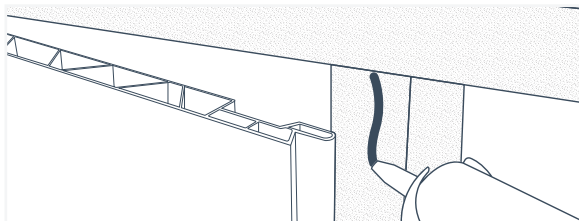


Fig. 44

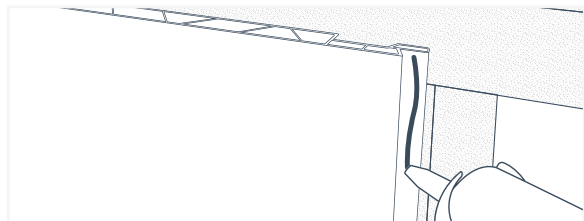


Fig. 45

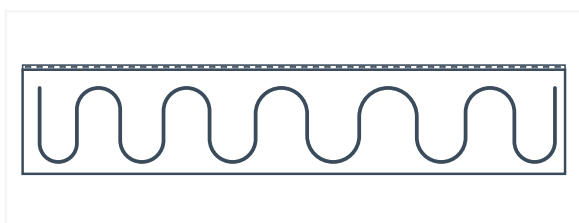


Fig. 46

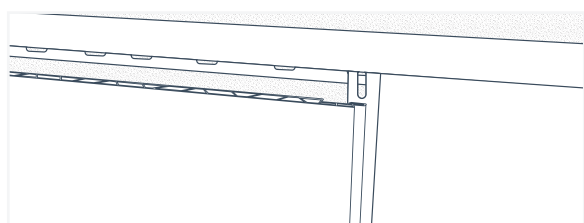


Fig. 47

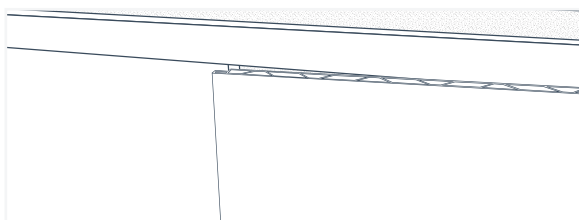


Fig. 48

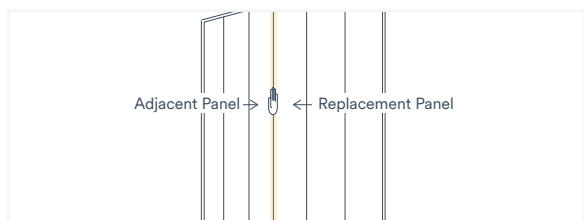


Fig. 49

How to Fasten Items (Pictures, Shelves) to Trusscore Wall&CeilingBoard

If you're looking to decorate or organize your space by hanging some pictures or shelving, we recommend using Trusscore SlatWall, which integrates seamlessly with Trusscore Wall&CeilingBoard panels. We offer a wide range of SlatWall accessories including hooks, baskets, and shelves that snap into place with ease.

If Trusscore SlatWall doesn't meet your needs or you've already installed Trusscore Wall&CeilingBoard and must mount or fasten items to the product, follow these steps.

The tools and materials you will need are:

- Handheld saw (i.e., multi-tool oscillating saw, or jig saw)
- Tape measure
- Power drill
- Screwdriver (Phillips)
- Chosen mounting device
- Stud finder

When hanging an item directly on a Trusscore Wall&CeilingBoard panel, items should never be directly fastened without back-support.

When hanging lightweight items (i.e., less than 30 pounds) directly from Trusscore Wall&CeilingBoard, we recommend using adhesive hooks such as Command™ Hooks or using spring toggle bolt kits (Fig. 50). [Below]

Installing Spring Toggle Bolts

1. Drill a hole through the Trusscore Wall&CeilingBoard and any backer material if applicable (Fig. 51). The hole size is dependent on the size of toggle bolt you are using. This should be indicated on the toggle bolt packaging.
2. Put the bolt through whatever mounting device you are using and ensure the end of the bolt is screwed into the center of the toggle so that the wings can be folded down on to the threads of the bolt (Fig. 52).
3. Fold the wings down and insert the end of the bolt into the hole. Push the entire assembly into the hole until you feel the wings pop out behind the Wall&CeilingBoard panel or backer material (Fig. 53).
4. Lightly pull forward on the entire assembly until you feel the wings grip against the back of the Wall&CeilingBoard panel or backer material and then proceed to tighten the bolt until the assembly is tight to the wall (Fig. 54).

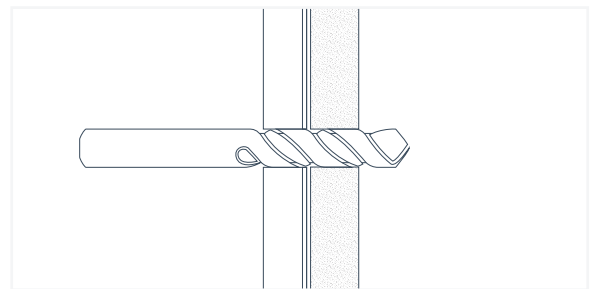


Fig. 51

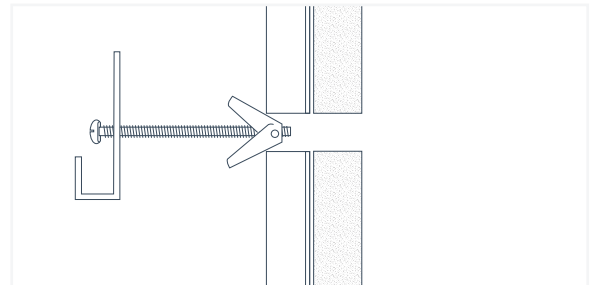


Fig. 52

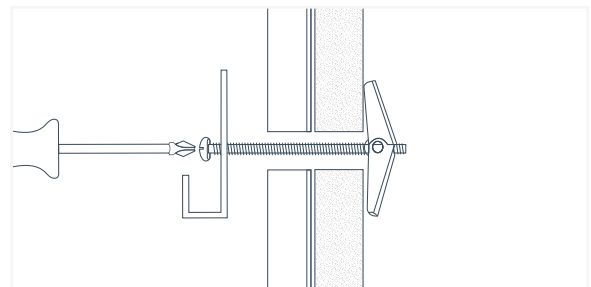


Fig. 53

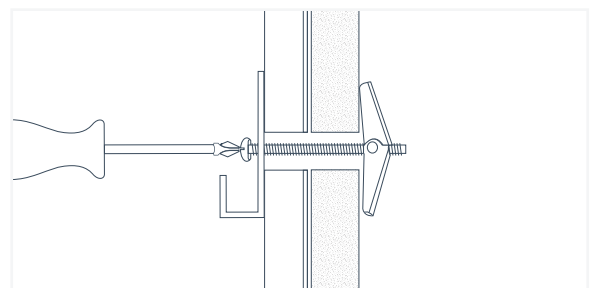


Fig. 54

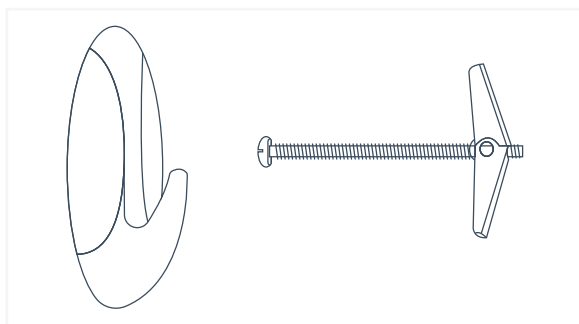


Fig. 50

Moderate weight items (between 30 and 50 pounds) (Fig. 55) should be fastened directly to the supporting structure of the wall or ceiling (i.e., studs or joists) through the Trusscore panel (Fig. 56). [\[Watch How\]](#) Mounting holes should be slightly oversized to accommodate expansion and contraction of the product.

Wall stud locations can be found at the seams of Wall&CeilingBoard panels when installed vertically (Fig. 57). When panels are installed horizontally on the wall or in the case of ceilings where panels are often installed perpendicular to the joists, a stud finder or a strong magnet can be used to locate screws indicating a stud or ceiling joist location (Fig. 58).

Heavy Items

Heavyweight items (over 50 pounds) should be mounted directly to the supporting structure to avoid crushing your Trusscore panels.

You can cut away the Trusscore at the mounting points and then use metal spacers to keep the heavy items flush to the Trusscore panels but not crush them.

1. Locate the wall studs or ceiling joists as mentioned above.
2. Measure and mark where the mounting points are located. (Fig. 59)
3. Use metal spacers large enough to fit around the mounting screw or bolt provided (i.e., stack of washers or nuts).
4. Using a drill or hole saw, cut holes where the mounting points are located. Mounting holes should be large enough so the spacers fit inside and slightly oversized to accommodate expansion and contraction of the surrounding panels. (Fig. 60)
5. Use enough spacers so they protrude from the hole just past the Trusscore panel.
6. Fasten the item to the wall with the spacers behind. (Fig. 61)

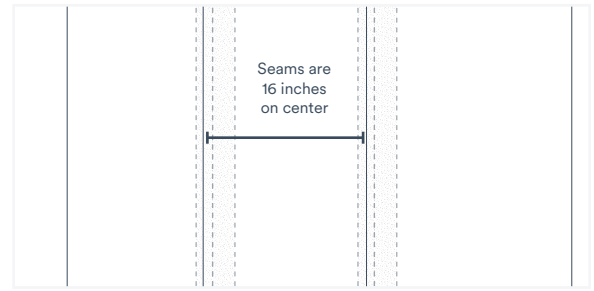


Fig. 57

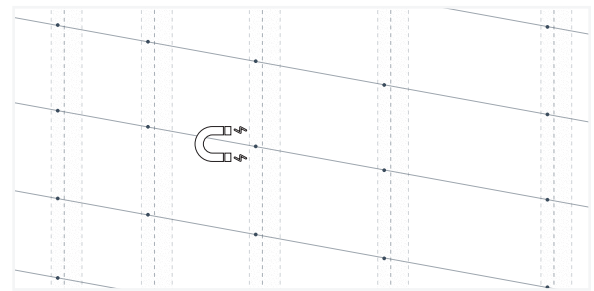


Fig. 58

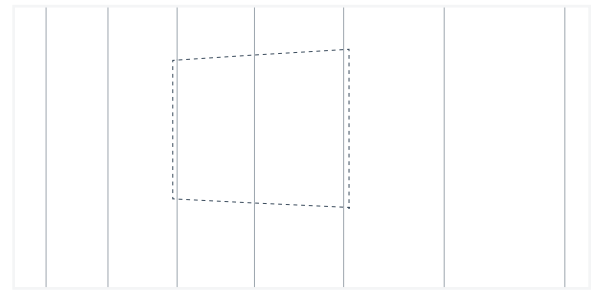


Fig. 59

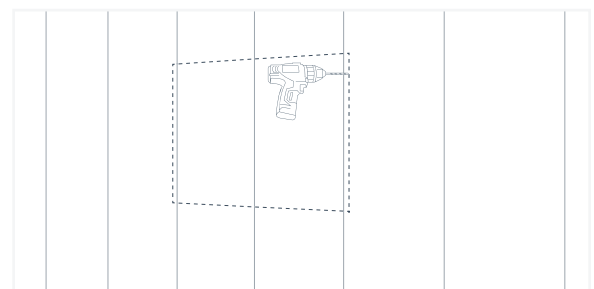


Fig. 60

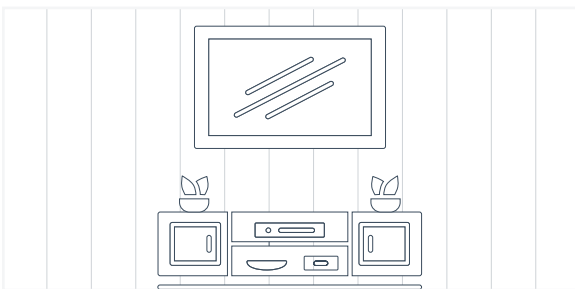


Fig. 55

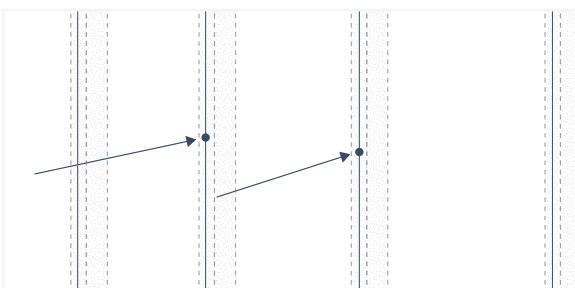


Fig. 56

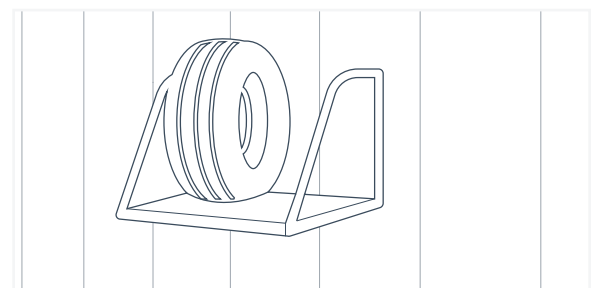


Fig. 61z

Cleaning

Here are some guidelines to help you handle any level of dirt your product encounters.

Day-to-Day Cleaning

To remove common dirt and maintain your Trusscore product's beautiful appearance, wash using a sponge or soft cloth and a mild cleaning solution. View the [Cleaning & Disinfecting Guidelines](#)

Abrasive cleaning pads/cloths should not be used as they could scratch or alter the surface of the product.

If the dirt is difficult to remove, wipe clean with a solution of:

- 1/3 cup laundry detergent (e.g. Tide®)
- 2/3 cup tri-sodium phosphate (e.g. TSP®)
- 3.79 L (1 Gallon) of water

Swiffer® Dusters™ are very helpful in removing dust from Trusscore Wall&CeilingBoard.

Mr. Clean® Magic Erasers™ can be used to remove marks on Trusscore Wall&Ceilingboard.

Pressure Washing

When hand cleaning doesn't get the job done, pressure washers may be used with mild soap and a sponge or soft cloth, provided the guidelines below are followed:

- Power washing nozzle should be at least 4-6 ft away from the wall
- Use a small-to mid-size power washer with less than 3,000 psi
- Use a wide spray nozzle angle (40° or greater is preferred) to distribute the water pressure across the wall

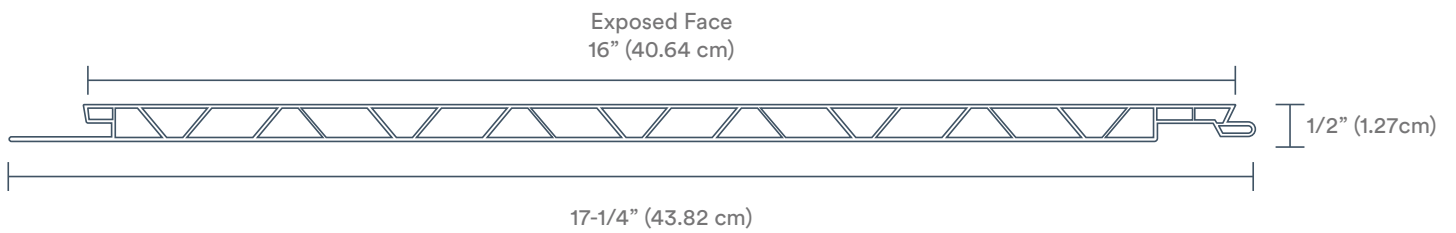
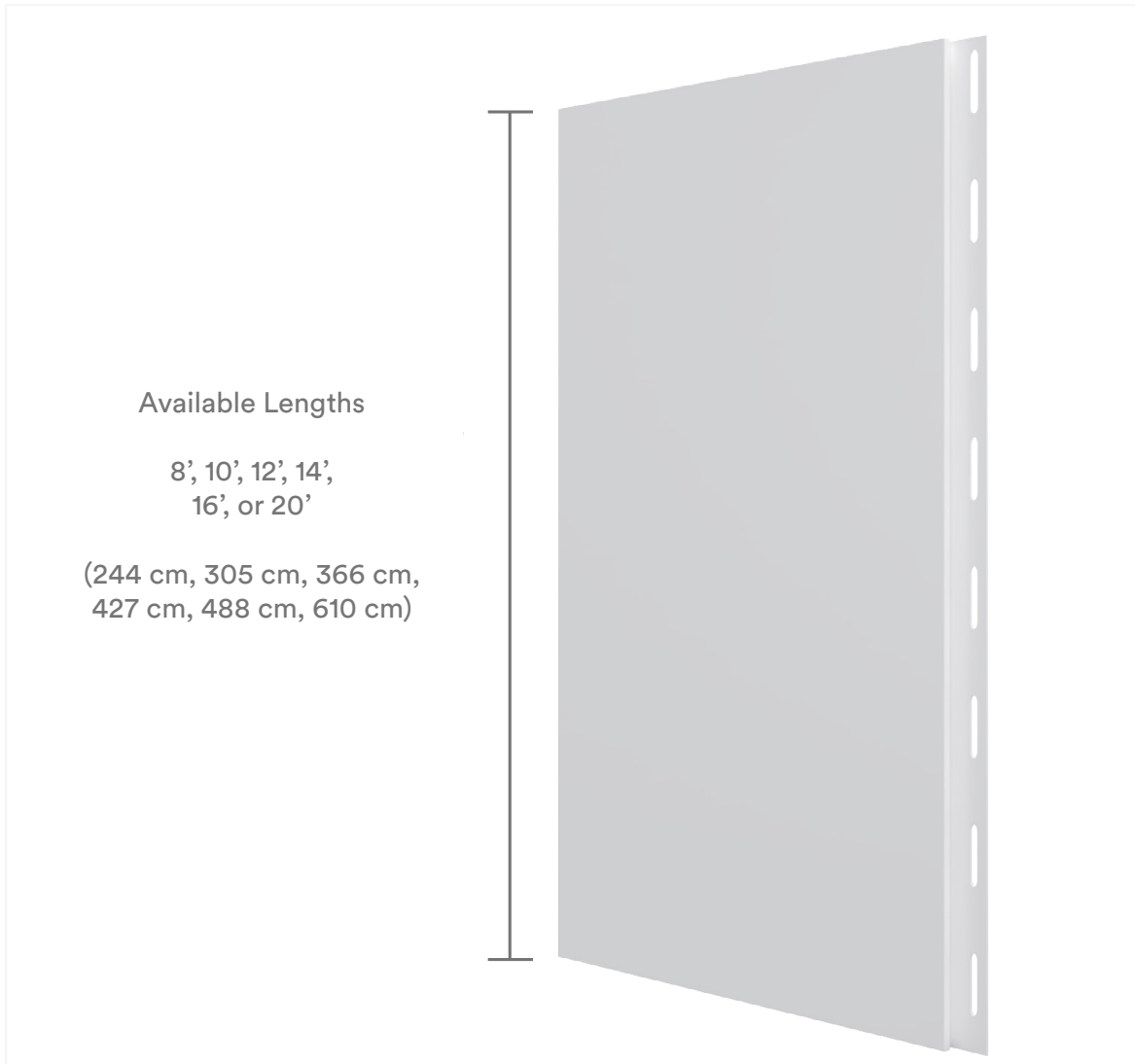
Disclaimers

The manufacturer is not responsible for problems related to expansion due to temperature fluctuations. If wide temperature fluctuations exist in the area of the Trusscore installation, allow for expansion and contraction gaps in moldings and perimeter. Before installation, Trusscore Wall&CeilingBoards and trims should be acclimatized to minimize expansion and contraction issues.

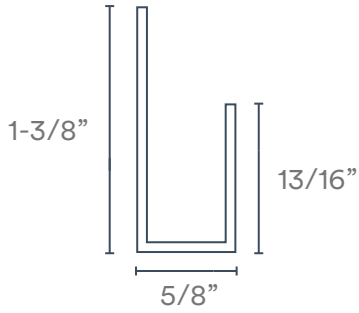
As part of our focus on continuous innovation, Trusscore leverages advancements in material science to improve the performance and environmental impact of our products. Through the use of zero wastewater production processes, incorporation of recycled material in our products, and commitment to using raw materials with low environmental impact we are developing more sustainable building products.

Our drive to continually develop better-looking, better-performing, and more sustainable products can result in minor changes to the color and texture of our products when compared to previously manufactured products. Therefore, install products of the same package and/or pallet when completing your project to ensure the best possible results to minimize any minor variations.

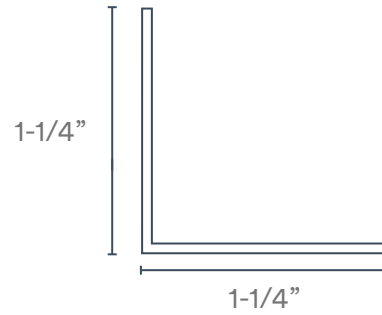
Specifications



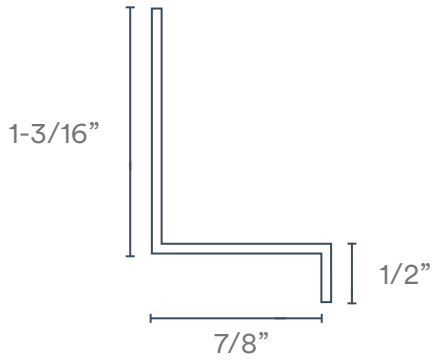
Trim Dimensions



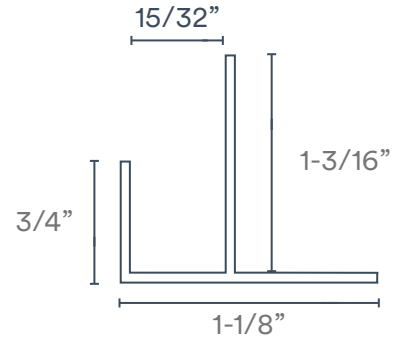
1/2" J Trim



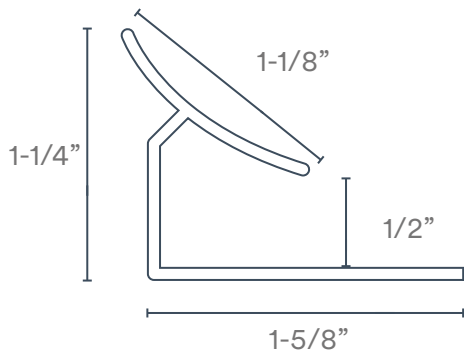
Outside Corner



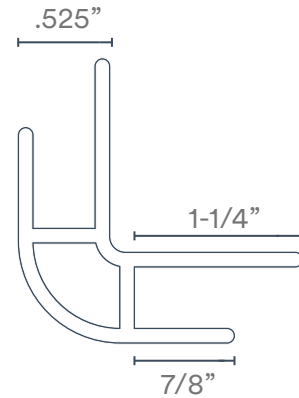
Base Trim



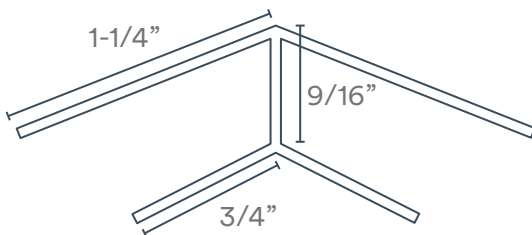
F Trim



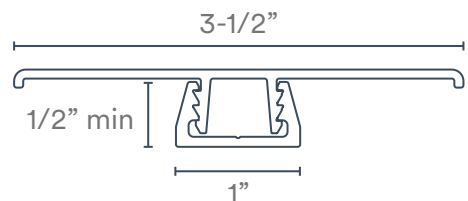
Inside Cove Corner



Outside Corner Rounded



45° H Channel



**H Channel
Snap-In Kit**



trusscore.com

Learn more about Trusscore
trusscore.com | hello@trusscore.com | 1.888.418.4679

Copyright © 2025 Trusscore Inc. Trusscore, Trusscore Wall&CeilingBoard, and Trusscore SlatWall are trademarks of Trusscore Inc. All other trademarks are the property of their respective owners. Specifications are subject to change. T-IG101-011 09/2025